

Last Modified: 12-04-2024	6.11:8.1.0	Doc ID: RM1000000029HI2
Model Year Start: 2023	Model: Prius	Prod Date Range: [12/2022 -]
Title: REAR SUSPENSION: REAR LOWER ARM (for HEV Model 2WD): INSTALLATION; 2023 - 2024 MY Prius [12/2022 -]		

INSTALLATION

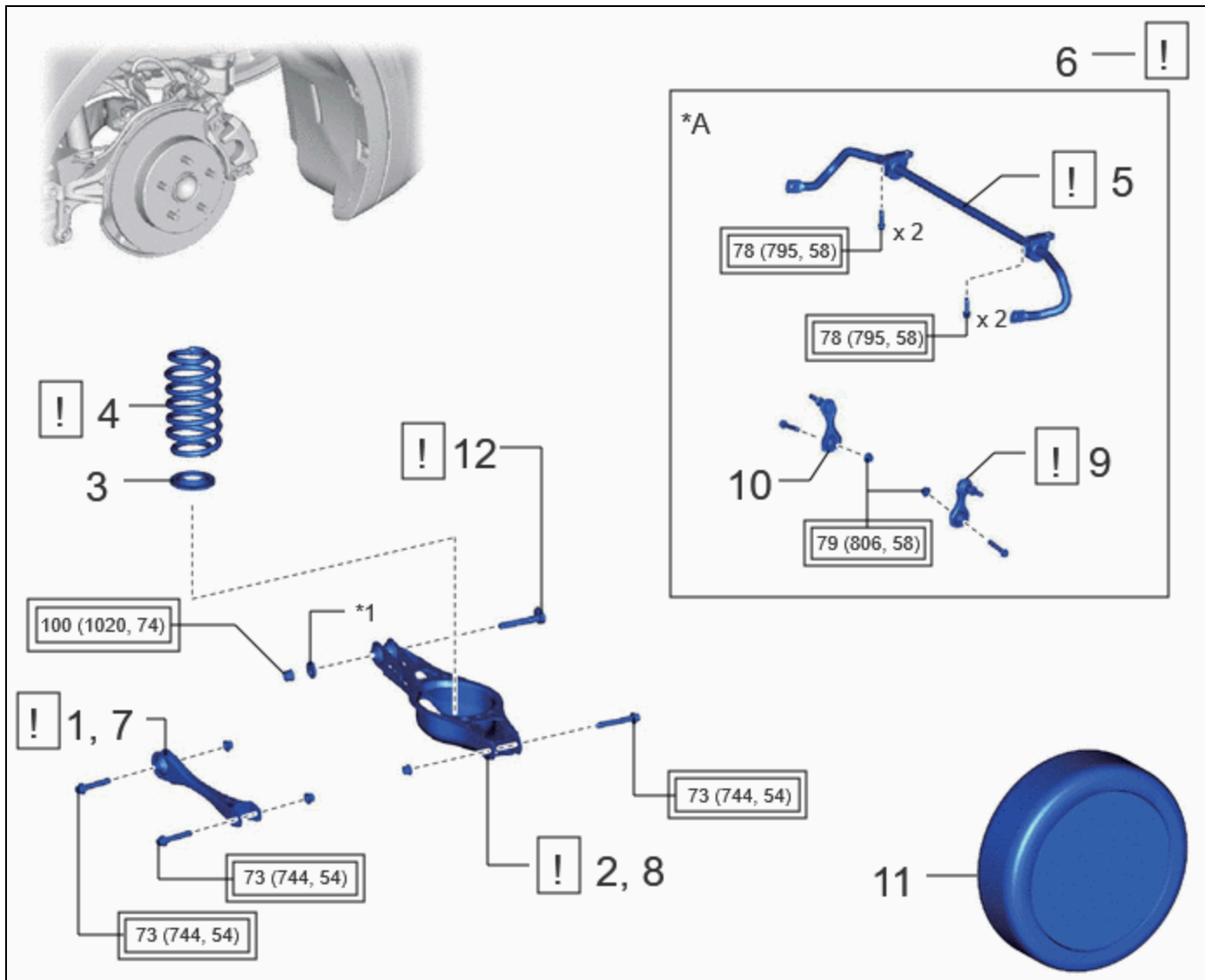
CAUTION / NOTICE / HINT




HINT:

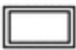
- Use the same procedure for the RH side and LH side.
- The following procedure is for the LH side.

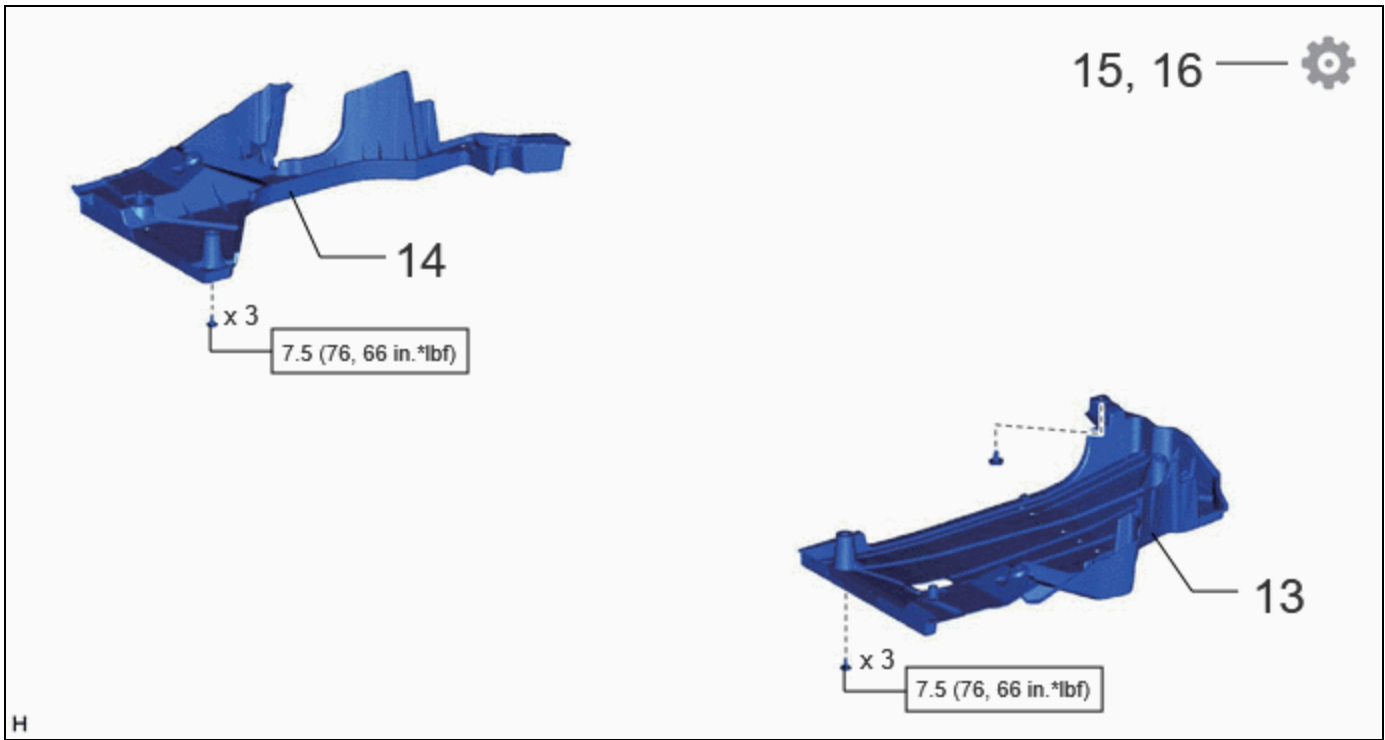
CAUTION / NOTICE / HINT

COMPONENTS (INSTALLATION)



PROCEDURE		PART NAME CODE			
1	TEMPORARILY INSTALL REAR NO. 1 SUSPENSION ARM ASSEMBLY	48720A	INFO	-	-
2	TEMPORARILY INSTALL REAR NO. 2 SUSPENSION ARM ASSEMBLY	48740F	INFO	-	-
3	REAR LOWER COIL SPRING INSULATOR	48258C	-	-	-
4	REAR COIL SPRING	48231B	INFO	-	-
5	REAR STABILIZER BAR	48812	INFO	-	-
6	STABILIZE SUSPENSION	-	INFO	-	-
7	INSTALL REAR NO. 1 SUSPENSION ARM ASSEMBLY	48720A	INFO	-	-
8	INSTALL REAR NO. 2 SUSPENSION ARM ASSEMBLY	48740F	INFO	-	-
9	REAR STABILIZER LINK ASSEMBLY LH	48840A	INFO	-	-
10	REAR STABILIZER LINK ASSEMBLY RH	48830D	-	-	-
11	REAR WHEEL	-	-	-	-
12	REAR SUSPENSION TOE ADJUST CAM SUB-ASSEMBLY	48409	INFO	-	-

*A	w/ Stabilizer Bar	-	-
*1	NO. 2 CAMBER ADJUST CAM	-	-
	Tightening torque for "Major areas involving basic vehicle performance such as moving/turning/stopping": N*m (kgf*cm, ft.*lbf)	-	-

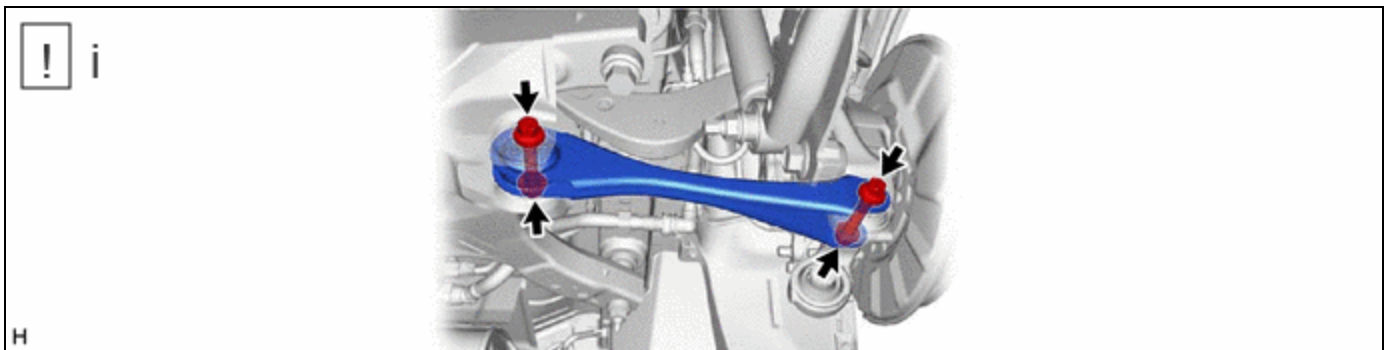


PROCEDURE		PART NAME CODE			
13	REAR FLOOR SIDE MEMBER COVER LH	57628E	-	-	-
14	REAR FLOOR SIDE MEMBER COVER RH	57627G	-	-	-
15	INSPECT AND ADJUST REAR WHEEL ALIGNMENT	-	-	-	INFO
16	PERFORM INITIALIZATION	-	-	-	INFO

	N*m (kgf*cm, ft.*lbf): Specified torque	-	-
--	---	---	---

PROCEDURE

1. TEMPORARILY INSTALL REAR NO. 1 SUSPENSION ARM ASSEMBLY

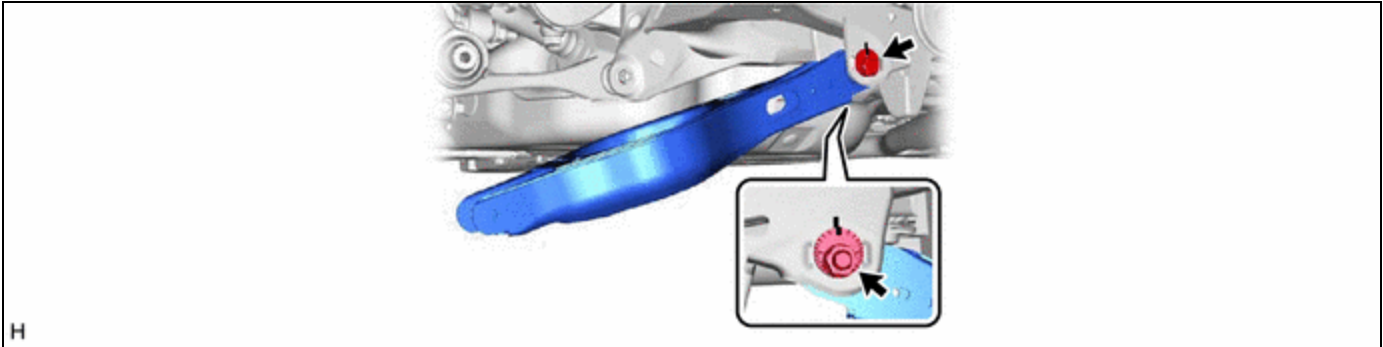


(1) Temporarily install the rear No. 1 suspension arm assembly to the rear axle carrier sub-assembly and rear suspension member sub-assembly with the 2 bolts and 2 nuts.

NOTICE:

- Because the nut has its own stopper, do not turn the nut. Tighten the bolt with the nut secured.
- Insert the bolt with the threaded end facing the rear of the vehicle.

2. TEMPORARILY INSTALL REAR NO. 2 SUSPENSION ARM ASSEMBLY



(1) Temporarily install the rear No. 2 suspension arm assembly to the rear suspension member sub-assembly with the No. 2 camber adjust cam, rear suspension toe adjust cam sub-assembly and nut.

NOTICE:

- Insert the rear suspension toe adjust cam sub-assembly from the rear of the vehicle.
- When tightening the nut, keep the rear suspension toe adjust cam sub-assembly from rotating.

3. INSTALL REAR LOWER COIL SPRING INSULATOR

Click here [INFO](#)

4. INSTALL REAR COIL SPRING

	Click here INFO
--	---------------------------------

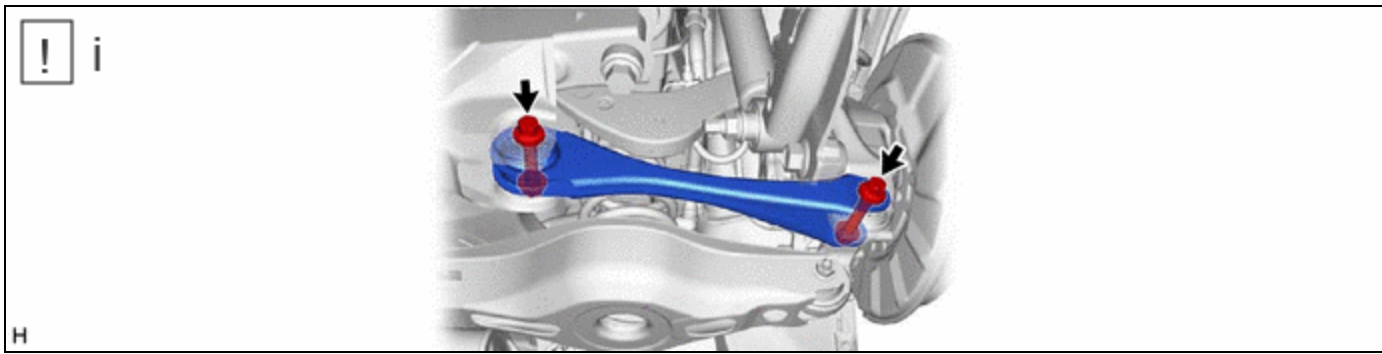
5. INSTALL REAR STABILIZER BAR (w/ Stabilizer Bar)

	Click here INFO
--	---------------------------------

6. STABILIZE SUSPENSION

	Click here INFO
--	---------------------------------

7. INSTALL REAR NO. 1 SUSPENSION ARM ASSEMBLY



(1) Install the rear No. 1 suspension arm assembly with the 2 bolts.

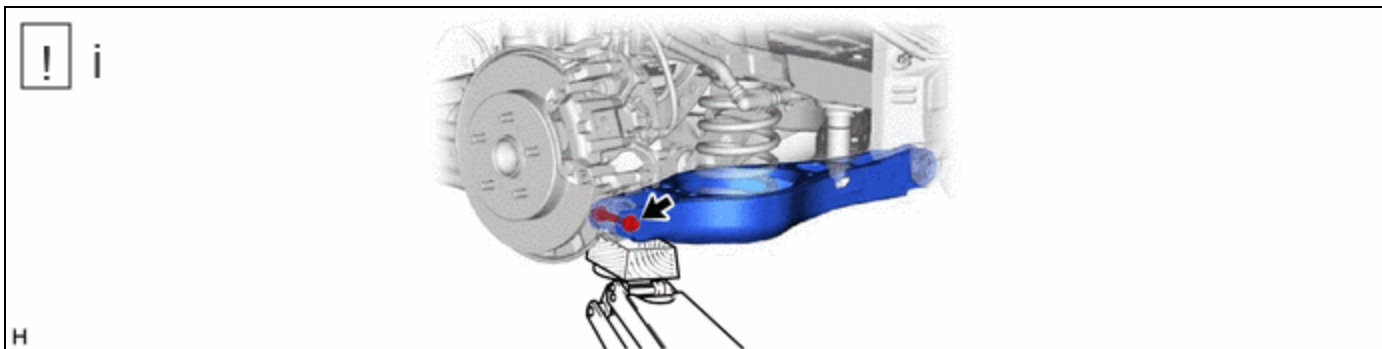
Torque:

73 N·m {744 kgf·cm, 54 ft·lbf}

NOTICE:

Because the nut has its own stopper, do not turn the nut. Tighten the bolt with the nut secured.

8. INSTALL REAR NO. 2 SUSPENSION ARM ASSEMBLY



(1) Install the rear No. 2 suspension arm assembly (rear axle carrier sub-assembly side) with the bolt.

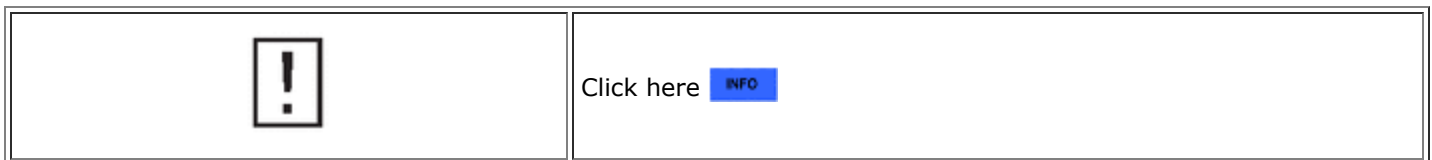
Torque:

73 N·m {744 kgf·cm, 54 ft·lbf}

NOTICE:

Because the nut has its own stopper, do not turn the nut. Tighten the bolt with the nut secured.

9. INSTALL REAR STABILIZER LINK ASSEMBLY LH (w/ Stabilizer Bar)

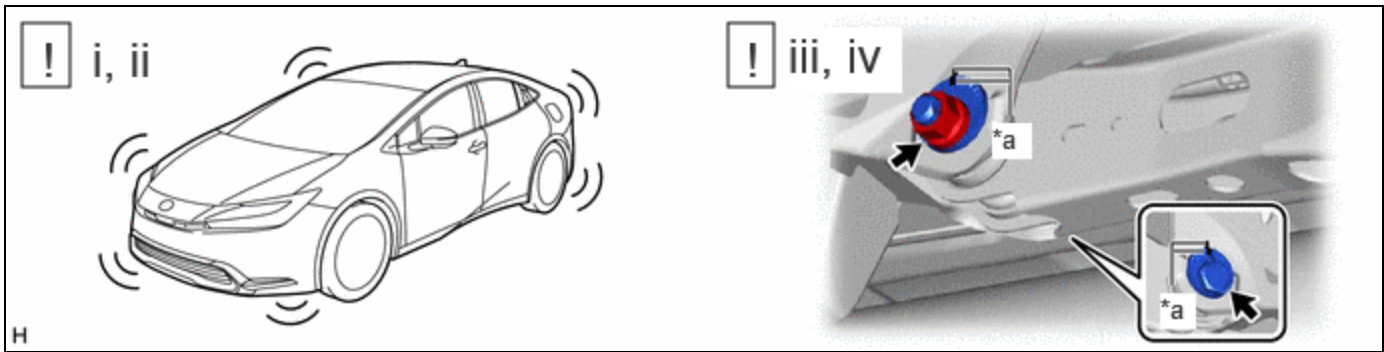


10. INSTALL REAR STABILIZER LINK ASSEMBLY RH (w/ Stabilizer Bar)

11. INSTALL REAR WHEEL

Click here [INFO](#)

12. INSTALL REAR SUSPENSION TOE ADJUST CAM SUB-ASSEMBLY



*a	Matchmark	-	-
----	-----------	---	---

- (1) Lower the vehicle to the ground.
- (2) Bounce the vehicle up and down at the corners to stabilize the rear suspension.
- (3) Align the matchmarks on the No. 2 camber adjust cam, rear suspension toe adjust cam sub-assembly and rear suspension member sub-assembly.
- (4) Fully tighten the nut.

Torque:

100 N·m {1020 kgf·cm, 74 ft·lbf}

NOTICE:

- Hold the rear suspension toe adjust cam sub-assembly while rotating the nut.
- Make sure that the vehicle is unloaded when fully tightening the nut.

13. INSTALL REAR FLOOR SIDE MEMBER COVER LH

Click here [INFO](#)

14. INSTALL REAR FLOOR SIDE MEMBER COVER RH

Click here [INFO](#)

15. INSPECT AND ADJUST REAR WHEEL ALIGNMENT

Click here [INFO](#)

16. PERFORM INITIALIZATION

Parking Assist Monitor System	INFO
Panoramic View Monitor System	INFO
Advanced Park	INFO

