

Last Modified: 12-04-2024	6.11:8.1.0	Doc ID: RM100000002BCO8
Model Year Start: 2023	Model: Prius Prime	Prod Date Range: [03/2023 -]
Title: REAR SUSPENSION: REAR COIL SPRING: INSTALLATION; 2023 - 2024 MY Prius Prius Prime [03/2023 -]		

INSTALLATION

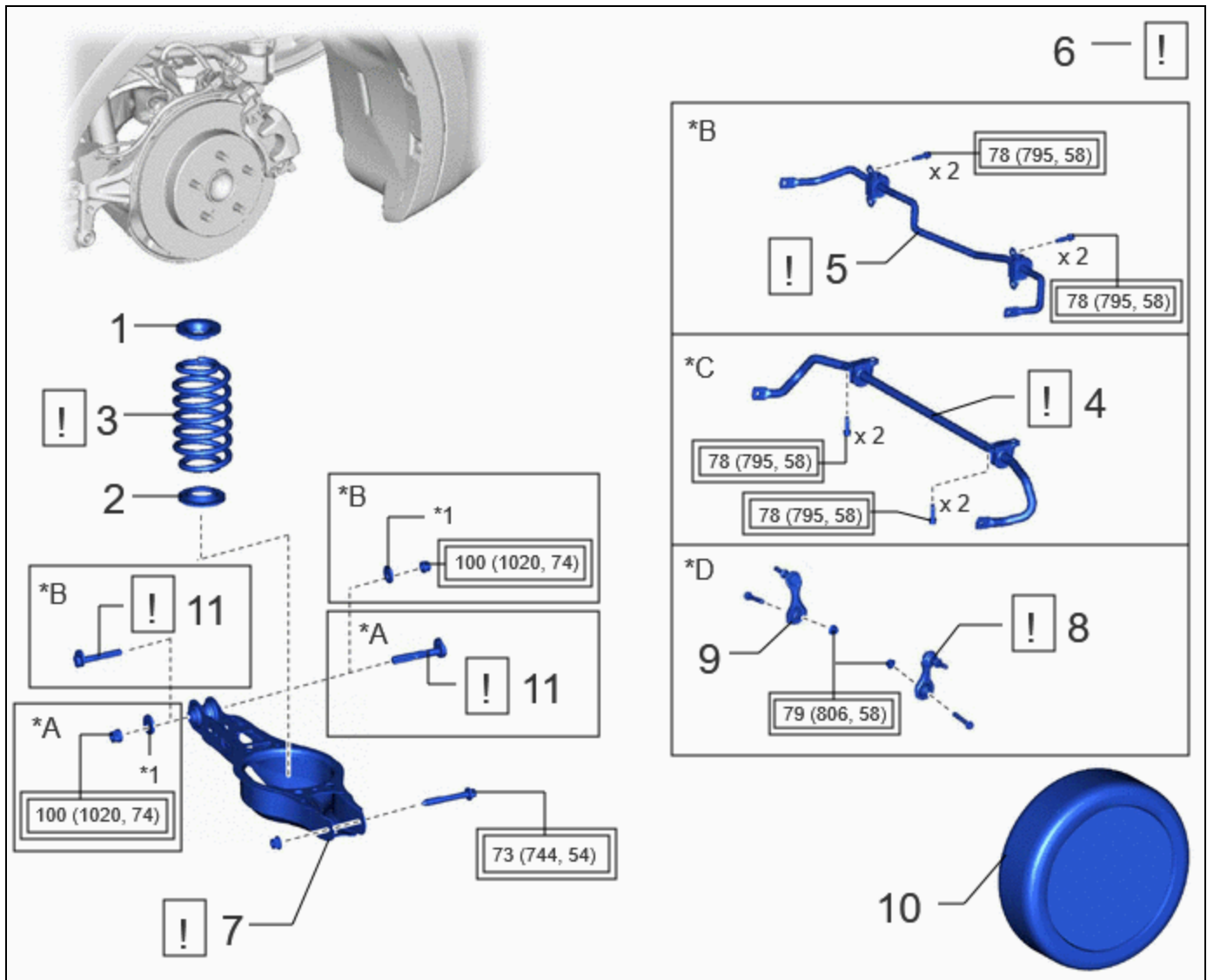
CAUTION / NOTICE / HINT




HINT:


- Use the same procedure for the RH side and LH side.
- The following procedure is for the LH side.

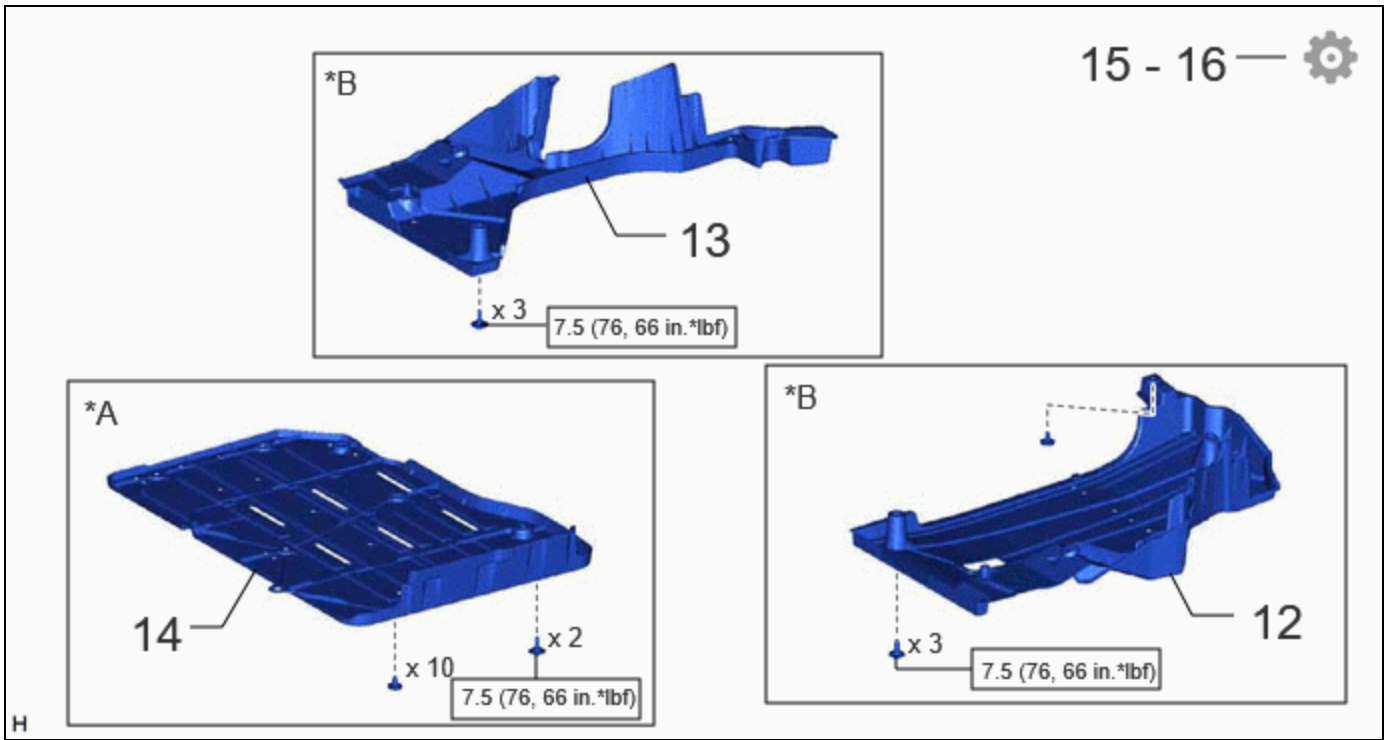
CAUTION / NOTICE / HINT

COMPONENTS (INSTALLATION)



PROCEDURE		PART NAME CODE			
1	REAR UPPER COIL SPRING INSULATOR	48259A	-	-	-
2	REAR LOWER COIL SPRING INSULATOR	48258C	-	-	-
3	REAR COIL SPRING	48231B	INFO	-	-
4	REAR STABILIZER BAR (for HEV Model 2WD with Stabilizer Bar)	48812	INFO	-	-
5	REAR STABILIZER BAR (for HEV Model AWD, PHEV Model)	48812	INFO	-	-
6	STABILIZE SUSPENSION	-	INFO	-	-
7	REAR NO. 2 SUSPENSION ARM ASSEMBLY	48740F	INFO	-	-
8	REAR STABILIZER LINK ASSEMBLY LH	48840A	INFO	-	-
9	REAR STABILIZER LINK ASSEMBLY RH	48830D	INFO	-	-
10	REAR WHEEL	-	-	-	-
11	REAR SUSPENSION TOE ADJUST CAM SUB-ASSEMBLY	48409	INFO	-	-

*A	for HEV Model 2WD	*B	for HEV Model AWD, PHEV Model
*C	for HEV Model 2WD with Stabilizer Bar	*D	w/ Stabilizer Bar
*1	NO. 2 CAMBER ADJUST CAM	-	-
	Tightening torque for "Major areas involving basic vehicle performance such as moving/turning/stopping": N*m (kgf*cm, ft.*lbf)	-	-

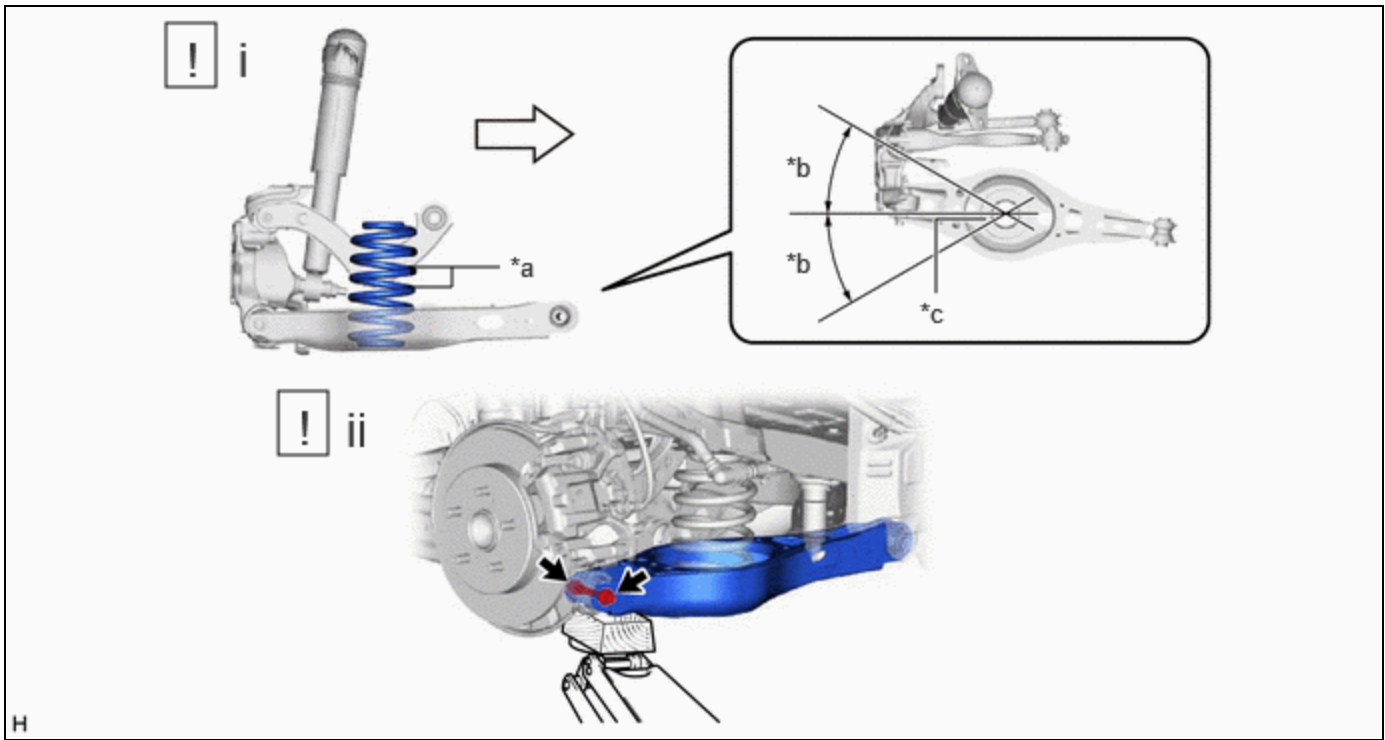


PROCEDURE		PART NAME CODE			
12	REAR FLOOR SIDE MEMBER COVER LH	57628E	-	-	-
13	REAR FLOOR SIDE MEMBER COVER RH	57627G	-	-	-
14	BATTERY BOX COVER	58219K	-	-	-
15	INSPECT AND ADJUST REAR WHEEL ALIGNMENT	-	-	-	INFO
16	PERFORM INITIALIZATION	-	-	-	INFO

*A	for PHEV Model	*B	for HEV Model
	N*m (kgf*cm, ft.*lbf): Specified torque	-	-

PROCEDURE

1. INSTALL REAR UPPER COIL SPRING INSULATOR
2. INSTALL REAR LOWER COIL SPRING INSULATOR
3. INSTALL REAR COIL SPRING



*a	Identification Mark	*b	30° or less
*c	Lower End of Rear Coil Spring	-	-
	Inner Side of the Vehicle	-	-

(1) Set the rear coil spring to the rear No. 2 suspension arm assembly.

NOTICE:

- Set the rear coil spring so that its lower end is within the range shown in the illustration.
- Set the rear coil spring so that the identification mark is positioned as shown in the illustration.
- The smaller diameter end must face upward.

(2) Using a jack and wooden block, slowly jack up the rear No. 2 suspension arm assembly and then install the rear No. 2 suspension arm assembly to the rear axle carrier sub-assembly with the bolt and nut.

CAUTION:

Do not jack up the rear No. 2 suspension arm assembly too high as the vehicle may fall.


NOTICE:

- Because the nut has its own stopper, do not turn the nut. Tighten the bolt with the nut secured.
- When jacking up the rear No. 2 suspension arm assembly, be sure to jack it up slowly.
- Make sure to perform this operation with the vehicle kept as low as possible.
- Insert the bolt with the threaded end facing the front of the vehicle.

4. INSTALL REAR STABILIZER BAR (for HEV Model 2WD with Stabilizer Bar)

Click here [INFO](#)

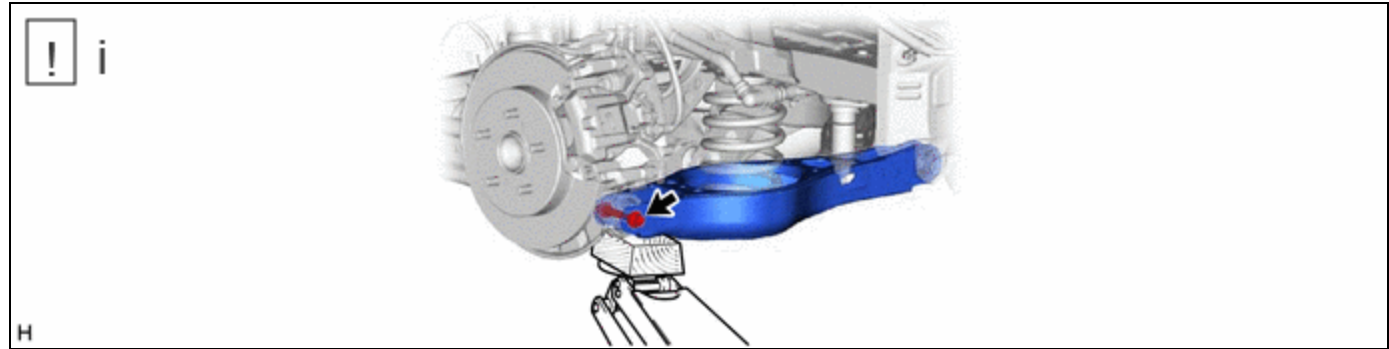
5. INSTALL REAR STABILIZER BAR (for HEV Model AWD, PHEV Model)

	Click here INFO
---	---------------------------------

6. STABILIZE SUSPENSION

	Click here INFO
---	---------------------------------

7. INSTALL REAR NO. 2 SUSPENSION ARM ASSEMBLY



(1) Install the rear No. 2 suspension arm assembly (rear axle carrier sub-assembly side) with the bolt.


Torque:

73 N·m {744 kgf·cm, 54 ft·lbf}

NOTICE:

Because the nut has its own stopper, do not turn the nut. Tighten the bolt with the nut secured.

8. INSTALL REAR STABILIZER LINK ASSEMBLY LH (w/ Stabilizer Bar)


	Click here INFO
---	---------------------------------

9. INSTALL REAR STABILIZER LINK ASSEMBLY RH (w/ Stabilizer Bar)

10. INSTALL REAR WHEEL

Click here [INFO](#)

11. INSTALL REAR SUSPENSION TOE ADJUST CAM SUB-ASSEMBLY

	for HEV Model 2WD: Click here INFO for AWD LH Side: Click here INFO for AWD RH Side: Click here INFO for PHEV Model: Click here INFO
---	---

12. INSTALL REAR FLOOR SIDE MEMBER COVER LH (for HEV Model)

Click here [INFO](#)

13. INSTALL REAR FLOOR SIDE MEMBER COVER RH (for HEV Model)

Click here [INFO](#)

14. INSTALL BATTERY BOX COVER (for PHEV Model)

Click here [INFO](#)

15. INSPECT AND ADJUST REAR WHEEL ALIGNMENT

Click here [INFO](#)

16. PERFORM INITIALIZATION

Parking Assist Monitor System	INFO
Panoramic View Monitor System	INFO
Advanced Park	INFO

