

Last Modified: 12-04-2024	6.11:8.1.0	Doc ID: RM1000000029PNV
Model Year Start: 2023	Model: Prius Prime	Prod Date Range: [12/2022 -]
Title: FRONT SUSPENSION: FRONT STABILIZER BAR: INSPECTION; 2023 - 2024 MY Prius Prius Prime [12/2022 -]		

INSPECTION

PROCEDURE

1. INSPECT FRONT STABILIZER LINK ASSEMBLY

- (a) Inspect the turning torque of the ball joint.
- (1) Secure the front stabilizer link assembly in a vise using aluminum plates.

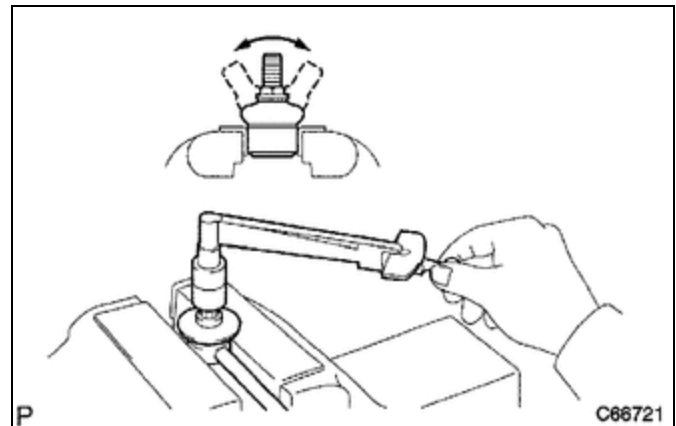
NOTICE:

Do not overtighten the vise.

- (2) Install the nut to the front stabilizer link assembly stud.
- (3) Using a torque wrench, turn the stud continuously at a rate of 3 to 5 seconds per turn and take the torque reading on the 5th turn.

Standard Turning Torque

SPECIFIED CONDITION	RESULT
0.05 to 1.96 N*m	N*m
0.6 to 19 kgf*cm	kgf*cm
0.5 to 17 in.*lbf	in.*lbf



- (4) If the turning torque is not within the specified range, replace the front stabilizer link assembly with a new one.
- (5) Turn the stud to check that the stud does not catch and there is no play
- (6) If the stud catches or there is play while turning, replace the front stabilizer link assembly with a new one.

- (b) Inspect the dust cover.

- (1) Check that the dust cover is not cracked and that there is no grease on it.
- (2) If the dust cover is cracked or there is grease on it, replace the front stabilizer link assembly with a new one.

