

| | | |
|---|---------------------------|--------------------------------------|
| Last Modified: 12-04-2024 | 6.11:8.1.0 | Doc ID: RM1000000029PNR |
| Model Year Start: 2023 | Model: Prius Prime | Prod Date Range: [12/2022 -] |
| Title: FRONT SUSPENSION: FRONT LOWER BALL JOINT: INSTALLATION; 2023 - 2024 MY Prius Prius Prime [12/2022 -] | | |

INSTALLATION

CAUTION / NOTICE / HINT

NOTICE:

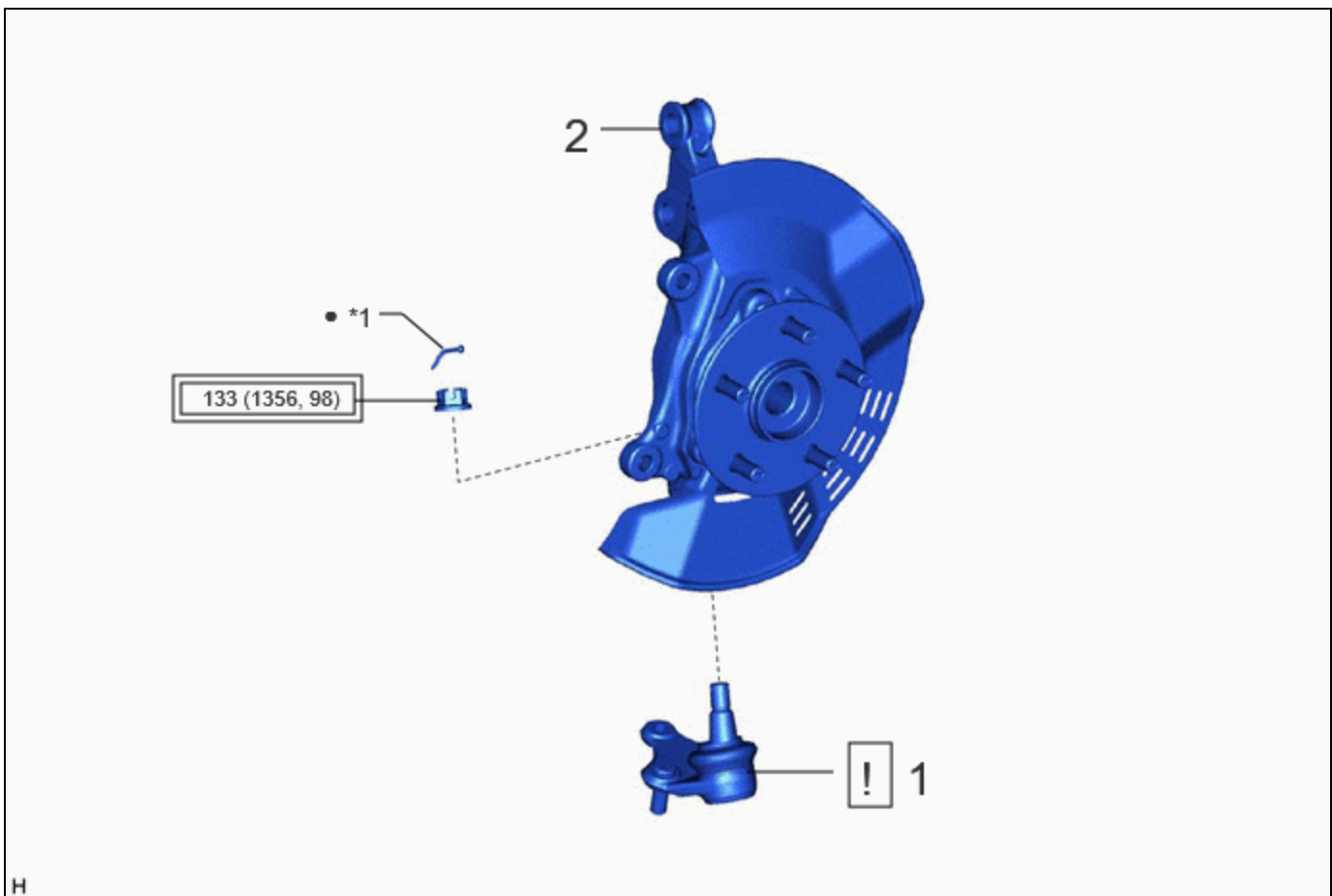
- When the brake pedal is first depressed after replacing the brake pads or pushing back the disc brake piston, DTCs may be stored. As there is no malfunction, clear the DTC.
- While the auxiliary battery is connected, even if the ignition switch is off, the brake control system activates when the brake pedal is depressed or any door courtesy switch turns on. Therefore, when servicing the brake system components, do not operate the brake pedal or open/close the doors while the auxiliary battery is connected.

HINT:




- Use the same procedure for the RH side and LH side.
- The following procedure is for the LH side.


CAUTION / NOTICE / HINT

COMPONENTS (INSTALLATION)



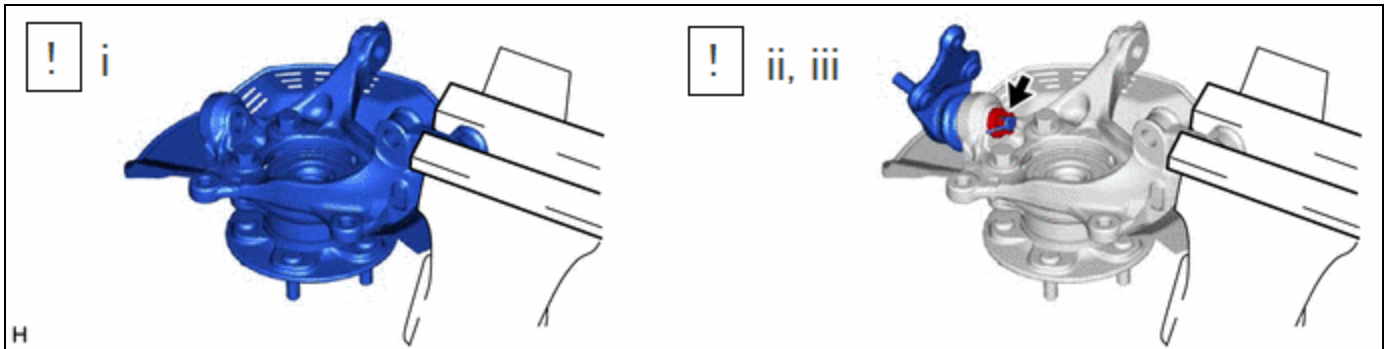
H

| | PROCEDURE | PART NAME CODE |  |  |  |
|---|---------------------------------|----------------|---|---|---|
| 1 | FRONT LOWER BALL JOINT ASSEMBLY | 43340A | INFO | - | - |
| 2 | FRONT AXLE ASSEMBLY | - | - | - | - |

| | | | |
|---|---|---|---|
| *1 | COTTER PIN | - | - |
|  | Tightening torque for "Major areas involving basic vehicle performance such as moving/turning/stopping" : N*m (kgf*cm, ft.*lbf) | - | - |
| • | Non-reusable part | - | - |

PROCEDURE

1. INSTALL FRONT LOWER BALL JOINT ASSEMBLY



(1) Secure the front axle assembly in a vise using aluminum plates.

NOTICE:

Do not overtighten the vise.

(2) Install the front lower ball joint assembly to the front axle assembly with the nut.

Torque:

133 N·m {1356 kgf·cm, 98 ft·lbf}

NOTICE:

- Do not apply lubricants to the ball joint stud taper and threads.
- Remove any foreign matter from the contact surface of the steering knuckle and ball joint stud taper.

(3) Install a new cotter pin.

NOTICE:

Further tighten the nut up to 60° if the holes for the cotter pin are not aligned.

2. INSTALL FRONT AXLE ASSEMBLY

Click here [INFO](#)

