

<b>Last Modified:</b> 12-04-2024	6.11:8.1.0	<b>Doc ID:</b> RM1000000029PNS
<b>Model Year Start:</b> 2023	<b>Model:</b> Prius Prime	<b>Prod Date Range:</b> [12/2022 - ]
<b>Title:</b> FRONT SUSPENSION: FRONT LOWER BALL JOINT: INSPECTION; 2023 - 2024 MY Prius Prius Prime [12/2022 - ]		

## INSPECTION

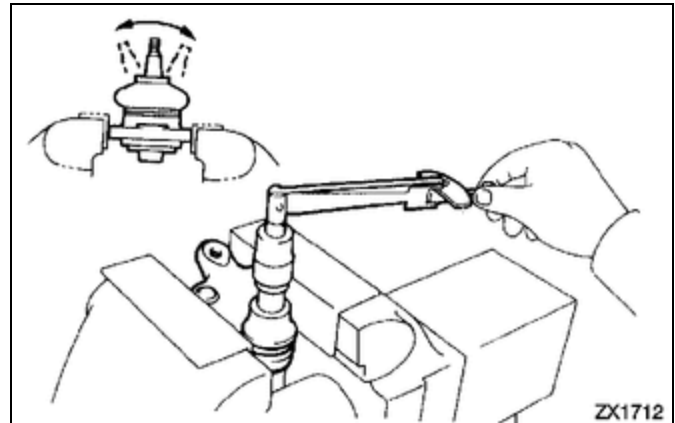
### PROCEDURE

#### 1. INSPECT FRONT LOWER BALL JOINT ASSEMBLY

- (a) Inspect the turning torque of the ball joint.
- (1) Secure the front lower ball joint assembly in a vise using aluminum plates.
  - (2) Install the nut to the front lower ball joint assembly stud.
  - (3) Using a torque wrench, turn the stud continuously at a rate of 3 to 5 seconds per turn and take the torque reading on the 5th turn.

#### Standard Turning Torque

SPECIFIED CONDITION	RESULT
0.5 to 1.9 N*m	N*m
6 to 19 kgf*cm	kgf*cm
5 to 16 in.*lbf	in.*lbf



- (4) If the turning torque is not within the specified range, replace the front lower ball joint assembly with a new one.
- (5) Turn the stud to check that the stud does not catch and there is no play.
- (6) If the stud catches or there is play while turning, replace the front lower ball joint assembly with a new one.

- (b) Inspect the dust cover.

- (1) Check that the dust cover is not cracked and that there is no grease on it.
- (2) If the dust cover is cracked or there is grease on it, replace the front lower ball joint assembly with a new one.

