

Last Modified: 12-04-2024	6.11:8.1.0	Doc ID: RM1000000029PO1
Model Year Start: 2023	Model: Prius Prime	Prod Date Range: [12/2022 -]
Title: STEERING GEAR / LINKAGE: STEERING GEAR: REMOVAL; 2023 - 2024 MY Prius Prius Prime [12/2022 -]		

REMOVAL

CAUTION / NOTICE / HINT

The necessary procedures (adjustment, calibration, initialization, or registration) that must be performed after parts are removed and installed, or replaced during steering link assembly removal/installation are shown below.

Necessary Procedures After Parts Removed/Installed/Replaced

REPLACED PART OR PERFORMED PROCEDURE	NECESSARY PROCEDURE	EFFECT/INOPERATIVE FUNCTION WHEN NECESSARY PROCEDURE NOT PERFORMED	LINK
Front wheel alignment adjustment	Perform "Calibration"	<ul style="list-style-type: none"> • DTCs are stored • ABS warning light illuminates • Brake system warning light (yellow indicator) illuminates • Slip indicator light illuminates • Electronically controlled brake system disabled or malfunctions 	INFO
Suspension parts	Rear television camera assembly optical axis (Back camera position setting)	Parking Assist Monitor System	INFO
	Parking assist ECU initialization	Panoramic View Monitor System	INFO
		Advanced Park	INFO
Tires	<ul style="list-style-type: none"> • Initialization*1*2 	Tire Pressure Warning System	Refer to Procedures Necessary When Replacing Parts (for

*: Even when not replacing the part, it is necessary to perform the specified necessary procedures after installation.

*1: Also necessary after performing a tire rotation.

*2: It is not necessary to perform this procedure if the tire pressure warning valve and transmitters are installed to the same location.

*3: The vehicle height changes because of tire replacement.

*4: If matchmarks were not placed when removing parts related to steering operation, perform end position initial setting.

REPLACED PART OR PERFORMED PROCEDURE	NECESSARY PROCEDURE	EFFECT/INOPERATIVE FUNCTION WHEN NECESSARY PROCEDURE NOT PERFORMED	LINK
	<ul style="list-style-type: none"> Tire Position Identification*1*2 		Tire Pressure Warning System) INFO
	Rear television camera assembly optical axis (Back camera position setting)	Parking Assist Monitor System	INFO
	Parking assist ECU initialization*3	Panoramic View Monitor System	INFO
Advanced Park		INFO	
<ul style="list-style-type: none"> Steering gear assembly*4 No. 2 steering intermediate shaft assembly*4 	End position initial setting	-	INFO
Front bumper assembly*	Front television camera view adjustment	Panoramic View Monitor System	INFO
		Advanced Park	INFO

*: Even when not replacing the part, it is necessary to perform the specified necessary procedures after installation.

*1: Also necessary after performing a tire rotation.

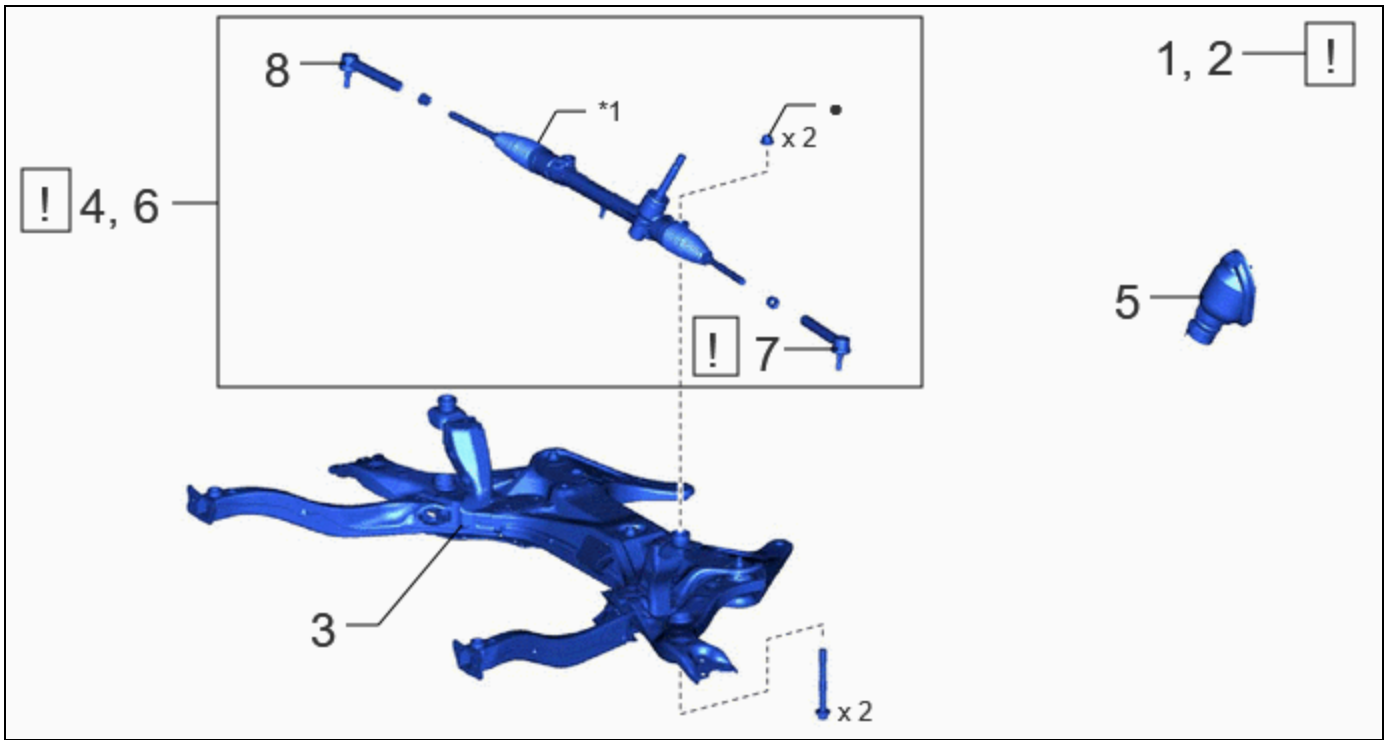
*2: It is not necessary to perform this procedure if the tire pressure warning valve and transmitters are installed to the same location.

*3: The vehicle height changes because of tire replacement.

*4: If matchmarks were not placed when removing parts related to steering operation, perform end position initial setting.

CAUTION / NOTICE / HINT

COMPONENTS (REMOVAL)



	PROCEDURE	PART NAME CODE			
1	ALIGN FRONT WHEELS FACING STRAIGHT AHEAD	-	INFO	-	-
2	SECURE STEERING WHEEL	-	INFO	-	-
3	FRONT SUSPENSION CROSSMEMBER SUB-ASSEMBLY	51201	-	-	-
4	REMOVE STEERING LINK ASSEMBLY	-	INFO	-	-
5	NO. 1 STEERING COLUMN HOLE COVER SUB-ASSEMBLY	45025D	-	-	-
6	SECURE STEERING LINK ASSEMBLY	-	INFO	-	-
7	TIE ROD END SUB-ASSEMBLY LH	45047	INFO	-	-
8	TIE ROD END SUB-ASSEMBLY RH	45046	-	-	-

*1	STEERING GEAR ASSEMBLY	-	-
•	Non-reusable part	-	-

PROCEDURE

1. ALIGN FRONT WHEELS FACING STRAIGHT AHEAD

Click here [INFO](#)


2. SECURE STEERING WHEEL

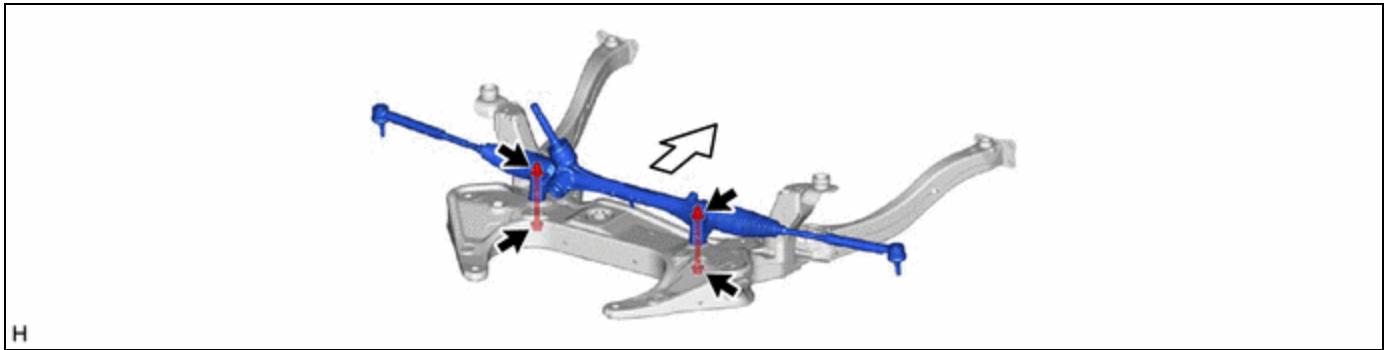
	Click here INFO
-----------------------------------------------------------------------------------	---------------------------------


3. REMOVE FRONT SUSPENSION CROSSMEMBER SUB-ASSEMBLY

Click here [INFO](#)

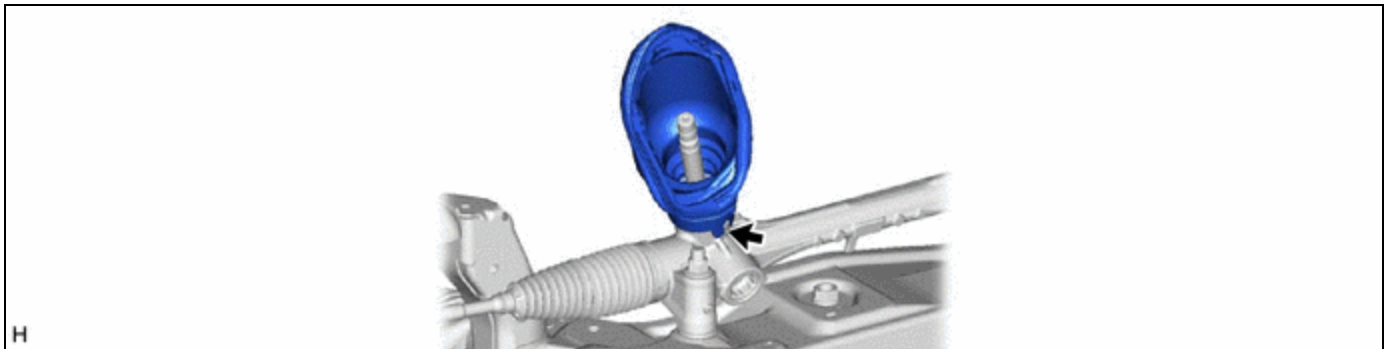
4. REMOVE STEERING LINK ASSEMBLY

	<p>NOTICE:</p> <p>Because the nut has its own stopper, do not turn the nut. Loosen the bolt with the nut secured.</p>
-----------------------------------------------------------------------------------	------------------------------------------------------------------------------------------------------------------------------

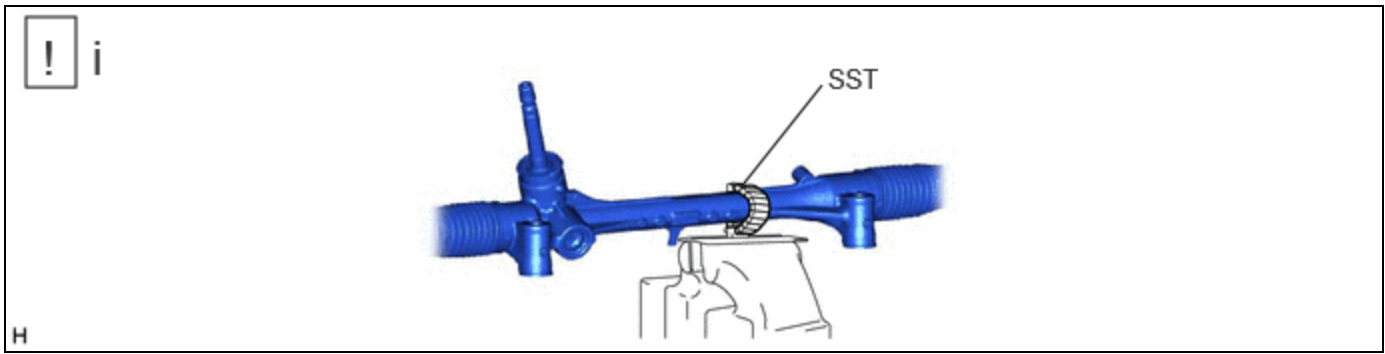


	Front of the Vehicle	-	-
-------------------------------------------------------------------------------------	----------------------	---	---

5. REMOVE NO. 1 STEERING COLUMN HOLE COVER SUB-ASSEMBLY



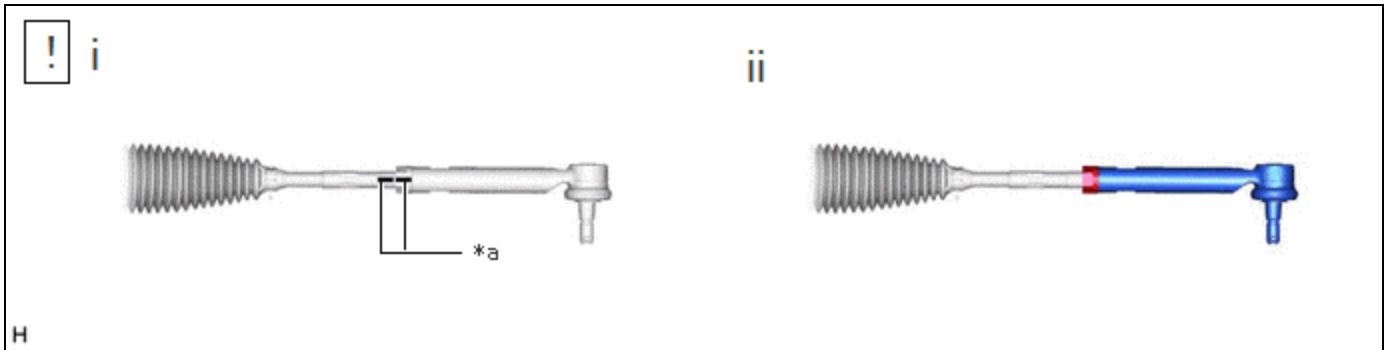
6. SECURE STEERING LINK ASSEMBLY



(1) Using SST with wrapped in protective tape, secure the steering link assembly in a vise.

SST: 09612-00012

7. REMOVE TIE ROD END SUB-ASSEMBLY LH



*a	Matchmark	-	-
----	-----------	---	---

(1) Put matchmarks on the tie rod end sub-assembly LH and steering gear assembly.

(2) Remove the tie rod end sub-assembly LH and lock nut.

8. REMOVE TIE ROD END SUB-ASSEMBLY RH

(a) Perform the same procedure as for the LH side.

