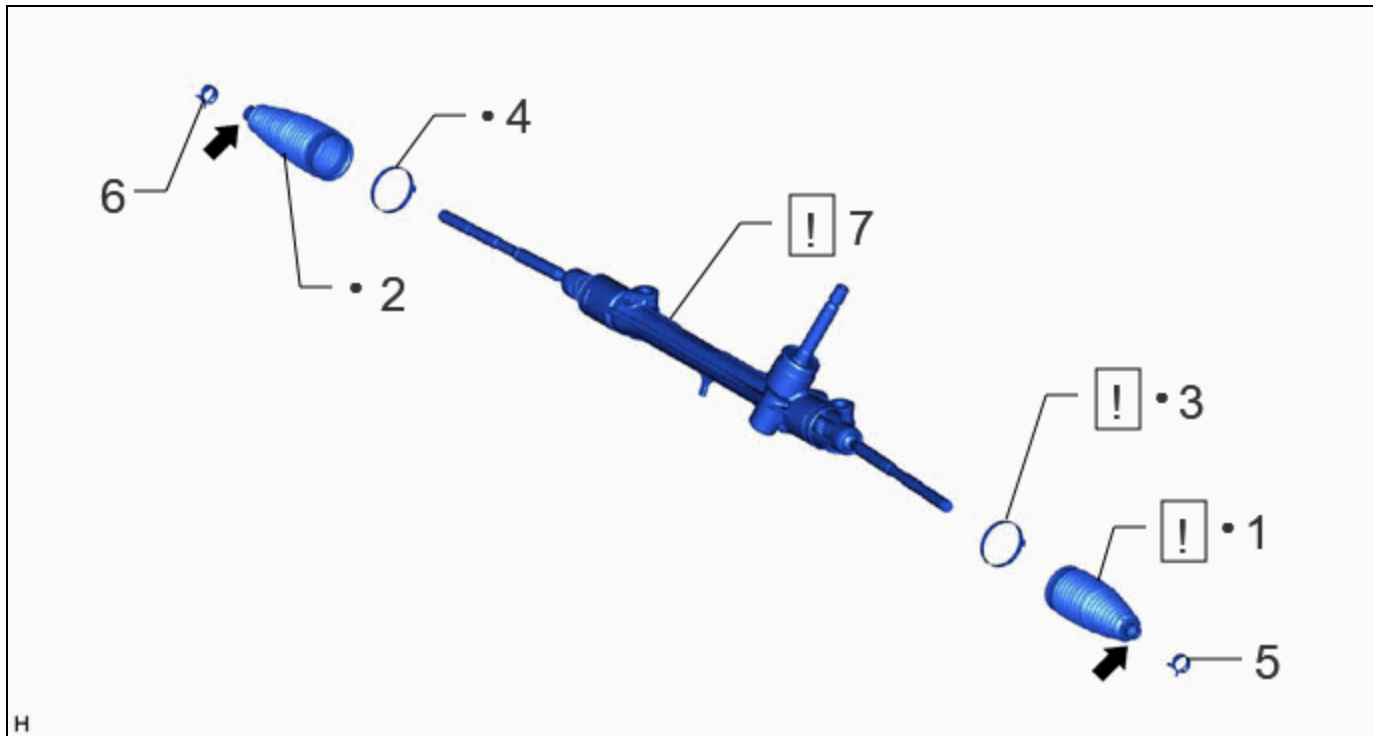


<b>Last Modified:</b> 12-04-2024	6.11:8.1.0	<b>Doc ID:</b> RM1000000029PO3
<b>Model Year Start:</b> 2023	<b>Model:</b> Prius Prime	<b>Prod Date Range:</b> [12/2022 - ]
<b>Title:</b> STEERING GEAR / LINKAGE: STEERING GEAR: REASSEMBLY; 2023 - 2024 MY Prius Prius Prime [12/2022 - ]		


## REASSEMBLY

### CAUTION / NOTICE / HINT

#### COMPONENTS (REASSEMBLY)




PROCEDURE		PART NAME CODE			
1	NO. 2 STEERING RACK BOOT	45536	INFO	-	-
2	NO. 1 STEERING RACK BOOT	45535	-	-	-
3	STEERING RACK BOOT CLAMP (for LH Side)	45535A	INFO	-	-
4	STEERING RACK BOOT CLAMP (for RH Side)	45535A	-	-	-
5	STEERING RACK BOOT CLIP (for LH Side)	45535B	-	-	-
6	STEERING RACK BOOT CLIP (for RH Side)	45535B	-	-	-
7	INSPECT STEERING GEAR ASSEMBLY	45510	INFO	-	-

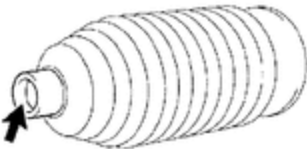
<ul style="list-style-type: none"> <li>• Non-reusable part</li> </ul>			Lithium soap base glycol grease
---	--	---	---------------------------------


## PROCEDURE

### 1. INSTALL NO. 2 STEERING RACK BOOT



i, ii



	Lithium Soap Base Glycol Grease	-	-
---	---------------------------------	---	---


- (1) Apply lithium soap base glycol grease to the inside of the small opening of a new No. 2 steering rack boot.
- (2) Install the No. 2 steering rack boot to the groove on the rack housing.

**NOTICE:**

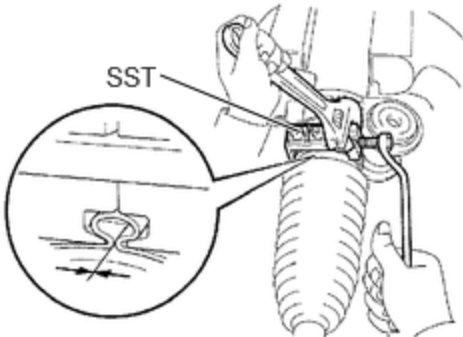
- Be careful not to damage or twist the No. 2 steering rack boot.
- Make sure that the No. 2 steering rack boot is free of rust and foreign matter.
- Do not touch the inside of the rack boot or rack bar when performing installation.

### 2. INSTALL NO. 1 STEERING RACK BOOT

### 3. INSTALL STEERING RACK BOOT CLAMP (for LH Side)



i, ii



- (1) Temporarily install a new steering rack boot clamp to the No. 2 steering rack boot.

**NOTICE:**

Do not damage the No. 2 steering rack boot.

- (2) Using SST, install the steering rack boot clamp as shown in the illustration.

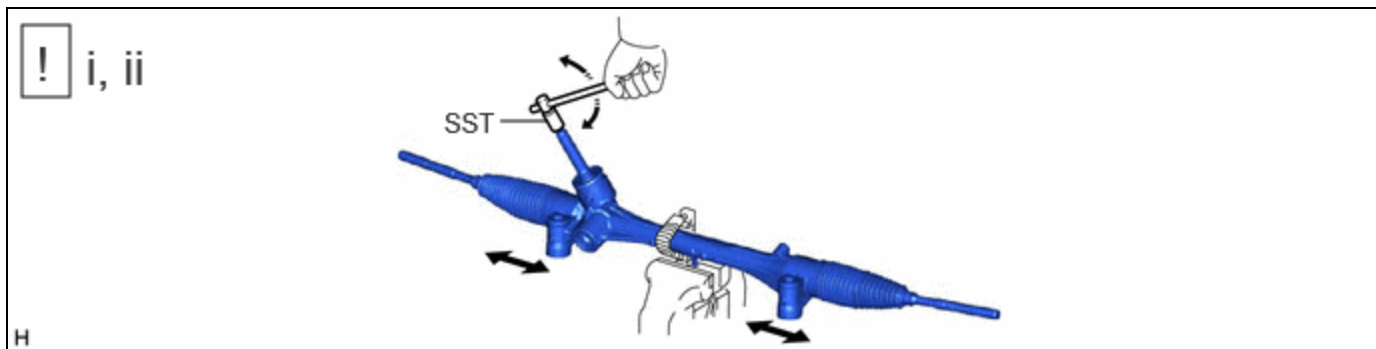
**SST: 09521-24010**

Clearance:

3.0 mm (0.118 in.) or less

**NOTICE:**

Be careful not to damage or twist the No. 2 steering rack boot.

**4. INSTALL STEERING RACK BOOT CLAMP (for RH Side)****5. INSTALL STEERING RACK BOOT CLIP (for LH Side)****6. INSTALL STEERING RACK BOOT CLIP (for RH Side)****7. INSPECT STEERING GEAR ASSEMBLY**

- (1) Using SST, rotate the pinion shaft to see if both the left and the right steering rack boots expand and contract smoothly.

**SST: 09616-00020**

- (2) If the left and right steering rack boots do not expand and contract smoothly, use new steering rack boot clamps and reinstall the steering rack boots.

