

Last Modified: 12-04-2024	6.11:8.1.0	Doc ID: RM100000002BJ85
Model Year Start: 2023	Model: Prius Prime	Prod Date Range: [03/2023 -]
Title: STEERING COLUMN: STEERING WHEEL: REMOVAL; 2023 - 2024 MY Prius Prius Prime [03/2023 -]		

REMOVAL

CAUTION / NOTICE / HINT

The necessary procedures (adjustment, calibration, initialization, or registration) that must be performed after parts are removed and installed, or replaced during steering wheel assembly removal/installation are shown below.

CAUTION / NOTICE / HINT

CAUTION:

Be sure to read Precaution thoroughly before servicing.



[Click here](#) INFO

NOTICE:

- Do not remove/install the spiral cable with sensor sub-assembly with the auxiliary battery connected and the ignition switch ON (IG).
- Do not rotate the spiral cable with sensor sub-assembly without the steering wheel assembly installed, with the auxiliary battery connected and the ignition switch ON.
- Ensure that the steering wheel assembly is installed and aligned straight when inspecting the steering sensor.
- After the ignition switch is turned off, there may be a waiting time before disconnecting the negative (-) auxiliary battery terminal.

[Click here](#) INFO

CAUTION / NOTICE / HINT

HINT:

When the cable is disconnected / reconnected to the auxiliary battery terminal, systems temporarily stop operating. However, each system has a function that completes learning the first time the system is used.

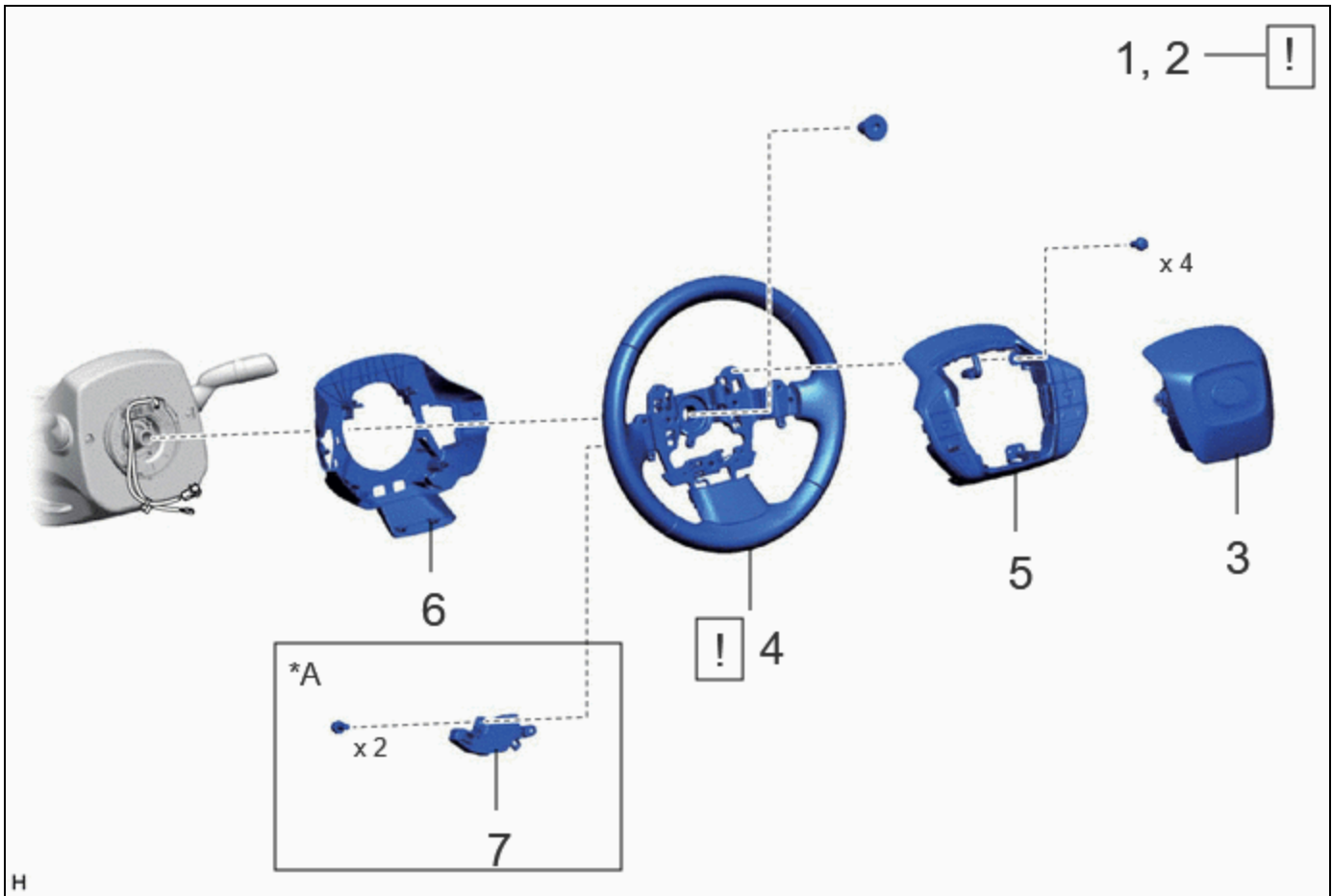
Learning completes when vehicle is driven

EFFECT/INOPERATIVE FUNCTION WHEN NECESSARY PROCEDURE NOT PERFORMED	NECESSARY PROCEDURE	LINK
Front Camera System	Drive the vehicle straight ahead at 35 km/h (22 mph) or more for 5 seconds or more.	INFO

Learning completes when vehicle is operated normally

EFFECT/INOPERATIVE FUNCTION WHEN NECESSARY PROCEDURE NOT PERFORMED	NECESSARY PROCEDURE	LINK
Power Door Lock Control System*1 <ul style="list-style-type: none"> • Back door opener 	Perform door unlock operation with door control switch or electrical key transmitter sub-assembly switch.	INFO
Power Back Door System*2	Reset back door close position	INFO
Air Conditioning System	<p>for HEV Model:</p> <p>After the ignition switch is turned to ON, the servo motor standard position is recognized.</p> <p>for PHEV Model:</p> <p>After the ignition switch is turned to ON, the servo motor and cooler expansion valve standard position is recognized.</p>	-
<p>*1: w/o Power Back Door System</p> <p>*2: w/ Power Back Door System</p>		

CAUTION / NOTICE / HINT**COMPONENTS (REMOVAL)**



PROCEDURE		PART NAME CODE			
1	PRECAUTION	-	INFO	-	-
2	ALIGN FRONT WHEELS FACING STRAIGHT AHEAD	-	INFO	-	-
3	HORN BUTTON ASSEMBLY	45130	-	-	-
4	STEERING WHEEL ASSEMBLY	45100	INFO	-	-
5	STEERING PAD SWITCH ASSEMBLY	84250A	-	-	-
6	LOWER STEERING WHEEL BOSS COVER	45184	-	-	-
7	MULTIPLEX NETWORK STEERING ECU	864A1A	-	-	-

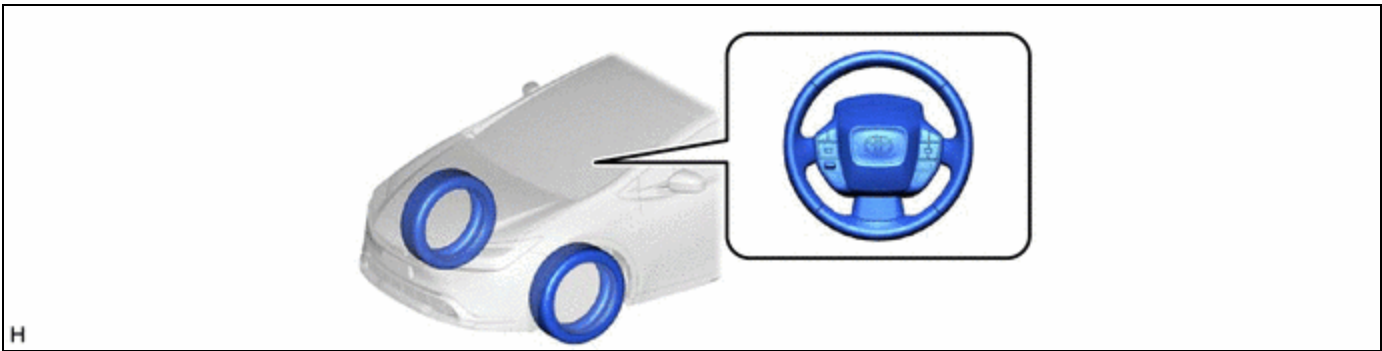
*A	w/ Multiplex Network Steering ECU	-	-
----	-----------------------------------	---	---

PROCEDURE

1. PRECAUTION

	Click here INFO
--	---------------------------------

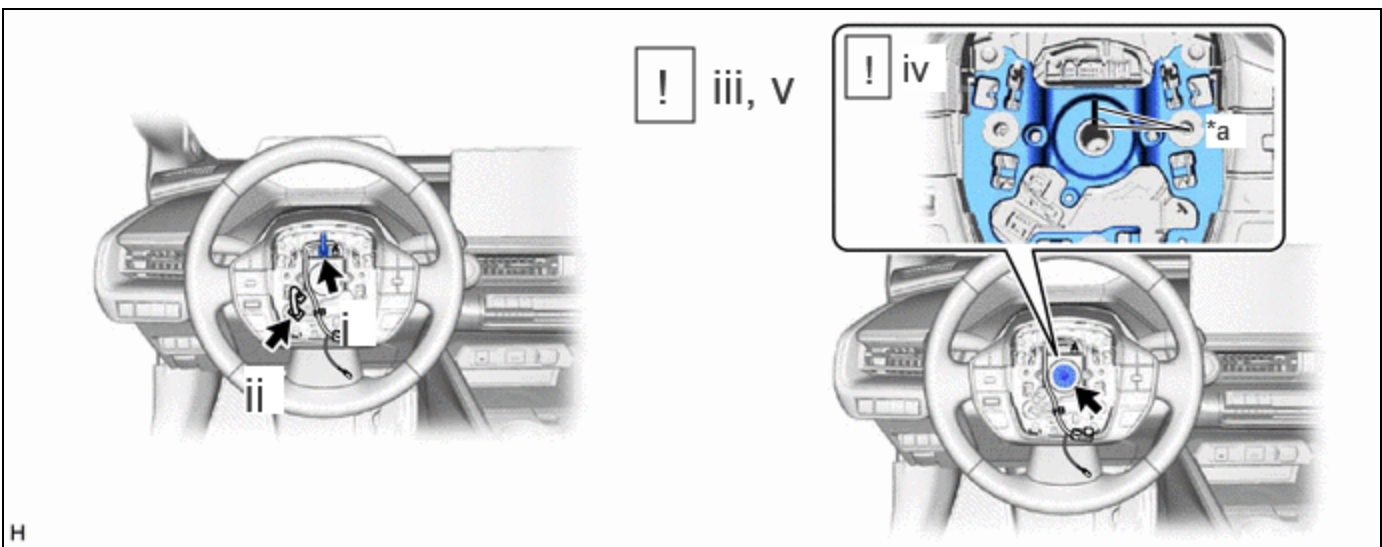
2. ALIGN FRONT WHEELS FACING STRAIGHT AHEAD



3. REMOVE HORN BUTTON ASSEMBLY

Click here [INFO](#)

4. REMOVE STEERING WHEEL ASSEMBLY

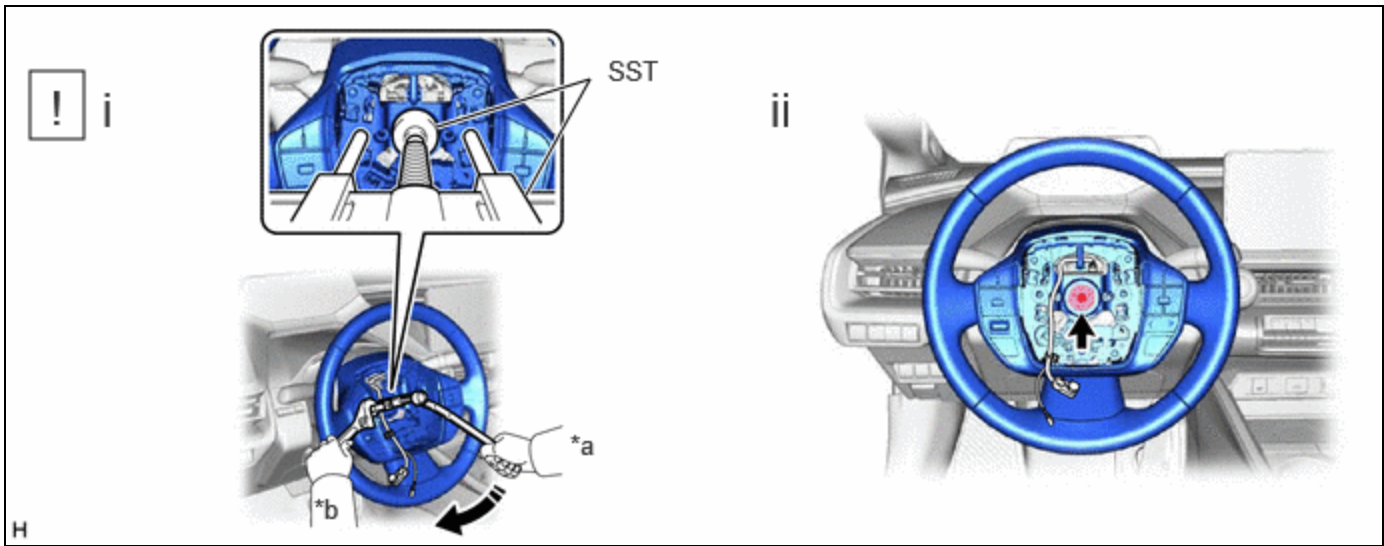


*a	Matchmark	-	-
----	-----------	---	---

- (1) Disconnect the connector.
- (2) w/ Multiplex Network Steering ECU:
 1. Disconnect the connector.
- (3) Using a 10 mm hexagon socket wrench, remove the steering wheel assembly set bolt.
- (4) Put matchmarks on the steering wheel assembly and steering main shaft.
- (5) Temporarily install the steering wheel assembly set bolt.

NOTICE:

Do not overtighten the steering wheel assembly set bolt.



*a	Turn	*b	Hold
----	------	----	------

(1) Using SST, separate the steering wheel assembly.

SST: 09950-50013

- 09951-05010
- 09952-05010
- 09953-05020
- 09954-05031
- 09957-04010

SST: 09950-60011

- 09951-00330

NOTICE:

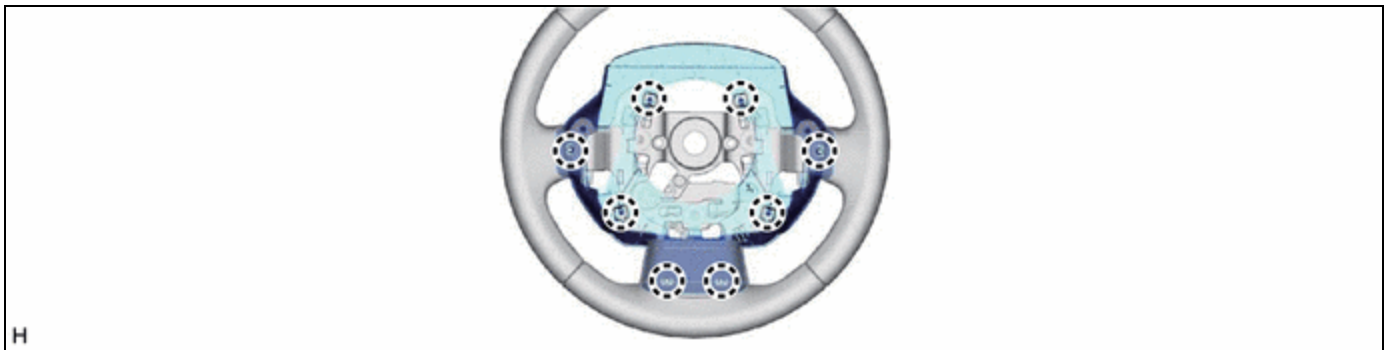
Apply a small amount of grease to the threads and tip of SST (09953-05020) before use.

(2) Remove the steering wheel assembly set bolt and steering wheel assembly.

5. REMOVE STEERING PAD SWITCH ASSEMBLY

Click here [INFO](#)

6. REMOVE LOWER STEERING WHEEL BOSS COVER



7. REMOVE MULTIPLEX NETWORK STEERING ECU (w/ Multiplex Network Steering ECU)

Click here [INFO](#)

