

<b>Last Modified:</b> 12-04-2024	6.11:8.1.0	<b>Doc ID:</b> RM1000000029TKG
<b>Model Year Start:</b> 2023	<b>Model:</b> Prius Prime	<b>Prod Date Range:</b> [12/2022 - ]
<b>Title:</b> STEERING COLUMN: STEERING SYSTEM: ADJUSTMENT; 2023 - 2024 MY Prius Prius Prime [12/2022 - ]		

## ADJUSTMENT

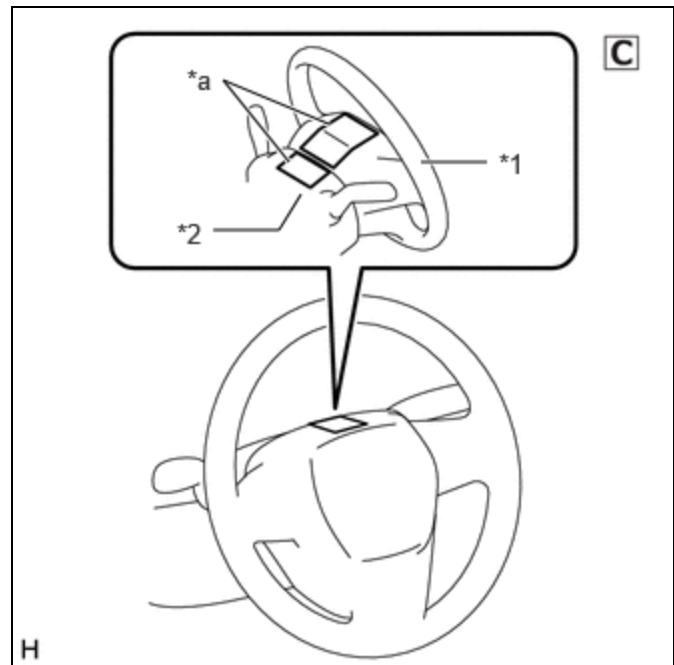
### PROCEDURE

#### 1. STEERING WHEEL OFF CENTER ADJUSTMENT PROCEDURE

(a) Inspect steering wheel off center.

(1) Turn the steering wheel assembly to the center position.

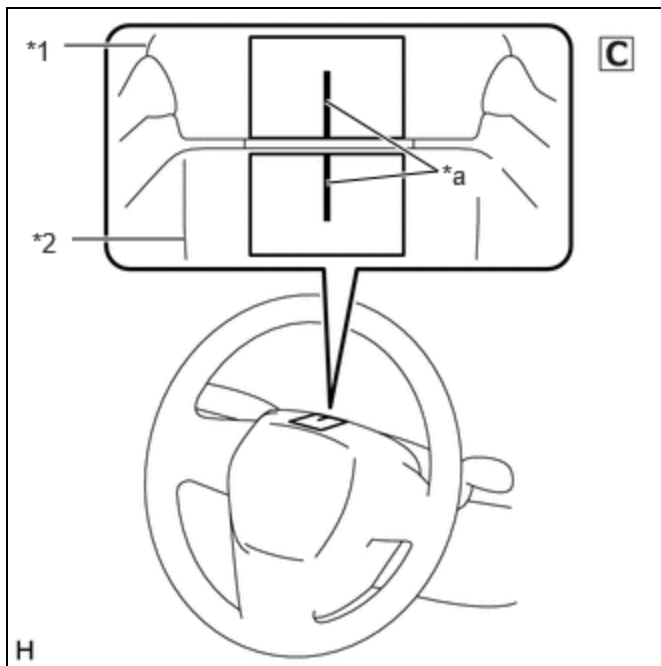
(2) Apply masking tape to the top center of the steering wheel assembly and upper steering column cover.



*1	Steering Wheel Assembly
*2	Upper Steering Column Cover
*a	Masking Tape

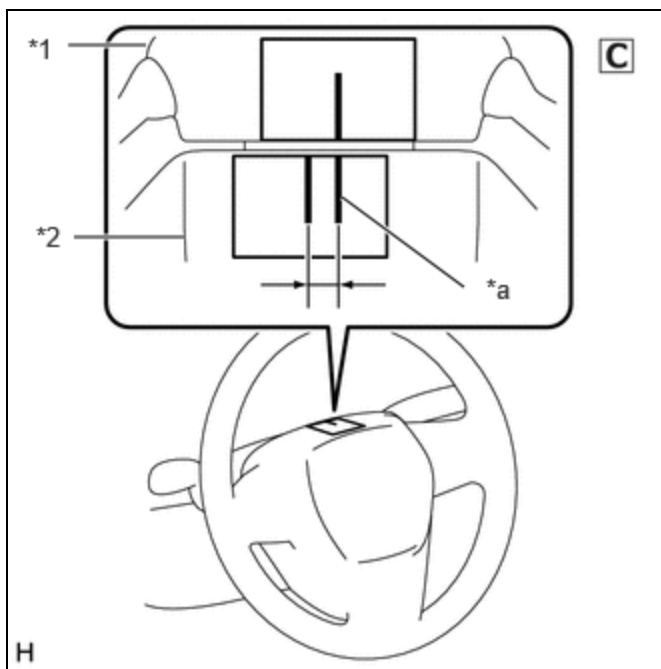
(3) Drive the vehicle in a straight line for 100 m (328 ft.) at a constant speed of 56 km/h (35 mph), while holding the steering wheel assembly to maintain the course.

(4) Draw a line on the masking tape as shown in the illustration.



*1	Upper Steering Column Cover
*2	Steering Wheel Assembly
*a	Marked Line

(5) Turn the steering wheel assembly to the center position.



(6) Draw a new line on the masking tape on the steering wheel assembly as shown in the illustration.

*1	Upper Steering Column Cover
*2	Steering Wheel Assembly
*a	Marked Line

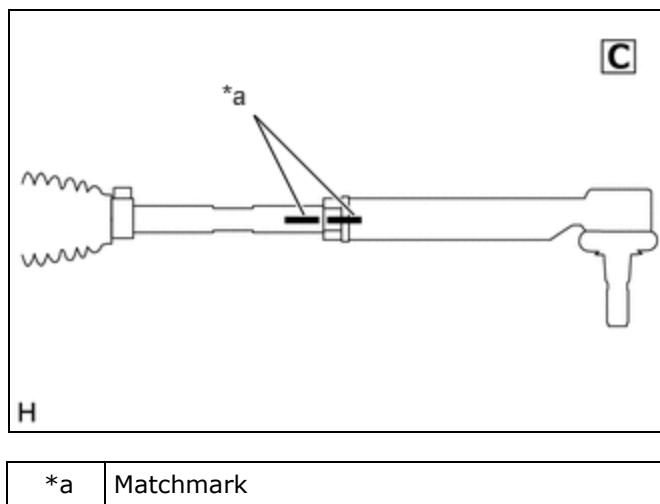
- (7) Measure the distance between the 2 lines on the masking tape on the steering wheel assembly.
- (8) Convert the measured distance to the steering angle.

**HINT:**

- Measured distance of 1 mm (0.0394 in.) = Steering angle of approximately 1 degree
- Make a note of the steering angle.

- (b) Adjust the steering angle.

- (1) Put matchmarks on the tie rod assemblies LH and RH and steering rack end sub-assembly respectively.

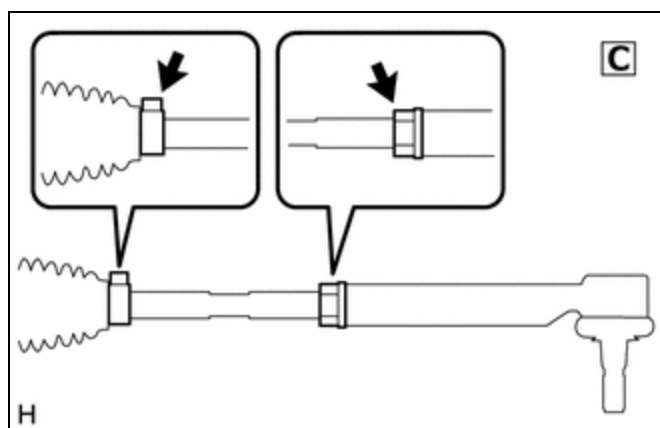


- (2) Using a paper gauge, measure the thread length of the steering rack end sub-assemblies.

**HINT:**

- Measure both RH and LH sides.
- Make a note of the measured values.

- (3) Remove the steering rack boot clips from the RH and LH steering rack boots.



- (4) Loosen the RH and LH lock nuts.
- (5) Turn the RH and LH rack ends by the same amount (but in different directions) according to the steering angle value.
- (6) Tighten the RH and LH lock nuts to the specified torque.  
Click here [INFO](#)
- (7) Install the RH and LH steering rack boot clips.

