

Last Modified: 12-04-2024	6.11:8.1.0	Doc ID: RM1000000029TKI
Model Year Start: 2023	Model: Prius Prime	Prod Date Range: [12/2022 -]
Title: STEERING COLUMN: STEERING COLUMN ASSEMBLY: INSPECTION; 2023 - 2024 MY Prius Prius Prime [12/2022 -]		

INSPECTION

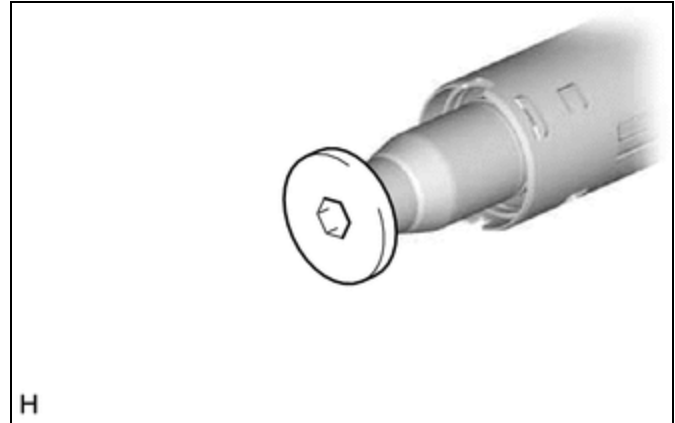
PROCEDURE

1. INSPECT PRELOAD

(a) Using a 10 mm hexagon socket wrench, install the steering wheel assembly set bolt to the steering main shaft.

NOTICE:

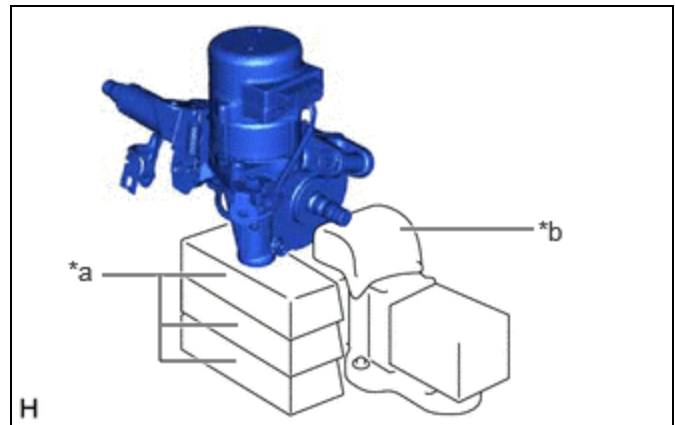
- Do not apply excessive torque to the steering wheel assembly set bolt by using a tool such as an impact wrench.
- The steering wheel assembly set bolt is used for turning the steering main shaft during inspection of the steering main shaft rotating torque.
- Remove the steering wheel assembly set bolt after performing this inspection.



(b) Secure the steering column assembly in a vise using aluminum plates, cloths and wooden blocks.

NOTICE:

- Do not overtighten the vise, as the steering column assembly may become deformed.
- Support the steering column assembly with wooden blocks or similar items to ensure that it does not fall.

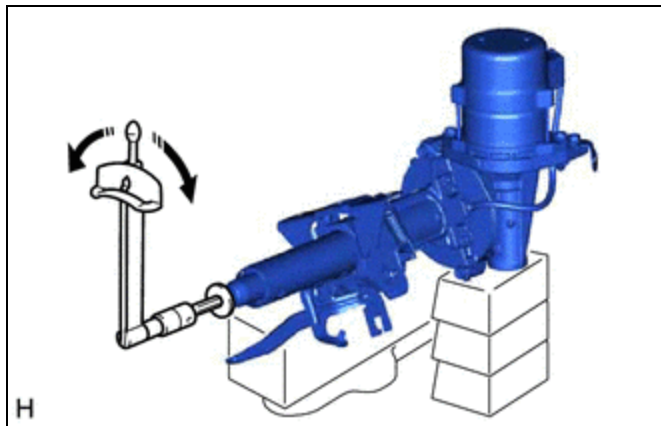


*a	Wooden Block
*b	Cloth

(c) Using a torque wrench, turn the steering main shaft at a constant rate of approximately 1 revolution every 4 seconds and measure the preload.

Preload

SPECIFIED CONDITION	RESULT
1.0 to 2.3 N*m	N*m
11 to 23 kgf*cm	kgf*cm
9 to 20 in.*lbf	in.*lbf

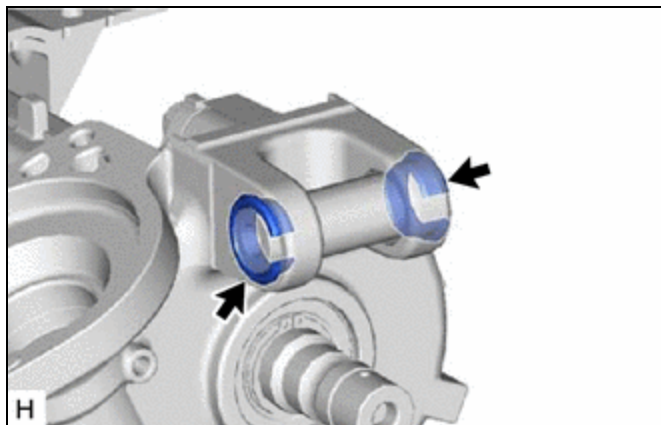


(d) If the preload is not as specified, replace the power steering ECU assembly or electric power steering column sub-assembly with a new one.

(e) Remove the steering wheel assembly set bolt.

2. INSPECT STEERING COLUMN ASSEMBLY

(a) Check that the 2 bushings are securely installed to the steering column assembly.



(b) If the bushings are deformed, missing or damaged, replace the electric power steering column sub-assembly with a new one.

