

Last Modified: 12-04-2024	6.11:8.1.0	Doc ID: RM100000002C20K
Model Year Start: 2023	Model: Prius Prime	Prod Date Range: [03/2023 -]
Title: POWER ASSIST SYSTEMS: POWER STEERING ECU: REMOVAL; 2023 - 2024 MY Prius Prius Prime [03/2023 -]		

REMOVAL

CAUTION / NOTICE / HINT

The necessary procedures (adjustment, calibration, initialization, or registration) that must be performed after parts are removed and installed, or replaced during the power steering ECU assembly removal/installation are shown below.

Necessary Procedures After Parts Removed/Installed/Replaced

REPLACED PART OR PERFORMED PROCEDURE	NECESSARY PROCEDURE	EFFECT/INOPERATIVE FUNCTION WHEN NECESSARY PROCEDURE NOT PERFORMED	LINK
Power steering ECU assembly	Update ECU security key	Vehicle control history (RoB) are stored	INFO
	ECU configuration	<ul style="list-style-type: none"> Vehicle Control History (RoB) are stored EPS warning light illuminates 	INFO
	Perform power steering ECU initial setting (torque sensor zero point calibration and assist map writing)	<ul style="list-style-type: none"> Vehicle Control History (RoB) are stored EPS warning light illuminates 	INFO
	End position initial setting	-	INFO

CAUTION / NOTICE / HINT

HINT:

When the cable is disconnected / reconnected to the auxiliary battery terminal, systems temporarily stop operating. However, each system has a function that completes learning the first time the system is used.

Learning completes when vehicle is driven

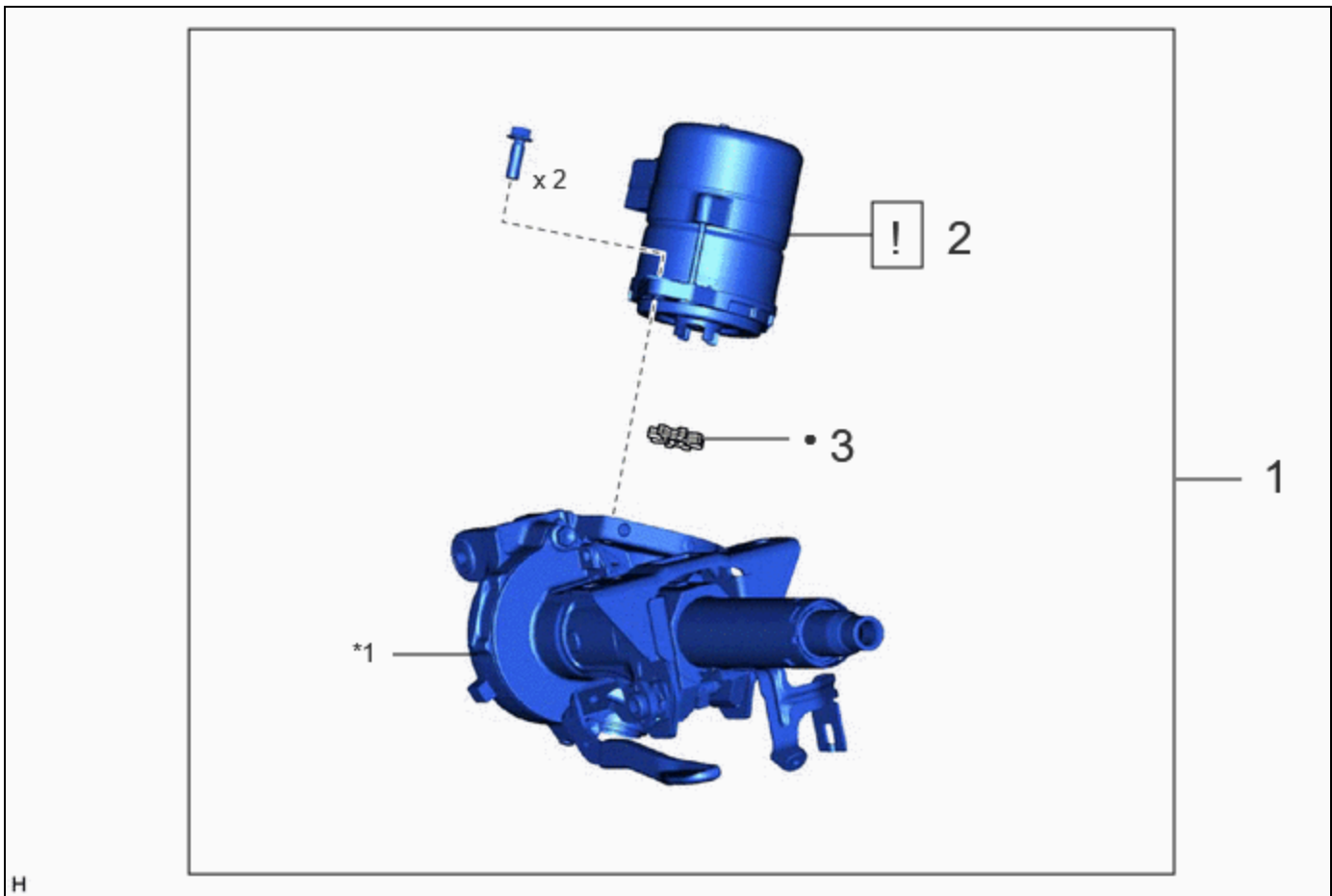
EFFECT/INOPERATIVE FUNCTION WHEN NECESSARY PROCEDURE NOT PERFORMED	NECESSARY PROCEDURE	LINK
Front Camera System	Drive the vehicle straight ahead at 35 km/h (22 mph) or more for 5 seconds or more.	INFO




Learning completes when vehicle is operated normally

EFFECT/INOPERATIVE FUNCTION WHEN NECESSARY PROCEDURE NOT PERFORMED	NECESSARY PROCEDURE	LINK
Power Door Lock Control System*1 <ul style="list-style-type: none"> Back door opener 	Perform door unlock operation with door control switch or electrical key transmitter sub-assembly switch.	INFO
Power Back Door System*2	Reset back door close position	INFO
Air Conditioning System	<p>for HEV Model:</p> <p>After the ignition switch is turned to ON, the servo motor standard position is recognized.</p> <p>for PHEV Model:</p> <p>After the ignition switch is turned to ON, the servo motor and cooler expansion valve standard position is recognized.</p>	-
<p>*1: w/o Power Back Door System</p> <p>*2: w/ Power Back Door System</p>		

CAUTION / NOTICE / HINT

COMPONENTS (REMOVAL)



	PROCEDURE	PART NAME CODE			
1	STEERING COLUMN ASSEMBLY	-	-	-	-
2	POWER STEERING ECU ASSEMBLY	89650	INFO	-	-
3	ELECTRIC POWER STEERING MOTOR SHAFT DAMPER	45254B	-	-	-


*1	ELECTRIC POWER STEERING COLUMN SUB-ASSEMBLY	-	-
•	Non-reusable part	-	-

PROCEDURE

1. REMOVE STEERING COLUMN ASSEMBLY

Click here **INFO**

2. REMOVE POWER STEERING ECU ASSEMBLY

	<p>NOTICE:</p> <ul style="list-style-type: none"> • Do not drop the power steering ECU assembly, strike it with tools or subject it to impacts. • If the power steering ECU assembly is subjected to an impact, replace it with a new one. • Do not pull the wire harness of the electric power steering column sub-assembly. • Do not allow any moisture to come into contact with the power steering ECU assembly. • Do not loosen any bolts not mentioned in the procedure. • Do not allow any foreign matter to contaminate the power steering ECU assembly.
--	---



3. REMOVE ELECTRIC POWER STEERING MOTOR SHAFT DAMPER

