

Last Modified: 12-04-2024	6.11:8.1.0	Doc ID: RM100000002A14X
Model Year Start: 2023	Model: Prius Prime	Prod Date Range: [12/2022 -]
Title: LIGHTING (EXT): LIGHTING SYSTEM: CUSTOMIZE PARAMETERS; 2023 - 2024 MY Prius Prius Prime [12/2022 -]		

CUSTOMIZE PARAMETERS

CUSTOMIZE LIGHTING SYSTEM (EXT)

NOTICE:

- When the customer requests a change in a function, first make sure that the function can be customized.
- Be sure to make a note of the current settings before customizing.
- When troubleshooting a function, first make sure that the function is set to the default setting.

HINT:

The following items can be customized.

(a) Customizing with the GTS

- (1) Enter the following menus: Customize Setting / Light Control, Warning or Illuminated Entry.
- (2) Select the setting by referring to the table below.

Light Control

TESTER DISPLAY	DESCRIPTION	DEFAULT	SETTING	ECU
Tail Remind Buzzer Function	Sounds a buzzer when the driver door is opened with the light control switch in the tail or head position.	Enable	\$00:Disable,\$01:Enable	Main Body ECU (Multiplex Network Body ECU)
Headlight ON in Conjunction with Wiper Function	Turns the low beam headlights on/off according to wiper operation.*1	Enable	\$00:Disable,\$01:Enable	Main Body ECU (Multiplex Network Body ECU)
Brightness Level Adjust (Lowering)	Changes the ambient brightness level required to dim the lights such as the indicator lights of the combination meter, A/C indicator light and clock.*A	Normal	\$00:Normal,\$01:Dark2,\$02:Dark1,\$03:Light1,\$04:Light2	Main Body ECU (Multiplex Network Body ECU)
Brightness Level Adjust (Canceling)	Changes the ambient brightness level required to cancel the dimming of the lights such as the indicator lights of the combination meter, A/C indicator light and clock.*B	Normal	\$00:Normal,\$01:Dark2,\$02:Dark1,\$03:Light1,\$04:Light2	Main Body ECU (Multiplex Network Body ECU)

TESTER DISPLAY	DESCRIPTION	DEFAULT	SETTING	ECU
Sensitivity Adjust	Adjusts the sensitivity of the automatic light control system.*C	Normal	\$01:Dark2,\$02:Dark1,\$00:Normal,\$03:Light1,\$04:Light2	Main Body ECU (Multiplex Network Body ECU)
Light Auto OFF Delay Setting	Keeps the headlights on for a certain period of time after turning the ignition switch off and closing all of doors with the low beam headlights on.*2	30 s	\$00:OFF,\$01:30sec,\$02:60sec,\$03:90sec	Main Body ECU (Multiplex Network Body ECU)
DRL Function	Turns the DRL function on/off.*3	Enable	\$00:Disable,\$01:Enable	Main Body ECU (Multiplex Network Body ECU)

*1: w/ Wiper-linked Low Beam Headlight Control System

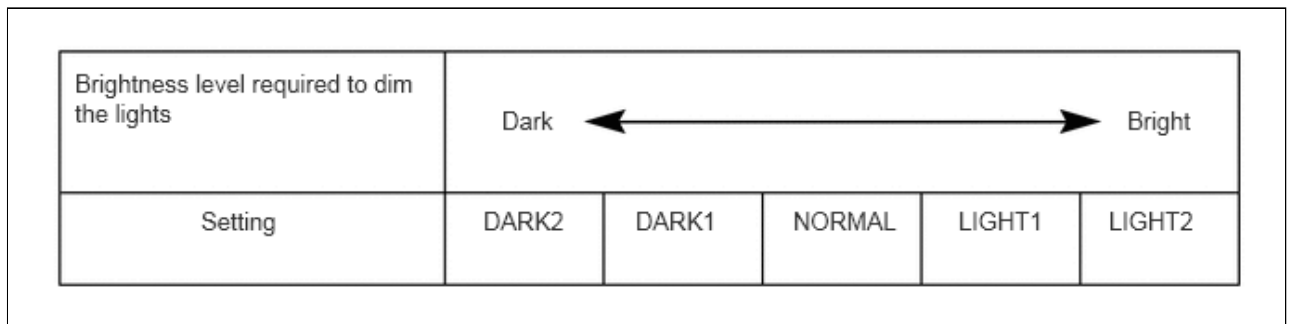
*2: w/ Delay Function

*3: for vehicles with customize setting "DRL Function"

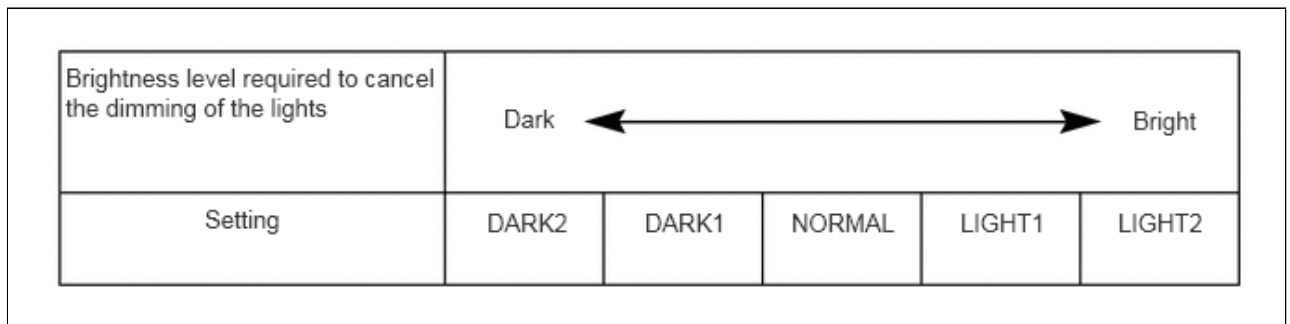
HINT:

The sensitivity adjustment may be difficult to confirm. Check by driving the vehicle.

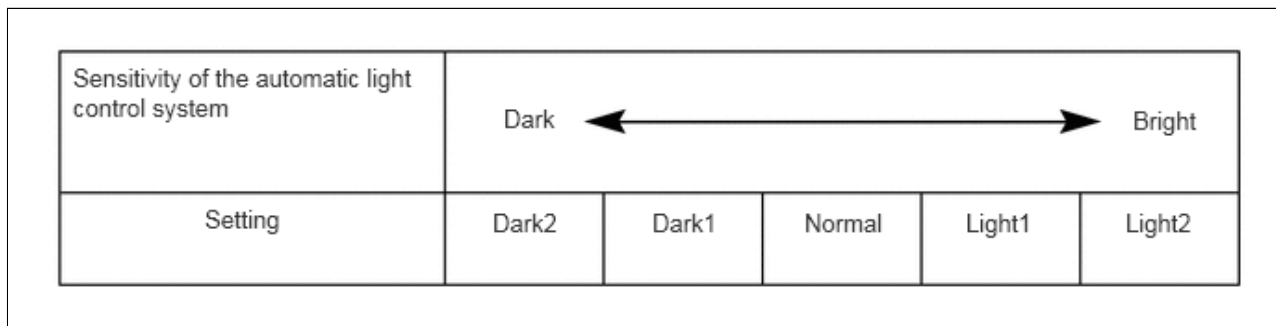
*A



*B



*C

**Warning**

TESTER DISPLAY	DESCRIPTION	DEFAULT	SETTING	ECU
Lane Change Flashing Times Adjust	Function to change the lane change flashing times.	3	\$00:OFF,\$01:3,\$02:4,\$03:5,\$04:6,\$05:7	Combination Meter Assembly

(b) Customizing with the multi-display

(1) Enter the following menus:

Settings (icon) / Vehicle customize

HINT:

Depending on the specifications of the vehicle, some items may not be displayed.

(2) Select the setting by referring to the table below.

DISPLAY	DEFAULT	CONTENT	SETTING	RELEVANT ECU
Headlights Auto-on Sensitivity	Normal	Adjusts the sensitivity of the automatic light control system.*A	Normal, Dark2, Dark1, Light1 or Light2	Main Body ECU (Multiplex Network Body ECU)
Headlights Auto-off Timer*1	30 sec.	Keeps the headlights on for a certain period of time after turning the ignition switch off and closing all of doors with the low beam headlights on.	Off, 30 sec., 60 sec. or 90 sec.	Main Body ECU (Multiplex Network Body ECU)
Daytime Running Lights*2	On	Turns the DRL function on/off.	On or Off	Main Body ECU (Multiplex Network Body ECU)

*1: w/ Delay Function

*2: for vehicles with customize setting "Daytime Running Lights"

HINT:

The sensitivity adjustment may be difficult to confirm. Check by driving the vehicle.

*A

