

<b>Last Modified:</b> 12-04-2024	6.11:8.1.0	<b>Doc ID:</b> RM1000000029YHX
<b>Model Year Start:</b> 2023	<b>Model:</b> Prius Prime	<b>Prod Date Range:</b> [12/2022 - ]
<b>Title:</b> POWER DISTRIBUTION: SUB BATTERY SYSTEM: PARTS LOCATION; 2023 - 2024 MY Prius Prius Prime [12/2022 - ]		

## PARTS LOCATION

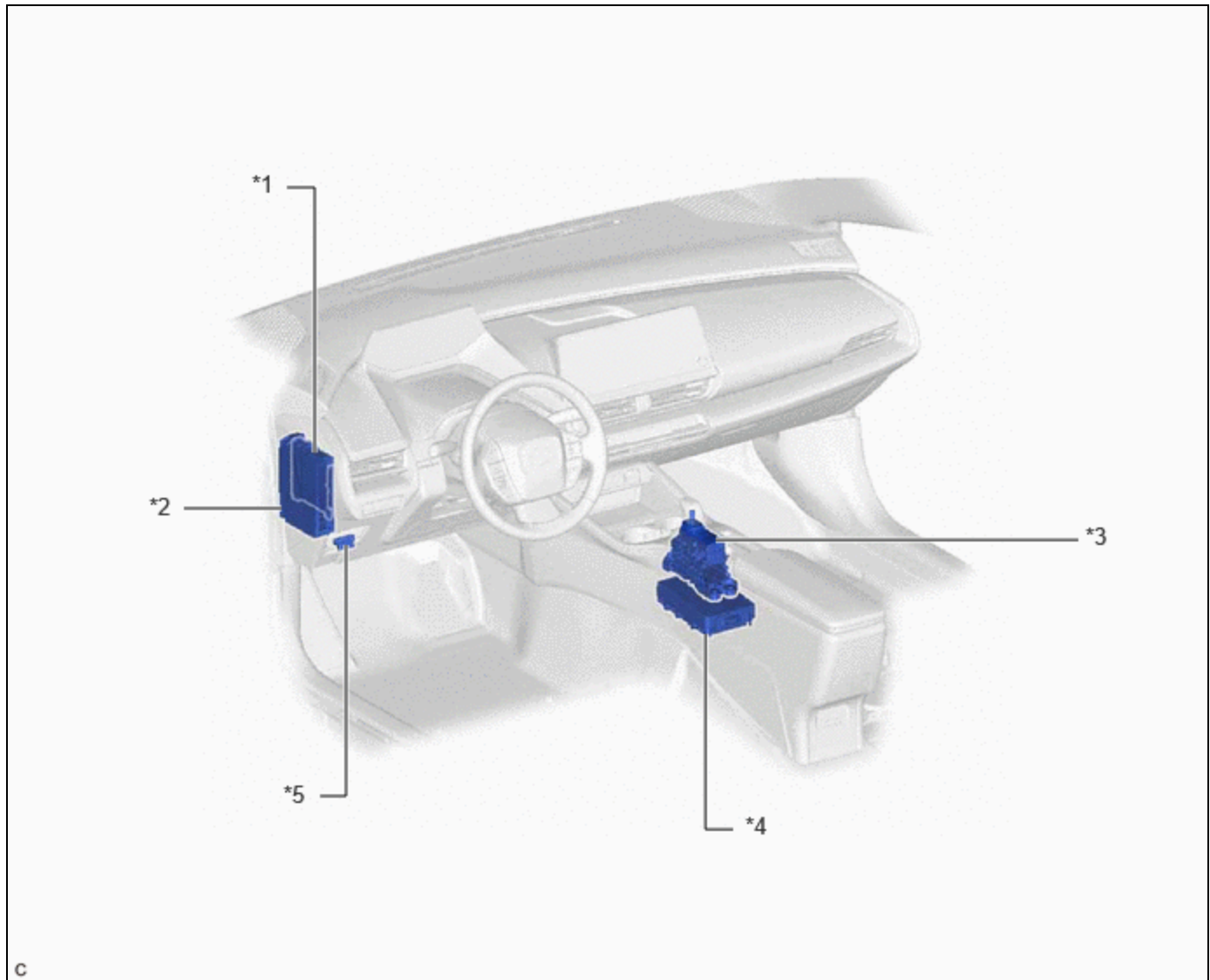
### ILLUSTRATION



*1	NO. 1 ENGINE ROOM RELAY BLOCK AND NO. 1 JUNCTION BLOCK ASSEMBLY - 2ND BATT FUSE	*2	SHIFT CONTROL ACTUATOR ASSEMBLY - SHIFT ACTUATOR ECU
----	--	----	---

*3	BRAKE BOOSTER WITH MASTER CYLINDER ASSEMBLY	-	-
----	---	---	---

## ILLUSTRATION



*1	MAIN BODY ECU (MULTIPLEX NETWORK BODY ECU)	*2	POWER DISTRIBUTION BOX ASSEMBLY
*3	TRANSMISSION FLOOR SHIFT ASSEMBLY - SHIFT CONTROL ECU	*4	INTEGRATED CAPACITOR (INTEGRATION CONTROL SUPPLY)
*5	DLC3	-	-

