

<b>Last Modified:</b> 12-04-2024	6.11:8.1.0	<b>Doc ID:</b> RM1000000029OFX
<b>Model Year Start:</b> 2023	<b>Model:</b> Prius Prime	<b>Prod Date Range:</b> [12/2022 - ]
<b>Title:</b> NETWORKING: NETWORK GATEWAY ECU: INSTALLATION; 2023 - 2024 MY Prius Prius Prime [12/2022 - ]		

## INSTALLATION

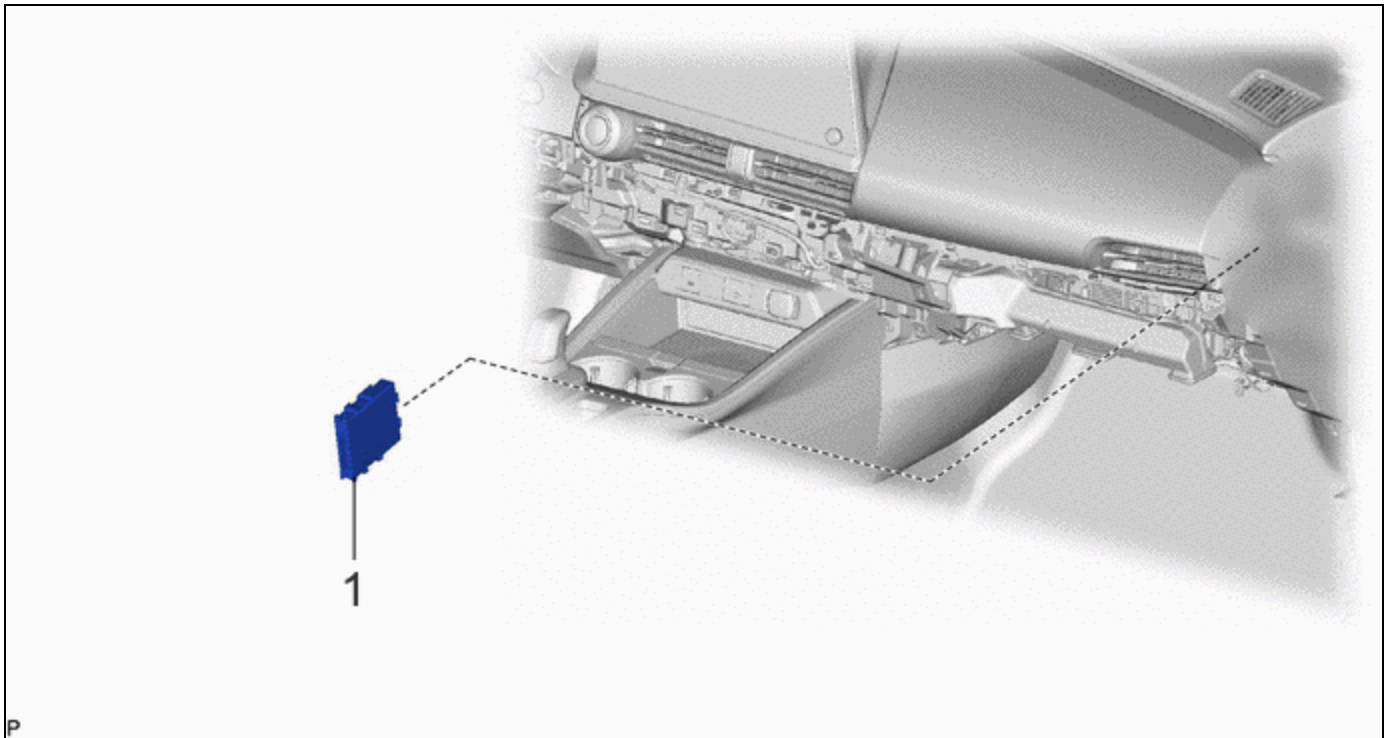
### CAUTION / NOTICE / HINT

**NOTICE:**

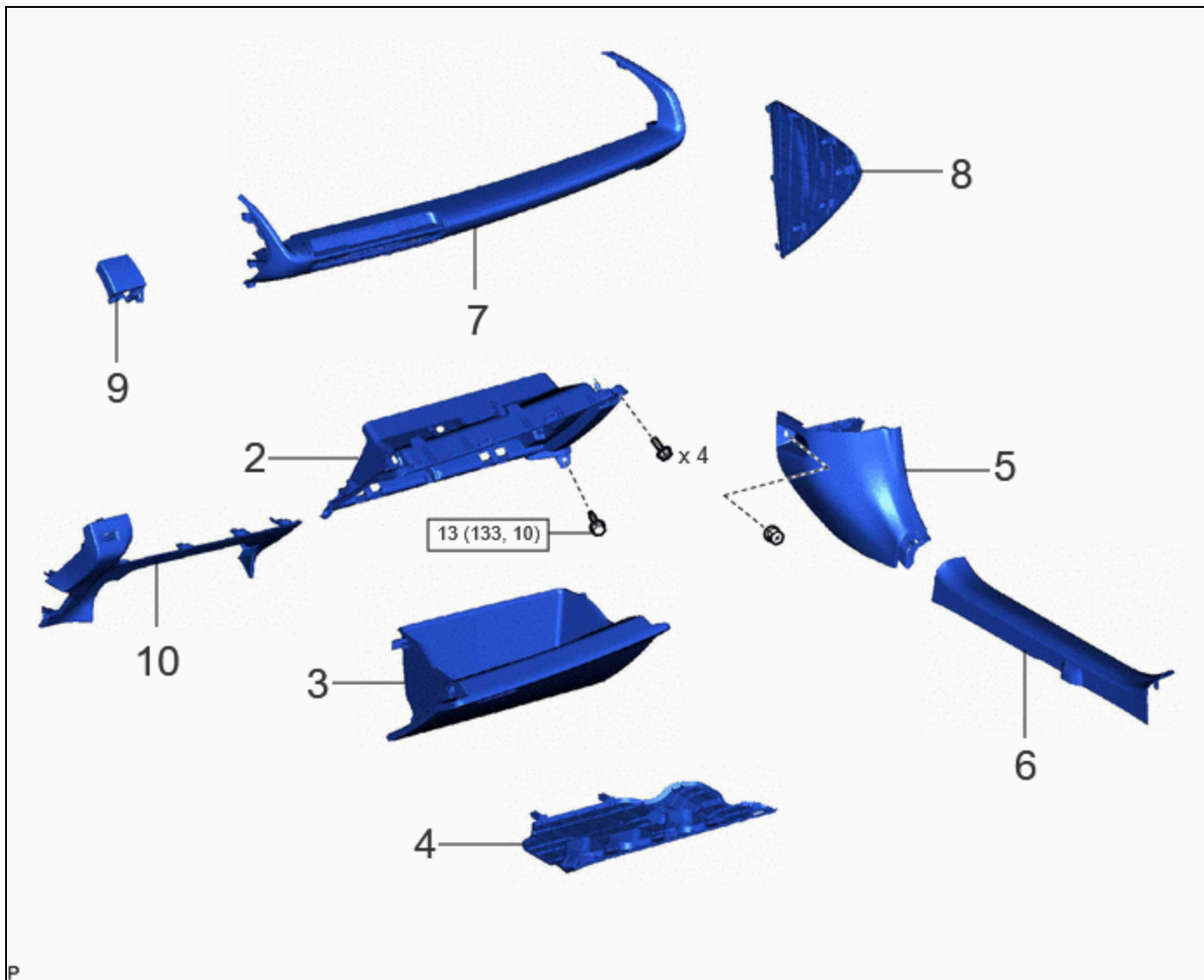
After replacing the central gateway ECU (network gateway ECU), make sure to perform update ECU security key.




### CAUTION / NOTICE / HINT

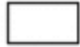
#### COMPONENTS (INSTALLATION)

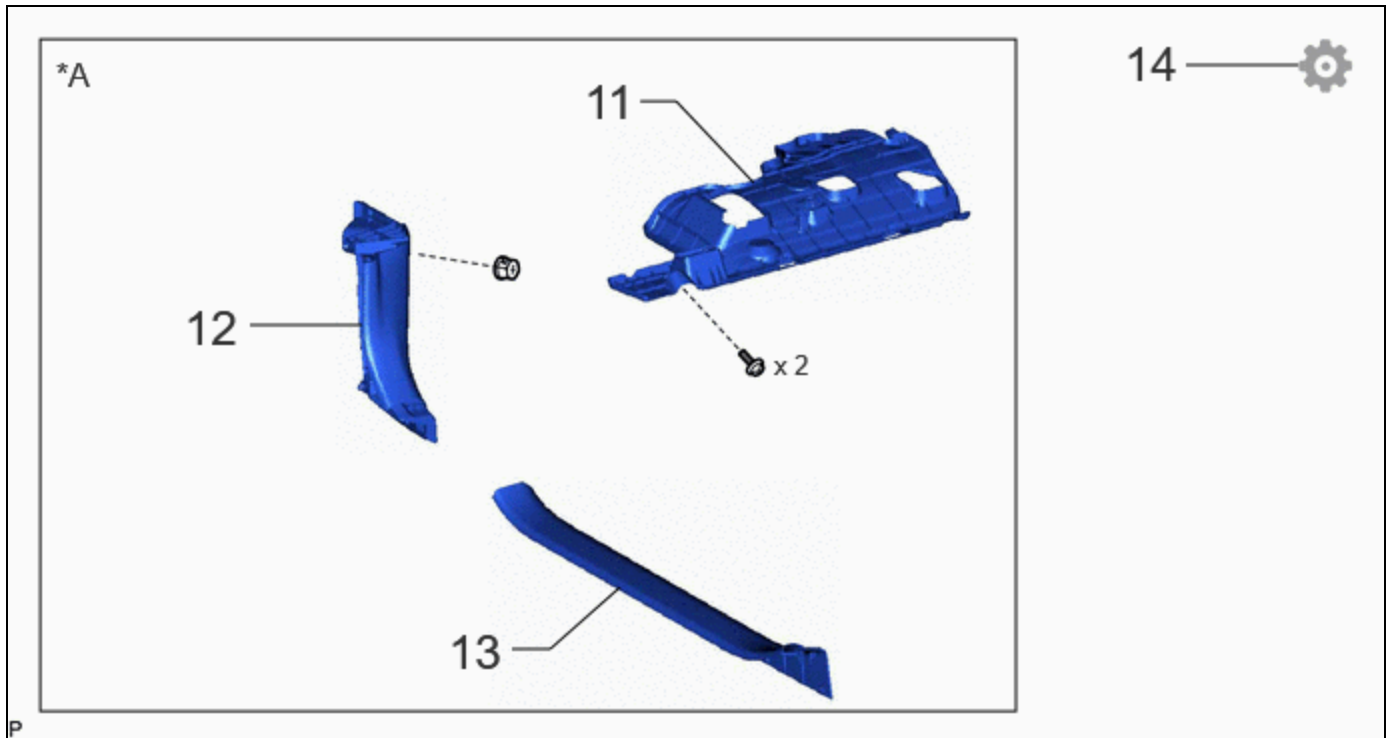


	PROCEDURE	PART NAME CODE			
1	CENTRAL GATEWAY ECU (NETWORK GATEWAY ECU)	89111	-	-	-



PROCEDURE		PART NAME CODE			
2	LOWER INSTRUMENT PANEL SUB-ASSEMBLY	55303B	-	-	-
3	GLOVE COMPARTMENT DOOR ASSEMBLY	55550	-	-	-
4	NO. 2 INSTRUMENT PANEL UNDER COVER SUB-ASSEMBLY	55607	-	-	-
5	COWL SIDE TRIM BOARD RH	62111C	-	-	-
6	FRONT DOOR SCUFF PLATE RH	67913	-	-	-
7	NO. 2 INSTRUMENT PANEL GARNISH SUB-ASSEMBLY WITH AIR CONDITIONING CONTROL ASSEMBLY	-	-	-	-
8	INSTRUMENT SIDE PANEL RH	55317A	-	-	-
9	LOWER CENTER INSTRUMENT CLUSTER FINISH PANEL SUB-ASSEMBLY	55406B	-	-	-
10	LOWER CENTER INSTRUMENT PANEL FINISH PANEL	55434B	-	-	-

	N*m (kgf*cm, ft.*lbf): Specified torque	-	-
---	---	---	---



	PROCEDURE	PART NAME CODE	!	📄	⚙️
11	NO. 1 INSTRUMENT PANEL UNDER COVER SUB-ASSEMBLY	55606	-	-	-
12	COWL SIDE TRIM BOARD LH	62112	-	-	-
13	FRONT DOOR SCUFF PLATE LH	67914	-	-	-
14	UPDATE ECU SECURITY KEY	-	-	-	<a href="#">INFO</a>

*A	w/ Knee Airbag	-	-
----	----------------	---	---

## PROCEDURE

### 1. INSTALL CENTRAL GATEWAY ECU (NETWORK GATEWAY ECU)

### 2. INSTALL LOWER INSTRUMENT PANEL SUB-ASSEMBLY

Click here [INFO](#)

### 3. INSTALL GLOVE COMPARTMENT DOOR ASSEMBLY

### 4. INSTALL NO. 2 INSTRUMENT PANEL UNDER COVER SUB-ASSEMBLY

**5. INSTALL COWL SIDE TRIM BOARD RH****6. INSTALL FRONT DOOR SCUFF PLATE RH****7. INSTALL NO. 2 INSTRUMENT PANEL GARNISH SUB-ASSEMBLY WITH AIR CONDITIONING CONTROL ASSEMBLY****8. INSTALL INSTRUMENT SIDE PANEL RH****9. INSTALL LOWER CENTER INSTRUMENT CLUSTER FINISH PANEL SUB-ASSEMBLY****10. INSTALL LOWER CENTER INSTRUMENT PANEL FINISH PANEL****11. INSTALL NO. 1 INSTRUMENT PANEL UNDER COVER SUB-ASSEMBLY (w/ Knee Airbag)****12. INSTALL COWL SIDE TRIM BOARD LH (w/ Knee Airbag)****13. INSTALL FRONT DOOR SCUFF PLATE LH (w/ Knee Airbag)****14. UPDATE ECU SECURITY KEY**

Click here [INFO](#)

