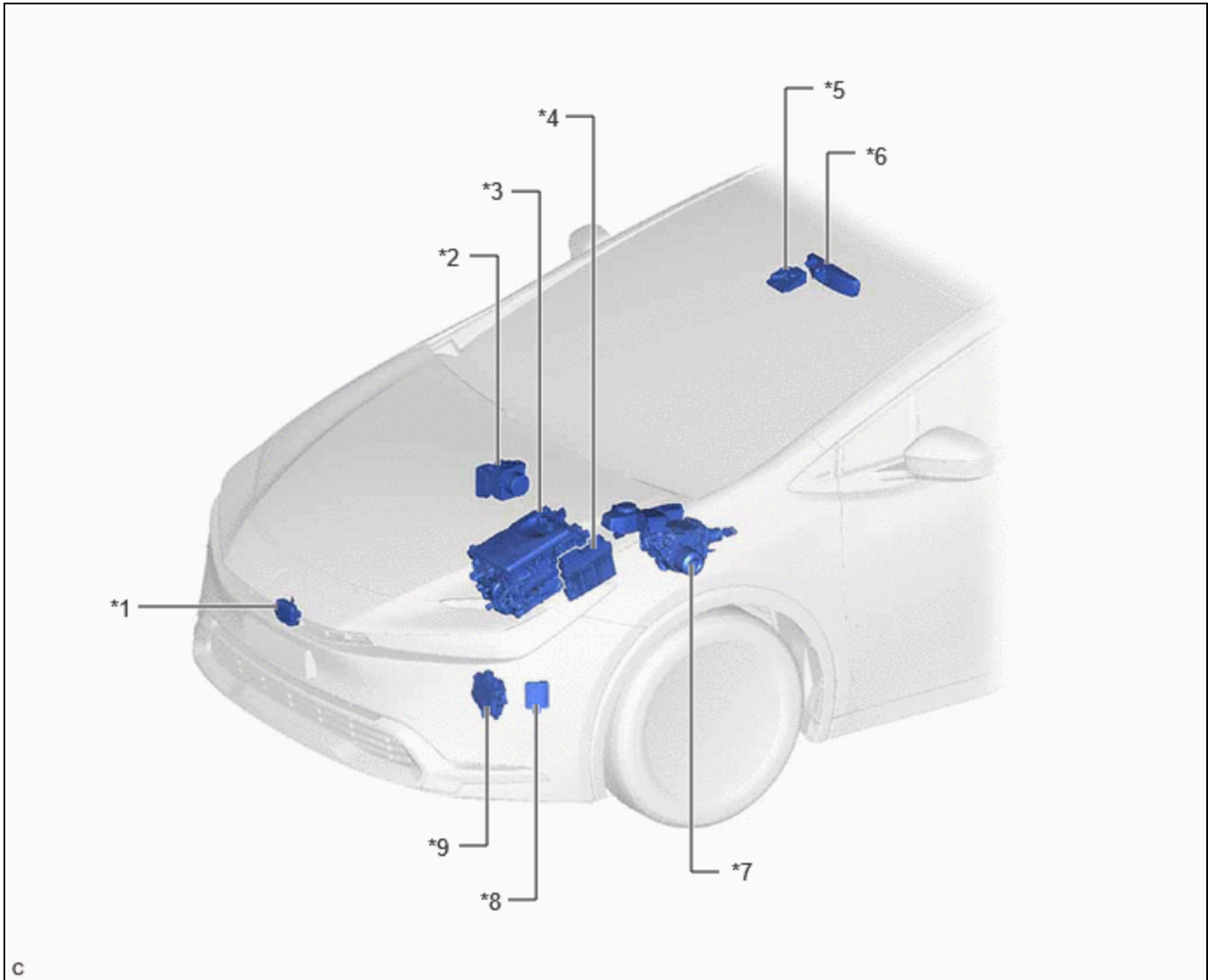


Last Modified: 12-04-2024	6.11:8.1.0	Doc ID: RM1000000029138
Model Year Start: 2023	Model: Prius	Prod Date Range: [12/2022 -]
Title: NETWORKING: CAN COMMUNICATION SYSTEM (for HEV Model): PARTS LOCATION; 2023 - 2024 MY Prius [12/2022 -]		

PARTS LOCATION

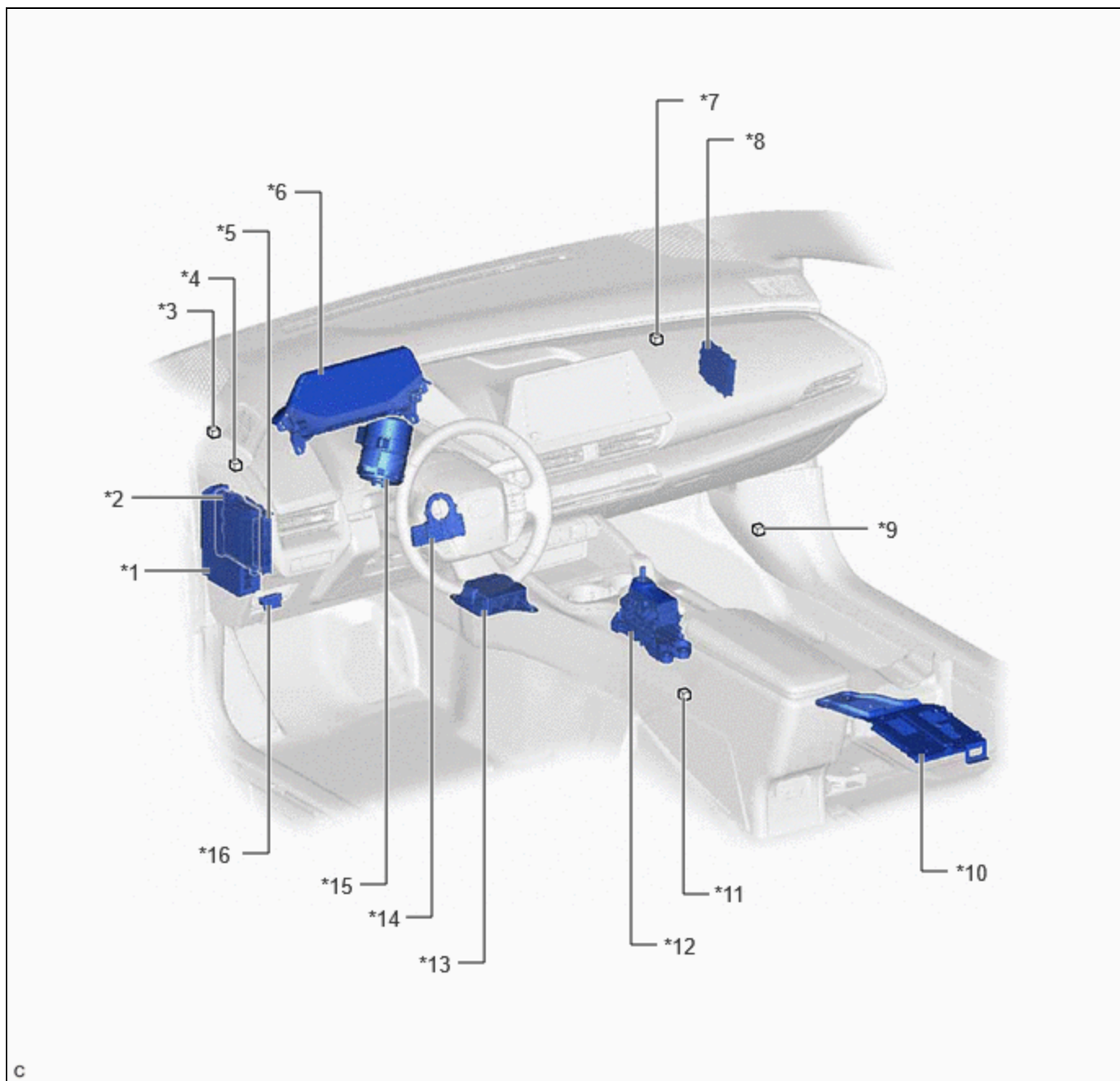
ILLUSTRATION



*1	MILLIMETER WAVE RADAR SENSOR ASSEMBLY	*2	NO. 2 SKID CONTROL ECU (BRAKE ACTUATOR ASSEMBLY)
*3	INVERTER WITH CONVERTER ASSEMBLY	*4	ECM
*5	FORWARD RECOGNITION CAMERA	*6	INNER REAR VIEW MIRROR ASSEMBLY (w/ Digital Inner Mirror System)
*7	NO. 1 SKID CONTROL ECU (BRAKE BOOSTER WITH MASTER CYLINDER ASSEMBLY)	*8	FRONT SIDE RADAR SENSOR (A) (w/ Front Side Radar Sensor System)

*9	SHIFT CONTROL ACTUATOR ASSEMBLY	-	-
----	---------------------------------	---	---

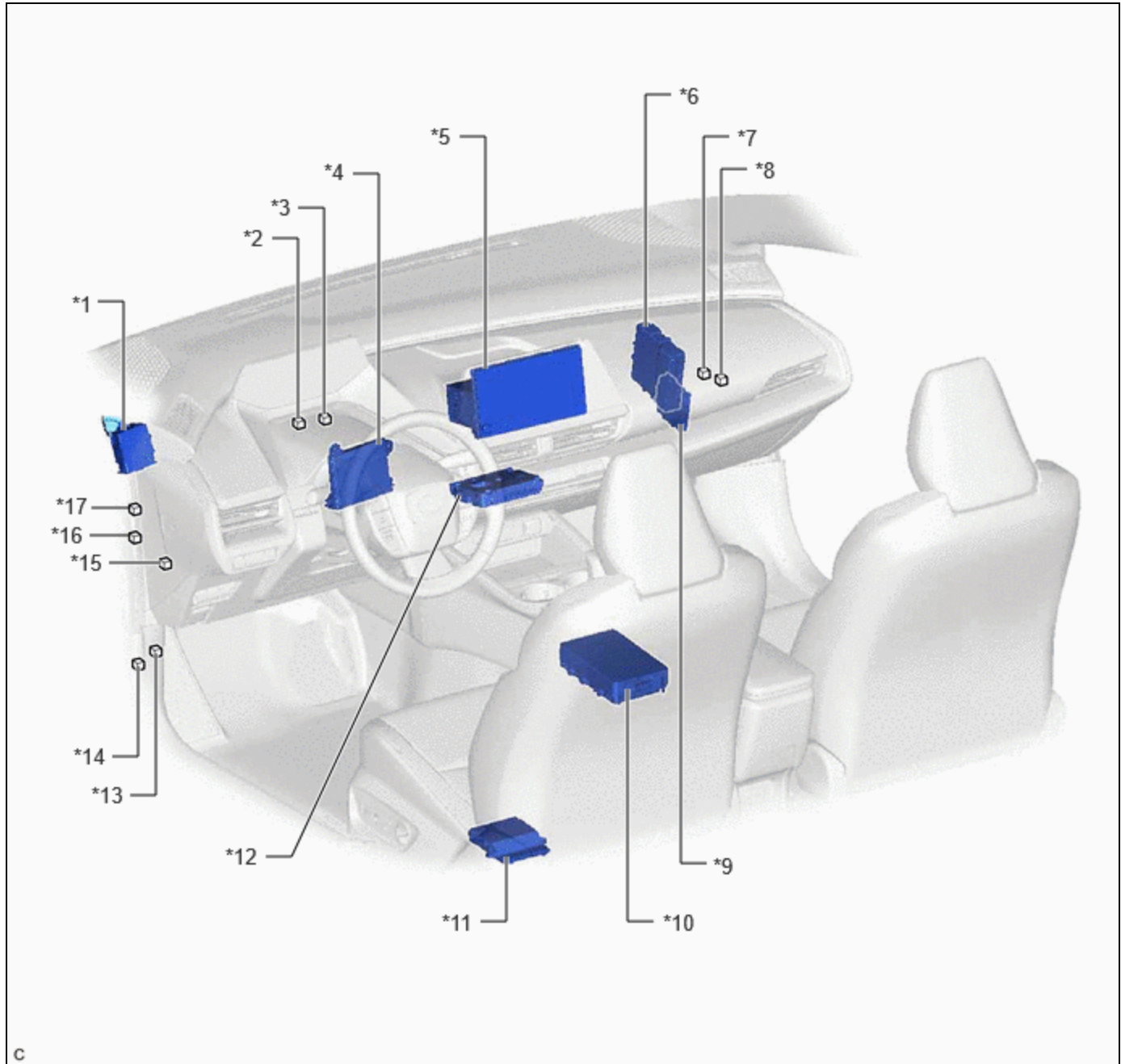
ILLUSTRATION



*1	POWER DISTRIBUTION BOX ASSEMBLY	*2	MAIN BODY ECU (MULTIPLEX NETWORK BODY ECU)
*3	NO. 2 GLOBAL CAN JUNCTION CONNECTOR	*4	NO. 4 GLOBAL CAN JUNCTION CONNECTOR
*5	CERTIFICATION ECU (SMART KEY ECU ASSEMBLY)	*6	COMBINATION METER ASSEMBLY
*7	NO. 5 GLOBAL CAN JUNCTION CONNECTOR	*8	CENTRAL GATEWAY ECU (NETWORK GATEWAY ECU)
*9	NO. 15 GLOBAL CAN JUNCTION CONNECTOR	*10	PARKING ASSIST ECU (w/ Panoramic View Monitor System)

*11	NO. 12 GLOBAL CAN JUNCTION CONNECTOR (w/ Panoramic View Monitor System)	*12	TRANSMISSION FLOOR SHIFT ASSEMBLY
*13	AIRBAG ECU ASSEMBLY	*14	STEERING SENSOR
*15	POWER STEERING ECU ASSEMBLY	*16	DLC3

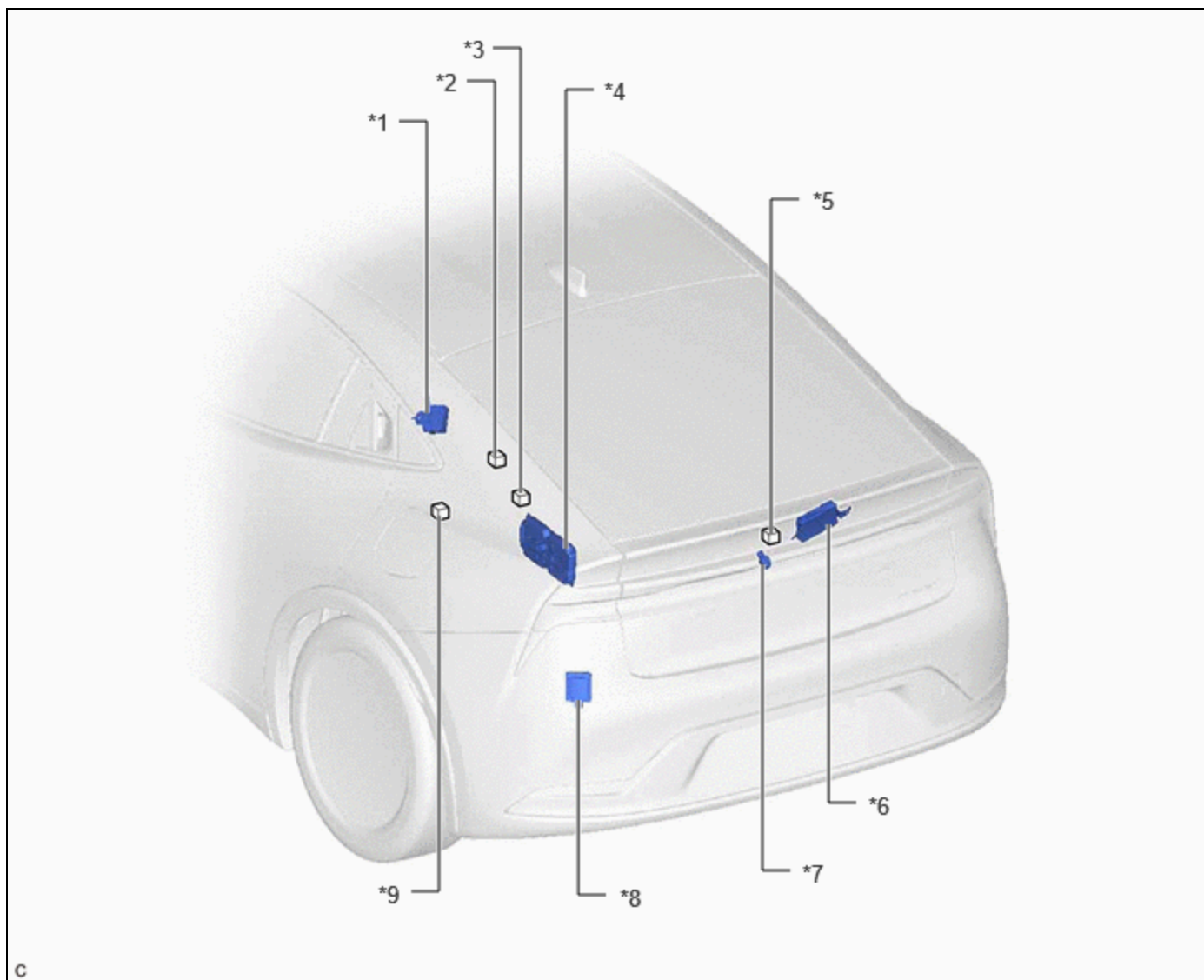
ILLUSTRATION



*1	VEHICLE APPROACHING SPEAKER CONTROLLER	*2	NO. 10 GLOBAL CAN JUNCTION CONNECTOR
*3	NO. 6 GLOBAL CAN JUNCTION CONNECTOR	*4	AIR CONDITIONING AMPLIFIER ASSEMBLY
*5	RADIO AND DISPLAY RECEIVER ASSEMBLY	*6	HYBRID VEHICLE CONTROL ECU

*7	NO. 1 CAN JUNCTION CONNECTOR	*8	NO. 3 GLOBAL CAN JUNCTION CONNECTOR
*9	CLEARANCE WARNING ECU ASSEMBLY (w/ Intuitive Parking Assist System)	*10	INTEGRATION CONTROL SUPPLY
*11	POSITION CONTROL ECU ASSEMBLY LH (w/ Seat Position Memory System)	*12	DCM (TELEMATICS TRANSCEIVER) (w/ Telematics Transceiver)
*13	NO. 13 GLOBAL CAN JUNCTION CONNECTOR	*14	OPTION CONNECTOR (BUS BUFFER ECU)
*15	NO. 7 GLOBAL CAN JUNCTION CONNECTOR	*16	NO. 2 JUNCTION CONNECTOR
*17	NO. 2 CAN JUNCTION CONNECTOR	-	-

ILLUSTRATION



*1	TIRE PRESSURE WARNING ECU AND RECEIVER	*2	NO. 14 GLOBAL CAN JUNCTION CONNECTOR
*3	NO. 11 GLOBAL CAN JUNCTION CONNECTOR	*4	BATTERY ECU ASSEMBLY

*5	NO. 16 GLOBAL CAN JUNCTION CONNECTOR (w/ Parking Assist Monitor System)	*6	MULTIPLEX NETWORK DOOR ECU (w/ Power Back Door System)
*7	REAR TELEVISION CAMERA ASSEMBLY (w/ Parking Assist Monitor System)	*8	BLIND SPOT MONITOR SENSOR LH (B)
*9	NO. 2 CAN JUNCTION TERMINAL	-	-

