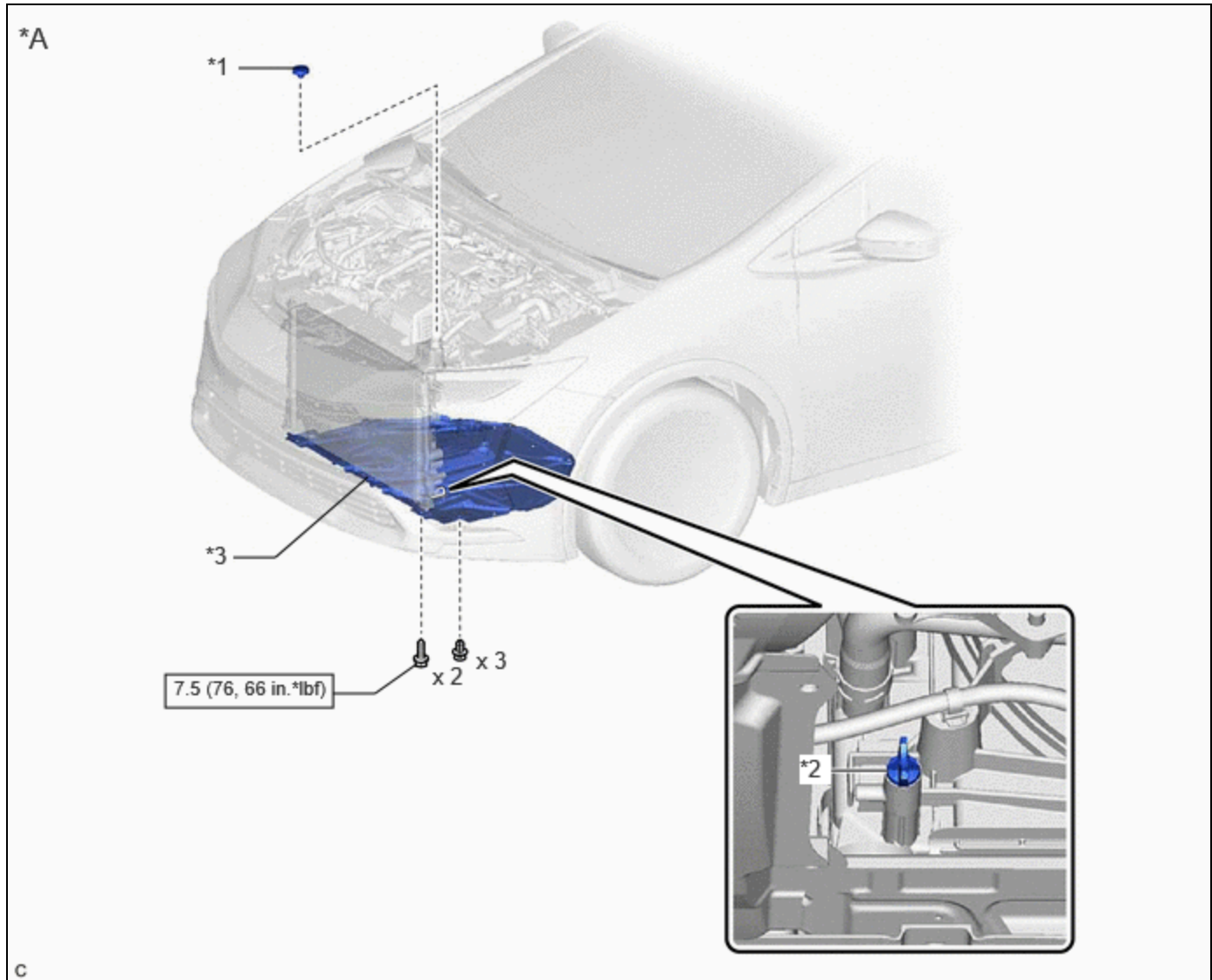
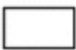


Last Modified: 12-04-2024	6.11:8.1.0	Doc ID: RM10000000291XK
Model Year Start: 2023	Model: Prius Prime	Prod Date Range: [12/2022 -]
Title: MAINTENANCE: COOLANT (for Inverter): COMPONENTS; 2023 - 2024 MY Prius Prius Prime [12/2022 -]		

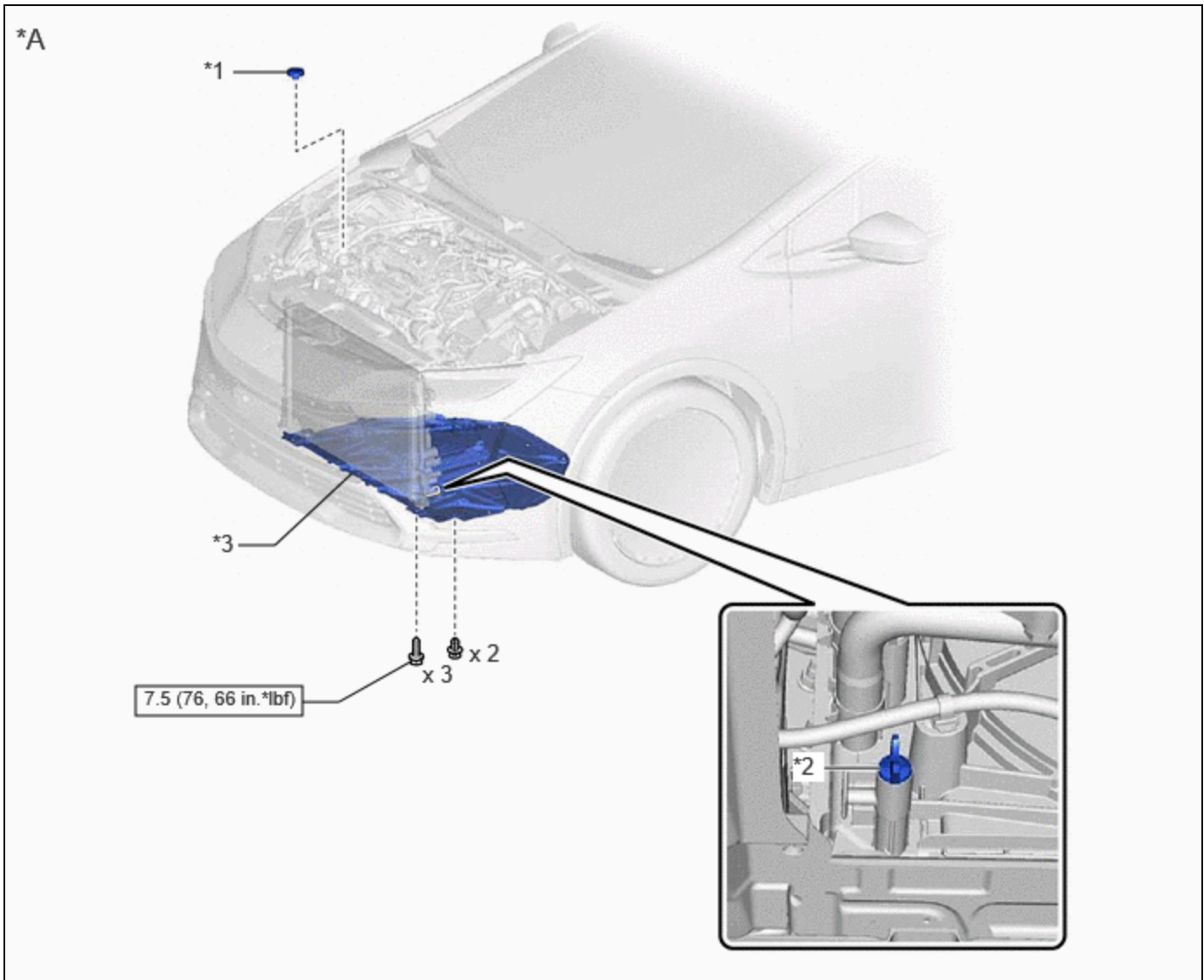
COMPONENTS


ILLUSTRATION



*A	for 2ZR-FXE	-	-
*1	RESERVE TANK CAP	*2	DRAIN COCK PLUG
*3	NO. 1 ENGINE UNDER COVER ASSEMBLY	-	-
	N*m (kgf*cm, ft.*lbf): Specified torque	-	-

ILLUSTRATION



*A	for M20A-FXS	-	-
*1	RESERVE TANK CAP	*2	DRAIN COCK PLUG
*3	NO. 1 ENGINE UNDER COVER ASSEMBLY	-	-
	N*m (kgf*cm, ft.*lbf): Specified torque	-	-

