

Last Modified: 12-04-2024	6.11:8.1.0	Doc ID: RM1000000028K52
Model Year Start: 2023	Model: Prius Prime	Prod Date Range: [12/2022 -]
Title: MAINTENANCE: TRANSMITTER BATTERY: REMOVAL; 2023 - 2024 MY Prius Prius Prime [12/2022 -]		

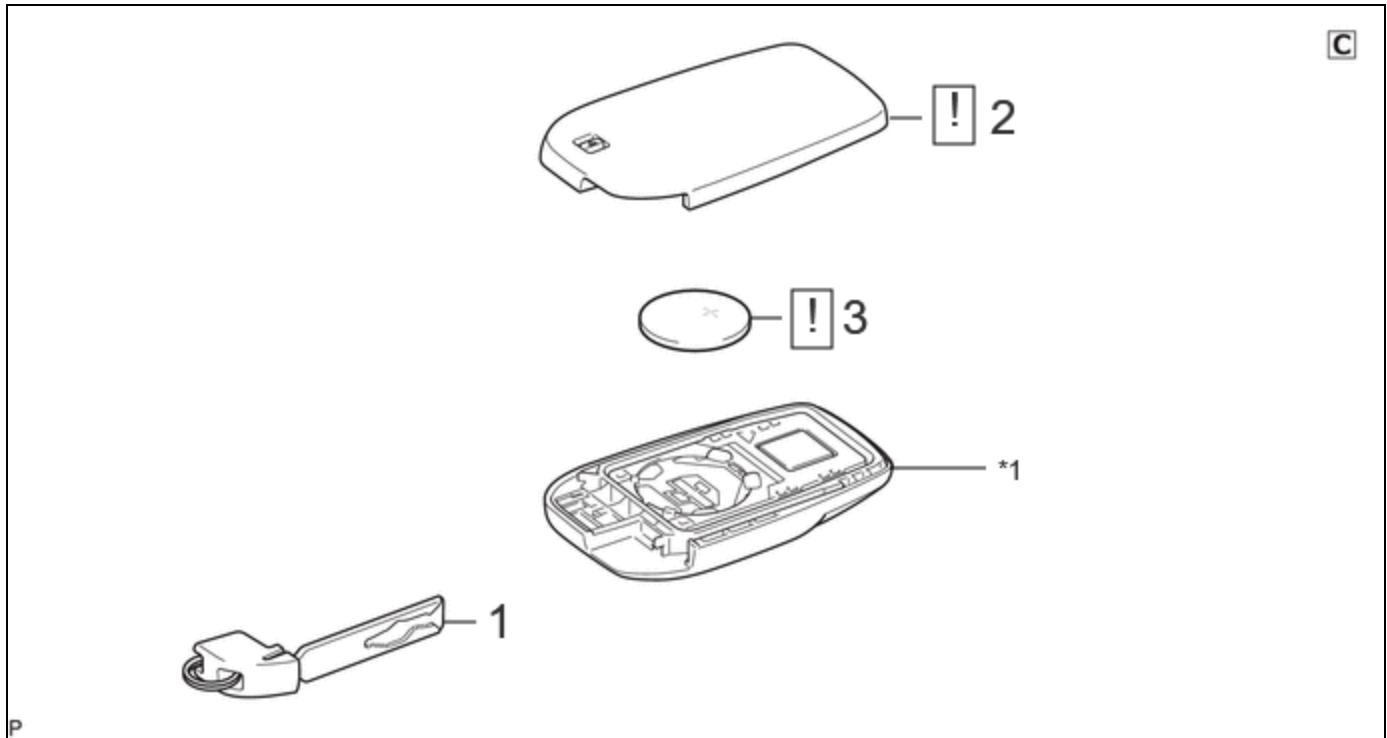
REMOVAL

CAUTION / NOTICE / HINT

NOTICE:

Take extra care when handling these precision electronic components.

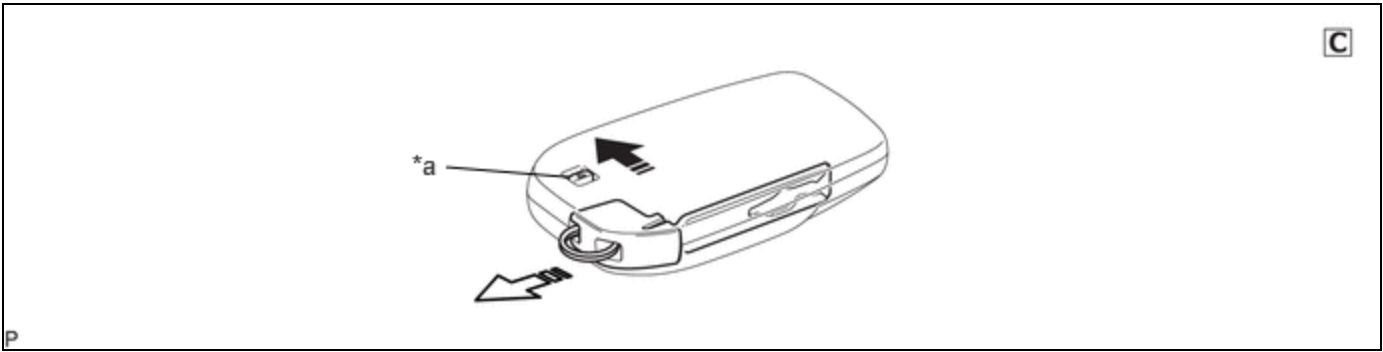
COMPONENTS (REMOVAL)



PROCEDURE		PART NAME CODE	!	📄	⚙️
1	CUT KEY	69503B	-	-	-
2	TRANSMITTER BATTERY HOUSING COVER	-	INFO	-	-
3	TRANSMITTER BATTERY	89745A	INFO	-	-
*1	TRANSMITTER HOUSING CASE				

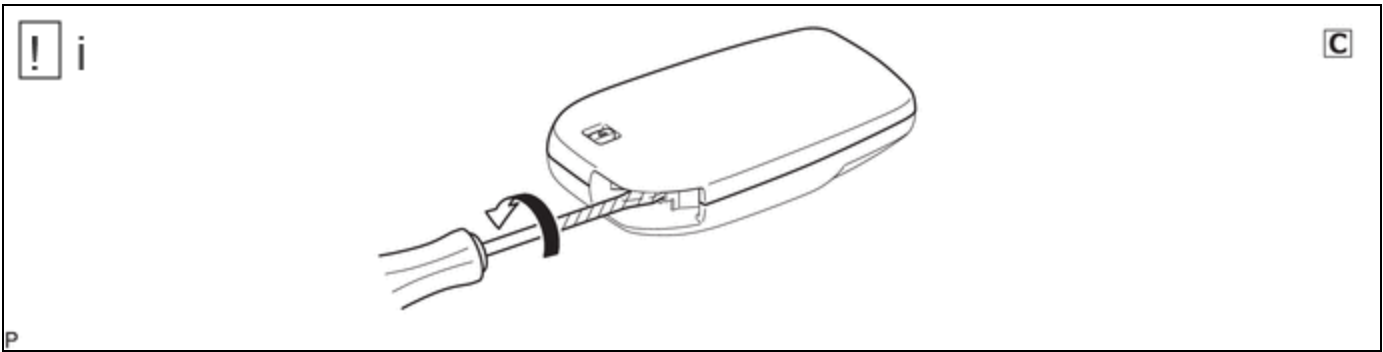
PROCEDURE

1. REMOVE CUT KEY



*a	Release Hook Knob	-	-
	Slide in this Direction		Remove in this Direction

2. REMOVE TRANSMITTER BATTERY HOUSING COVER

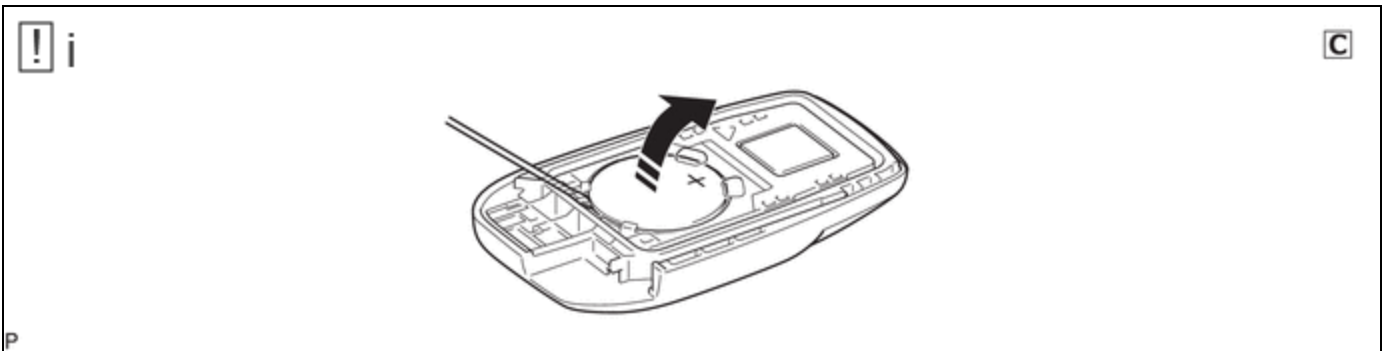


(1) Insert a screwdriver with its tip wrapped in protective tape into the gap, and turn the screwdriver to remove the transmitter housing cover.

NOTICE:

Do not use excessive force when prying apart the transmitter housing cover.

3. REMOVE TRANSMITTER BATTERY



	Remove in this Direction	-	-
--	--------------------------	---	---

(1) Insert a screwdriver with its tip wrapped in protective tape into the gap, and gently remove the transmitter battery (lithium battery: CR2450) as shown in the illustration.

NOTICE:

- Do not push the terminals with your finger.
- Do not forcibly pry up the transmitter battery (lithium battery: CR2450) as the terminals may be damaged.
- Do not touch the transmitter battery (lithium battery: CR2450) with wet hands. Moisture may cause rust.
- Do not touch or move any components inside the transmitter housing case. It may interfere with proper operation.
- When replacing the transmitter battery (lithium battery: CR2450), before starting work, remove static electricity that has built up in the body by touching, for example, the vehicle to prevent the electrical key transmitter sub-assembly from being damaged.

