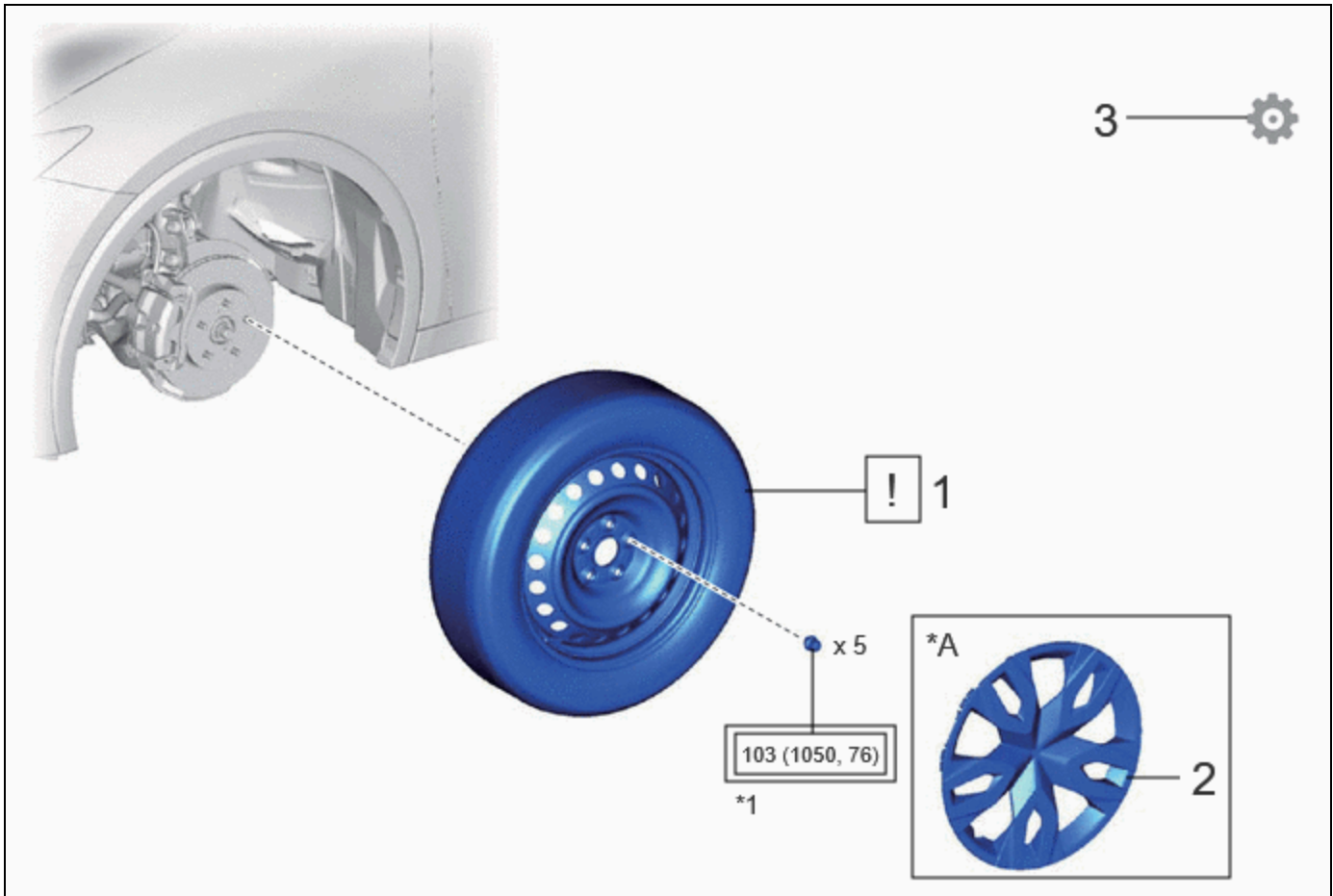


<b>Last Modified:</b> 12-04-2024	6.11:8.1.0	<b>Doc ID:</b> RM100000002A359
<b>Model Year Start:</b> 2023	<b>Model:</b> Prius Prime	<b>Prod Date Range:</b> [12/2022 - ]
<b>Title:</b> MAINTENANCE: TIRE AND WHEEL: INSTALLATION; 2023 - 2024 MY Prius Prius Prime [12/2022 - ]		

## INSTALLATION


### CAUTION / NOTICE / HINT

#### COMPONENTS (INSTALLATION)




	PROCEDURE	PART NAME CODE	!	📄	⚙️
1	WHEEL ASSEMBLY	-	INFO	-	-
2	WHEEL CAP	42621	-	-	-
3	PERFORM INITIALIZATION	-	-	-	INFO

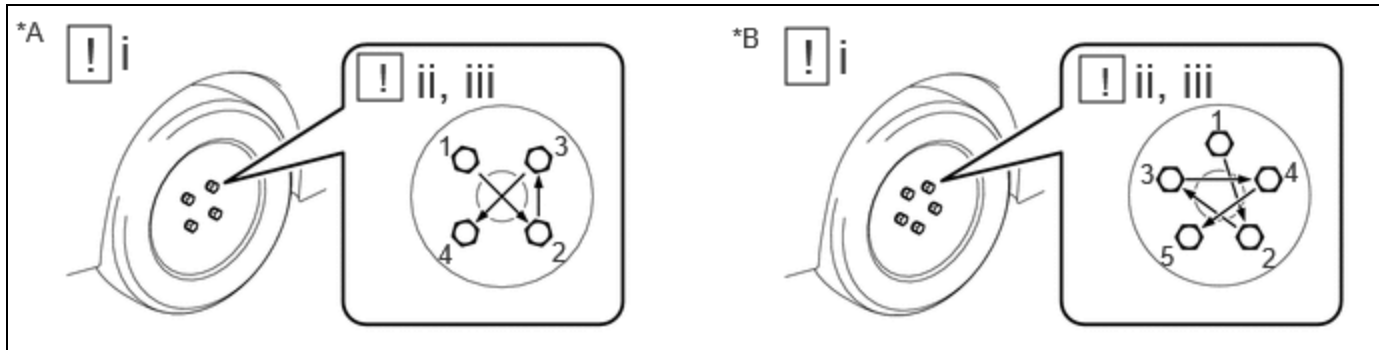
*A	w/ Wheel Cap	-	-
*1	AXLE HUB NUT	-	-

	Tightening torque for "Major areas involving basic vehicle performance such as moving/turning/stopping": N*m (kgf*cm, ft.*lbf)	-	-
---	--	---	---

## PROCEDURE

### 1. INSTALL WHEEL ASSEMBLY

	<p><b>NOTICE:</b></p> <ul style="list-style-type: none"> <li>• Only use axle hub nuts that are compatible with the wheel. If incompatible axle hub nuts are used, the contact surface of the wheel and axle hub nut may become deformed or damaged. This may result in looseness or loss of one or more axle hub nuts, even if they are tightened to the correct torque.</li> <li>• Check that there is no foreign matter or rust on the axle hub bolts and the contact surfaces of the wheel, brake disc, axle hub, etc. Clean the contact surfaces and axle hub bolts if necessary. If a wheel assembly is installed with foreign matter or rust between the contact surfaces, the foreign matter or rust may work loose. This may result in looseness or loss of one or more axle hub nuts, even if they are tightened to the correct torque.</li> <li>• When installing the axle hub nuts, clean the axle hub bolts with non-residue solvent and check that the axle hub nuts rotate smoothly by hand. If the axle hub nuts do not rotate smoothly, check that there is no foreign matter or rust and clean if necessary. If the axle hub nuts still do not rotate smoothly, replace the axle hub nuts and axle hub bolts with new ones.</li> </ul>
---	---



*A	for 4 Bolt Axle Hub	*B	for 5 Bolt Axle Hub
----	---------------------	----	---------------------

- (1) While aligning the wheel assembly with the center of the axle hub, install the axle hub nuts by hand.
- (2) Temporarily tighten the axle hub nuts in the order shown in the illustration.
- (3) Lower the vehicle then fully tighten the axle hub nuts in the order shown in the illustration.

**Torque:**

**103 N·m {1050 kgf·cm, 76 ft·lbf}**

### 2. INSTALL WHEEL CAP (w/ Wheel Cap)

### 3. PERFORM INITIALIZATION

for Tire pressure warning system: Click here [INFO](#)

**HINT:**

Refer to Procedures Necessary When Replacing Parts (for Tire Pressure Warning System).

for Parking assist monitor system: Click here [INFO](#)

for Panoramic view monitor system: Click here [INFO](#)

for Advanced park: Click here [INFO](#)

