

Last Modified: 12-04-2024	6.11:8.1.0	Doc ID: RM100000002B301
Model Year Start: 2023	Model: Prius Prime	Prod Date Range: [03/2023 -]
Title: MAINTENANCE: REAR WHEEL ALIGNMENT: ADJUSTMENT; 2023 - 2024 MY Prius Prius Prime [03/2023 -]		

ADJUSTMENT

CAUTION / NOTICE / HINT

The necessary procedures (adjustment, calibration, initialization, or registration) that must be performed after completing the rear wheel alignment procedure are shown below.

Necessary Procedures After Parts Removed/Installed/Replaced

REPLACED PART OR PERFORMED PROCEDURE	NECESSARY PROCEDURE	EFFECT/INOPERATIVE FUNCTION WHEN NECESSARY PROCEDURE NOT PERFORMED	LINK
Rear wheel alignment adjustment	Perform "Calibration"	<ul style="list-style-type: none"> • DTCs are stored • ABS warning light illuminates • Brake system warning light (yellow indicator) illuminates • Slip indicator light illuminates • Electronically controlled brake system disabled or malfunctions 	INFO

PROCEDURE

1. INSPECT TIRES

(a) Inspect the tires for wear and proper inflation pressure.

Click here [INFO](#)

(b) Check the runout of the tires.

Click here [INFO](#)

2. MEASURE VEHICLE HEIGHT

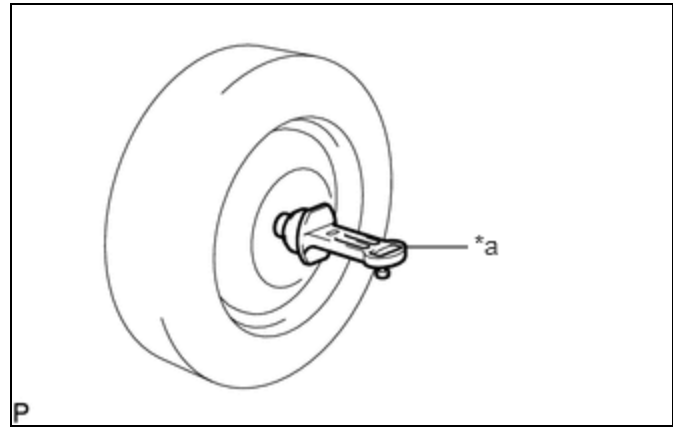
Click here [INFO](#)

3. INSPECT CAMBER

NOTICE:

Inspect while the vehicle is unloaded.

(a) Install a camber-caster-kingpin gauge.



*a	Camber-caster-kingpin Gauge
----	-----------------------------

(b) Inspect the camber.

Camber (Unloaded Vehicle):

ENGINE	DRIVE TYPE	CAMBER INCLINATION	RIGHT-LEFT DIFFERENCE
M20A-FXS	2WD	-1°12' +/- 0°45' (-1.20° +/- 0.75°) -1°16' +/- 0°45' (-1.27° +/- 0.75°)*	0°45' (0.75°) or less
	AWD	-1°14' +/- 0°45' (-1.23° +/- 0.75°)	
2ZR-FXE	2WD	-1°04' +/- 0°45' (-1.07° +/- 0.75°)	
*:for PHEV			

HINT:

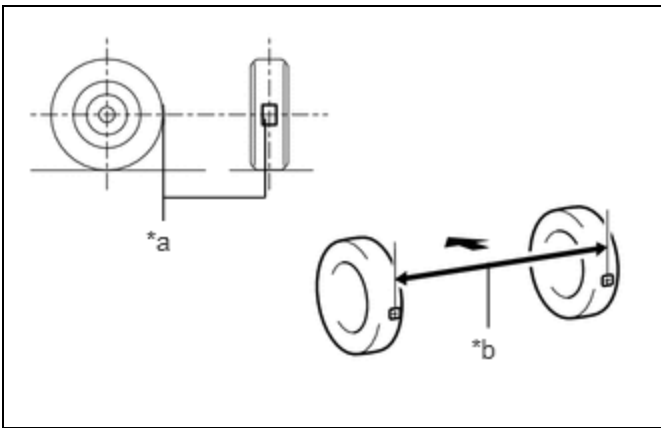
Camber is not adjustable. If the measurement is not within the specified range, inspect the suspension parts for damage and/or wear, and replace them if necessary.

4. INSPECT TOE-IN

NOTICE:

Inspect while the vehicle is unloaded.

- (a) Bounce the vehicle up and down at the corners to stabilize the suspension.
- (b) Release the parking brake and move the shift lever to N.
- (c) Push the vehicle straight ahead approximately 5 m (16.4 ft.). (Step A)
- (d) Put tread center marks on the rearmost points of the rear wheels and measure the distance between the marks (dimension B).



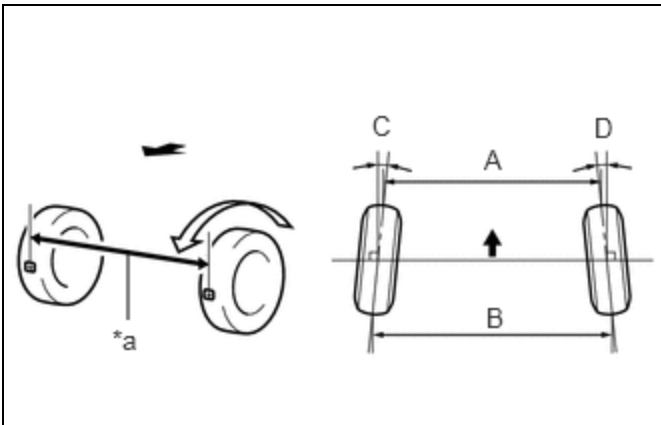
*a	Tread Center Mark
*b	Dimension B
	Front of the Vehicle

(e) Slowly push the vehicle straight ahead to cause the rear wheels to rotate 180°. Use the rear tire valve as a reference point.

HINT:

Do not allow the wheels to rotate more than 180°. If the wheels rotate more than 180°, perform the procedure from step A again.

(f) Measure the distance between the tread center marks on the front of the rear wheels (dimension A).



*a	Dimension A
	Front of the Vehicle

Toe-in (Unloaded Vehicle):

ENGINE	DRIVE TYPE	TIRE SIZE	SPECIFIED CONDITION	RIGHT-LEFT DIFFERENCE
M20A-FXS	2WD	195/60R17	C + D: 0°16' +/- 0°10' (0.26° +/- 0.17°) C + D: 0°17' +/- 0°10' (0.28° +/- 0.17°)*	-
			B - A: 3.0 +/- 2.0 mm (0.118 +/- 0.0787 in.)	
*:for PHEV				

ENGINE	DRIVE TYPE	TIRE SIZE	SPECIFIED CONDITION	RIGHT-LEFT DIFFERENCE
			B - A: 3.2 +/- 2.0 mm (0.126 +/- 0.0787 in.)*	
			C + D: 0°16' +/- 0°10' (0.26° +/- 0.17°) C + D: 0°17' +/- 0°10' (0.28° +/- 0.17°)*	-
		195/50R19	B - A: 3.1 +/- 2.0 mm (0.122 +/- 0.0787 in.) B - A: 3.3 +/- 2.0 mm (0.13 +/- 0.0787 in.)*	2.0 mm (0.0787 in.) or less
			C + D: 0°16' +/- 0°10' (0.27° +/- 0.17°)	-
	AWD	195/60R17	B - A: 3.1 +/- 2.0 mm (0.122 +/- 0.0787 in.)	2.0 mm (0.0787 in.) or less
			C + D: 0°16' +/- 0°10' (0.27° +/- 0.17°)	-
		195/50R19	B - A: 3.2 +/- 2.0 mm (0.126 +/- 0.0787 in.)	2.0 mm (0.0787 in.) or less
			C + D: 0°16' +/- 0°10' (0.27° +/- 0.17°)	-
2ZR-FXE	2WD	195/60R17	C + D: 0°16' +/- 0°10' (0.27° +/- 0.17°)	-
			B - A: 3.1 +/- 2.0 mm (0.122 +/- 0.0787 in.)	2.0 mm (0.0787 in.) or less

*:for PHEV

HINT:

Measure "B - A" only when "C + D" cannot be measured.

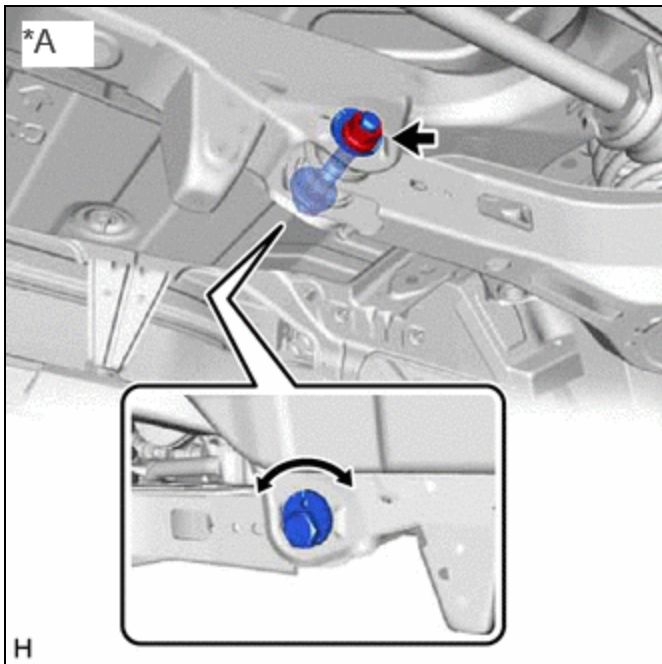
If the toe-in is not within the specified range, adjust it at the rear suspension toe adjust cam sub-assembly.

5. ADJUST TOE-IN

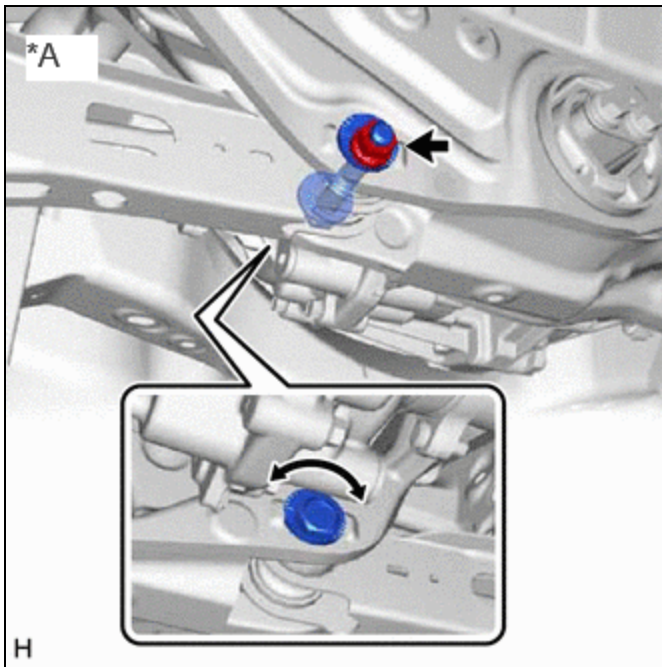
- (a) Loosen the nut of the rear No. 2 suspension arm assembly (on the rear suspension member sub-assembly side).

NOTICE:

Hold the rear suspension toe adjust cam sub-assembly while rotating the nut.



*A for HEV Model 2WD



*A for HEV Model AWD, PHEV Model

(b) Rotate the rear suspension toe adjust cam sub-assembly to adjust the toe-in.

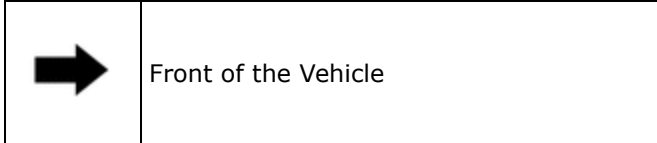
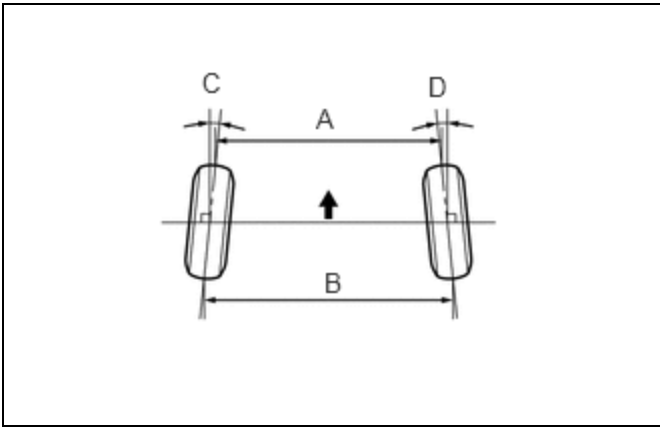
Toe-in (Unloaded Vehicle):

ENGINE	DRIVE TYPE	TIRE SIZE	SPECIFIED CONDITION	RIGHT-LEFT DIFFERENCE
M20A-FXS	2WD	195/60R17	C + D: 0°16' +/- 0°10' (0.26° +/- 0.17°) C + D: 0°17' +/- 0°10' (0.28° +/- 0.17°)*	-
			B - A: 3.0 +/- 2.0 mm (0.118 +/- 0.0787 in.) B - A: 3.2 +/- 2.0 mm (0.126 +/- 0.0787 in.)*	2.0 mm (0.0787 in.) or less
		195/50R19	C + D: 0°16' +/- 0°10' (0.26° +/- 0.17°) C + D: 0°17' +/- 0°10' (0.28° +/- 0.17°)*	-
			B - A: 3.1 +/- 2.0 mm (0.122 +/- 0.0787 in.) B - A: 3.3 +/- 2.0 mm (0.13 +/- 0.0787 in.)*	2.0 mm (0.0787 in.) or less
	AWD	195/60R17	C + D: 0°16' +/- 0°10' (0.27° +/- 0.17°) B - A: 3.1 +/- 2.0 mm (0.122 +/- 0.0787 in.)	- 2.0 mm (0.0787 in.) or less
			195/50R19	C + D: 0°16' +/- 0°10' (0.27° +/- 0.17°) B - A: 3.2 +/- 2.0 mm (0.126 +/- 0.0787 in.)
2ZR-FXE	2WD	195/60R17	C + D: 0°16' +/- 0°10' (0.27° +/- 0.17°) B - A: 3.1 +/- 2.0 mm (0.122 +/- 0.0787 in.)	- 2.0 mm (0.0787 in.) or less

*:for PHEV

HINT:

- Rotating the rear suspension toe adjust cam sub-assembly by one notch changes the toe by approximately 2.6 mm (0.102 in.).
- Perform adjustments so that the value is as close as possible to the median of the specified range.



(c) Tighten the nut of the rear No. 2 suspension arm assembly (on the rear suspension member sub-assembly side).

Torque:

100 N·m {1020 kgf·cm, 74 ft·lbf}

NOTICE:

Hold the rear suspension toe adjust cam sub-assembly while rotating the nut.

6. ALIGN FRONT WHEELS FACING STRAIGHT AHEAD

7. PERFORM CALIBRATION

