

<b>Last Modified:</b> 12-04-2024	6.11:8.1.0	<b>Doc ID:</b> RM100000002BZQG
<b>Model Year Start:</b> 2023	<b>Model:</b> Prius Prime	<b>Prod Date Range:</b> [03/2023 - ]
<b>Title:</b> MAINTENANCE: REAR BRAKE FLEXIBLE HOSE: REMOVAL; 2023 - 2024 MY Prius Prius Prime [03/2023 - ]		

## REMOVAL

### CAUTION / NOTICE / HINT

The necessary procedures (adjustment, calibration, initialization, or registration) that must be performed after parts are removed and installed, or replaced during rear brake flexible hose removal/installation are shown below.

#### **Necessary Procedures After Parts Removed/Installed/Replaced**

REPLACED PART OR PERFORMED PROCEDURE	NECESSARY PROCEDURE	EFFECT/INOPERATIVE FUNCTION WHEN NECESSARY PROCEDURE NOT PERFORMED	LINK
Tires	<ul style="list-style-type: none"> <li>Initialization*1*2</li> <li>Tire Position Identification*1*2</li> </ul>	Tire Pressure Warning System	Refer to Procedures Necessary When Replacing Parts (for Tire Pressure Warning System) <a href="#">INFO</a>
	Rear television camera assembly optical axis (Back camera position setting)*3	Parking Assist Monitor System	<a href="#">INFO</a>
	Parking assist ECU initialization*3	Panoramic View Monitor System	<a href="#">INFO</a>
		Advanced Park	<a href="#">INFO</a>
<p>*1: Also necessary after performing a tire rotation.</p> <p>*2: It is not necessary to perform this procedure if the tire pressure warning valve and transmitters are installed to the same location.</p> <p>*3: The vehicle height changes because of tire replacement.</p>			

#### **HINT:**

When the cable is disconnected / reconnected to the auxiliary battery terminal, systems temporarily stop operating. However, each system has a function that completes learning the first time the system is used.

#### **Items for which learning is completed by driving the vehicle**

EFFECT/INOPERATIVE FUNCTION WHEN NECESSARY PROCEDURE NOT PERFORMED	NECESSARY PROCEDURE	LINK
Front Camera System	Drive the vehicle straight ahead at 35 km/h (22 mph) or more for 5 seconds or more.	<a href="#">INFO</a>

#### **Items for which learning is completed by operating the vehicle normally**

EFFECT/INOPERATIVE FUNCTION WHEN NECESSARY PROCEDURE NOT PERFORMED	NECESSARY PROCEDURE	LINK
Power Door Lock Control System*1 <ul style="list-style-type: none"> <li>• Back door opener</li> </ul>	Perform door unlock operation with door control switch or electrical key transmitter sub-assembly switch.	<a href="#">INFO</a>
Power Back Door System*2	Reset back door close position	<a href="#">INFO</a>
Air Conditioning System	<p><b>for HEV Model:</b></p> <p>After the ignition switch is turned to ON, the servo motor standard position is recognized.</p> <p><b>for PHEV Model:</b></p> <p>After the ignition switch is turned to ON, the servo motor and expansion valve standard position is recognized.</p>	-
<p>*1: w/o Power Back Door System</p> <p>*2: w/ Power Back Door System</p>		

## CAUTION / NOTICE / HINT

### NOTICE:

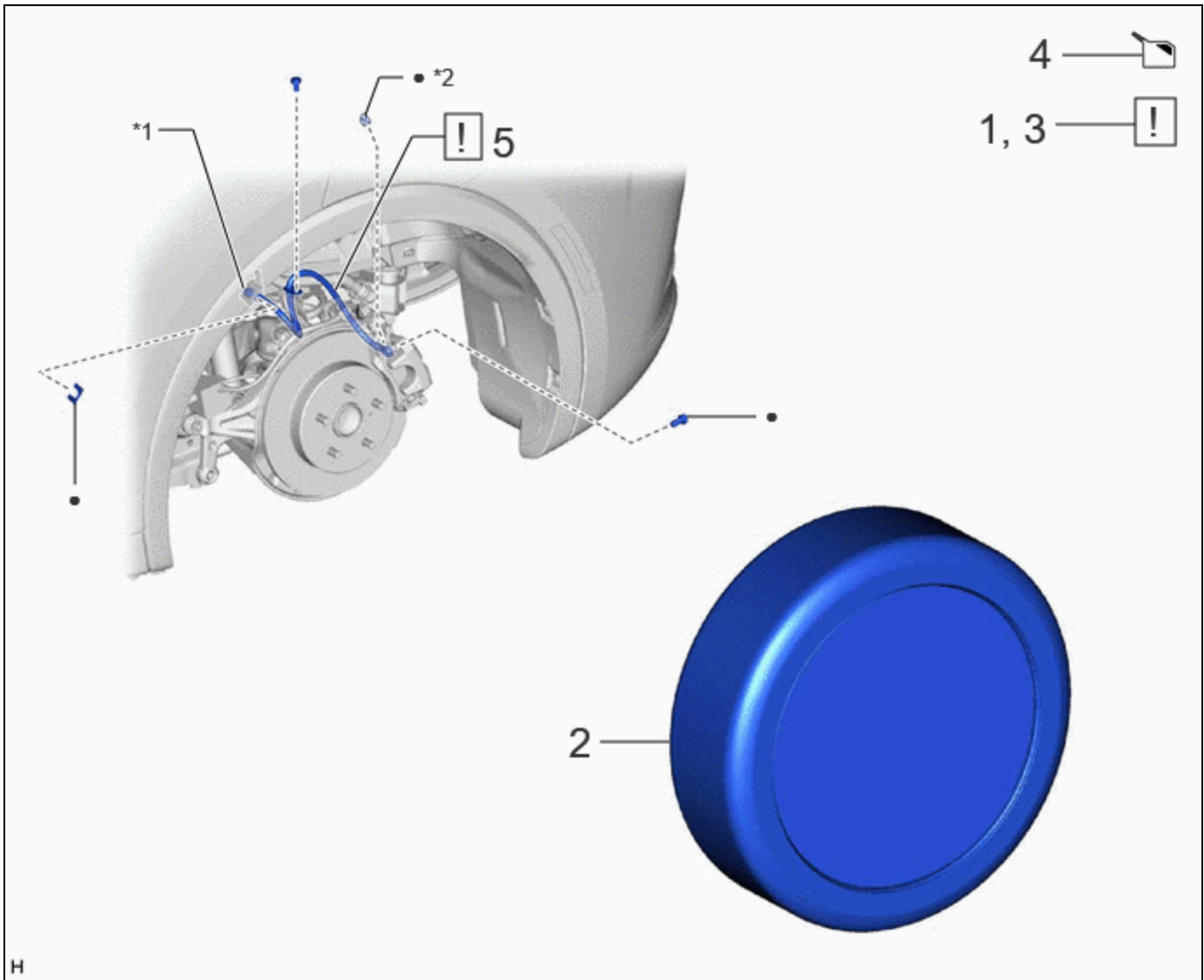
If both left and right rear flexible hoses are disconnected at the same time, be sure to place an identification mark on each hose to indicate its installation position.

### HINT:

- Use the same procedure for the RH side and LH side.
- The following procedure is for the LH side.

## CAUTION / NOTICE / HINT

### COMPONENTS (REMOVAL)



PROCEDURE		PART NAME CODE			
1	PRECAUTION	-	<a href="#">INFO</a>	-	-
2	REAR WHEEL	-	-	-	-
3	DISABLE BRAKE CONTROL	-	<a href="#">INFO</a>	-	-
4	DRAIN BRAKE FLUID	-	-	<a href="#">INFO</a>	-
5	REAR FLEXIBLE HOSE	47319F	<a href="#">INFO</a>	-	-

*1	BRAKE LINE	*2	GASKET
•	Non-reusable part	-	-

## PROCEDURE

### 1. PRECAUTION

**NOTICE:**

After the ignition switch is turned off, there may be a waiting time before disconnecting the negative (-) auxiliary battery terminal.

Click here [INFO](#)

**2. REMOVE REAR WHEEL**

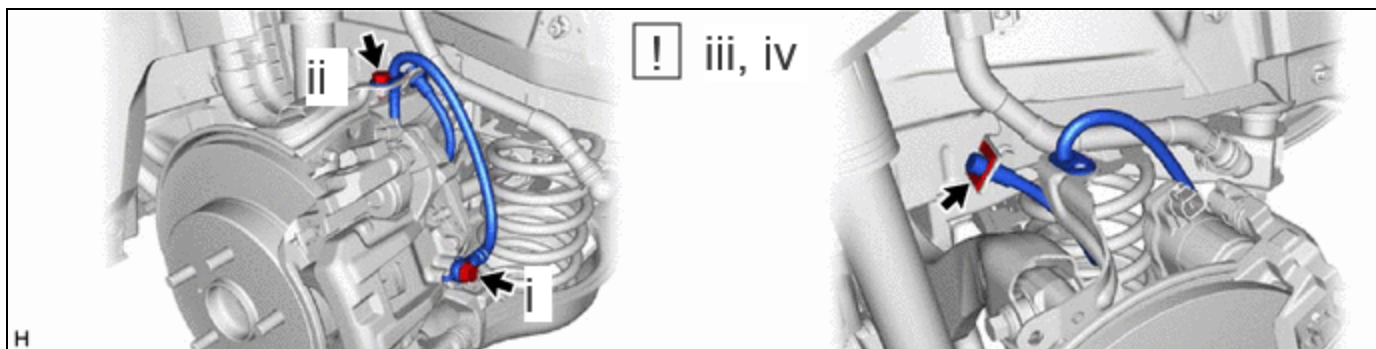
Click here [INFO](#)

**3. DISABLE BRAKE CONTROL**

Click here [INFO](#)

**4. DRAIN BRAKE FLUID****NOTICE:**

If brake fluid leaks onto any painted surface, immediately wash it off.

**5. REMOVE REAR FLEXIBLE HOSE**

- (1) Remove the union bolt and gasket, and disconnect the rear flexible hose from the rear disc brake cylinder assembly.
- (2) Remove the bolt and separate the rear flexible hose.
- (3) Using a union nut wrench, disconnect the brake line while holding the rear flexible hose with a wrench.

**NOTICE:**

- Do not kink or damage the brake line.
- Do not allow any foreign matter such as dirt or dust to enter the brake line from the connecting parts.

- (4) Remove the clip and rear flexible hose from the vehicle body.

