

<b>Last Modified:</b> 12-04-2024	6.11:8.1.0	<b>Doc ID:</b> RM1000000029YN2
<b>Model Year Start:</b> 2023	<b>Model:</b> Prius Prime	<b>Prod Date Range:</b> [12/2022 - ]
<b>Title:</b> MAINTENANCE: Q810 HYBRID TRANSAXLE FLUID: REPLACEMENT; 2023 - 2024 MY Prius Prius Prime [12/2022 - ]		

## REPLACEMENT

### CAUTION / NOTICE / HINT

#### **NOTICE:**

For the hybrid transaxle fluid, use TOYOTA GENUINE e-Transaxle Fluid TE.

Using hybrid transaxle fluid other than the above type may cause abnormal noise or vibration, or ultimately damage the transaxle of the vehicle.

## PROCEDURE

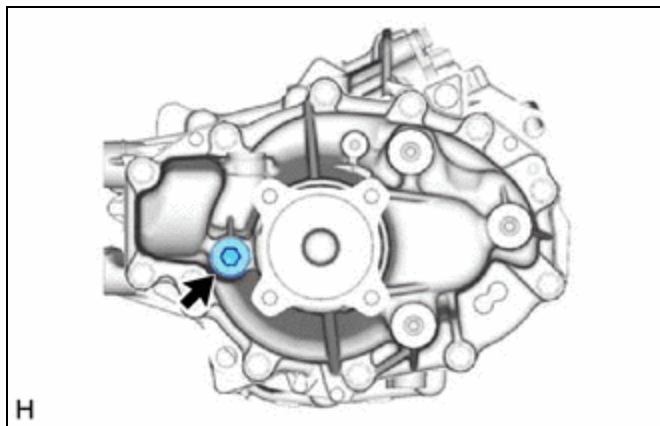
### **1. REPLACE HYBRID TRANSAXLE FLUID**

(a) Lift the vehicle.

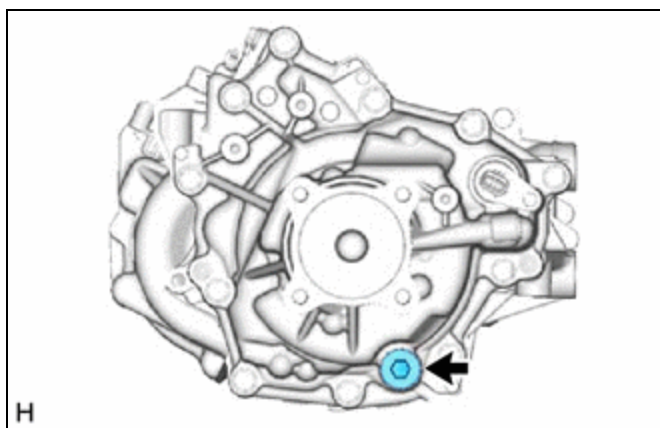
#### **NOTICE:**

Set the vehicle on a lift so that the vehicle is kept level when it is lifted up (make sure that the tilt angle from the front to rear of the vehicle is within +/- 1°).

(b) Using a 10 mm hexagon socket wrench, remove the filler plug and gasket from the rear traction motor with transaxle assembly.



(c) Using a 10 mm hexagon socket wrench, remove the drain plug and gasket from the rear traction motor with transaxle assembly and drain the hybrid transaxle fluid.



(d) Using a 10 mm hexagon socket wrench, install a new gasket and the drain plug to the rear traction motor with transaxle assembly.

**Torque:**

**50 N·m {510 kgf·cm, 37 ft·lbf}**

(e) Add hybrid transaxle fluid until the hybrid transaxle fluid level is between 0 to 5 mm (0 to 0.197 in.) from the bottom lip of the filler plug opening. [#]

Hybrid Transaxle Fluid Standard Capacity (for Reference):

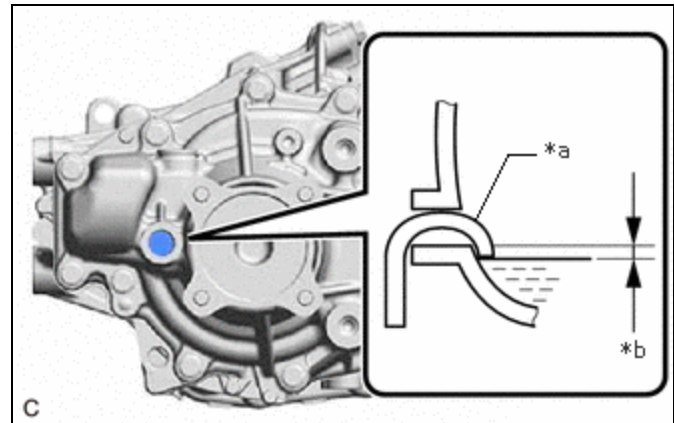
1.4 liters (1.5 US qts, 1.2 Imp. qts)

**NOTICE:**

- Use TOYOTA GENUINE e-Transaxle Fluid TE.

Using hybrid transaxle fluid other than the above type may cause abnormal noise or vibration, or ultimately damage the transaxle of the vehicle.

- Be sure to fully insert the filler nozzle into the filler plug opening.
- Be sure to add hybrid transaxle fluid slowly. If hybrid transaxle fluid is added quickly, the hybrid transaxle fluid may hit internal parts and bounce back, resulting in hybrid transaxle fluid coming out of the filler plug opening.
- Be sure to directly check that the hybrid transaxle fluid level is within the specified range.
- Driving the vehicle with an insufficient or excessive amount of hybrid transaxle fluid may damage the rear traction motor with transaxle assembly.



*a	Filler Nozzle
*b	0 to 5 mm (0 to 0.197 in.)

(f) After adding hybrid transaxle fluid, leave the vehicle for 30 seconds so that the hybrid transaxle fluid surface can become still again, and then check that the hybrid transaxle fluid level is between 0 to 5 mm (0 to 0.197 in.) from the bottom lip of the filler plug opening. (If the hybrid transaxle fluid level is low, repeat this procedure from step [#].)

**NOTICE:**

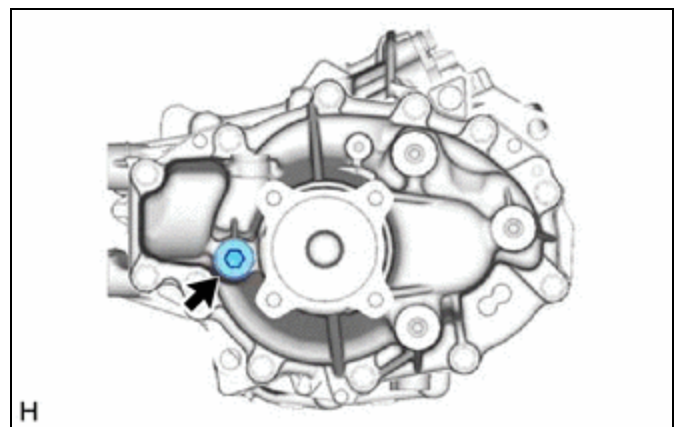
After adding hybrid transaxle fluid, make sure to check the hybrid transaxle fluid level.

Click here [INFO](#)

(g) Using a 10 mm hexagon socket wrench, install a new gasket and the filler plug to the rear traction motor with transaxle assembly.

**Torque:**

**50 N·m {510 kgf·cm, 37 ft·lbf}**



(h) Check for hybrid transaxle fluid leaks.

Click here [INFO](#)

(i) Lower the vehicle.

