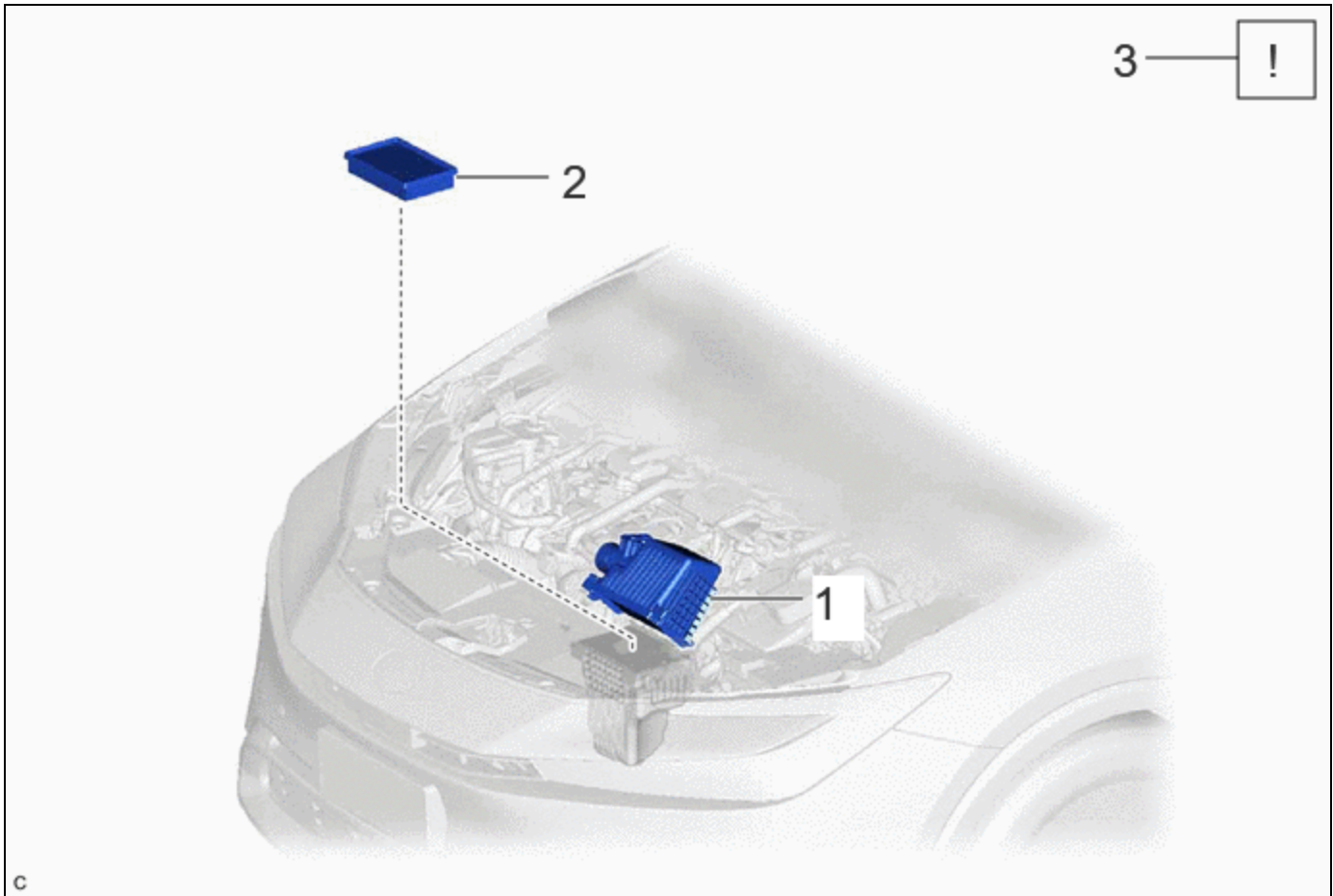


Last Modified: 12-04-2024	6.11:8.1.0	Doc ID: RM1000000029D4F
Model Year Start: 2023	Model: Prius	Prod Date Range: [12/2022 -]
Title: MAINTENANCE: 2ZR-FXE AIR CLEANER FILTER ELEMENT: REMOVAL; 2023 - 2024 MY Prius [12/2022 -]		

REMOVAL

CAUTION / NOTICE / HINT

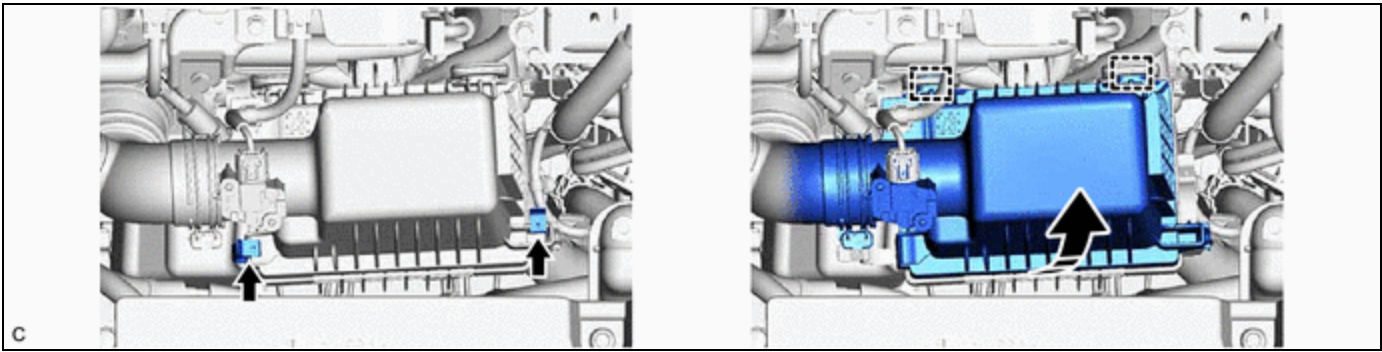
COMPONENTS (REMOVAL)



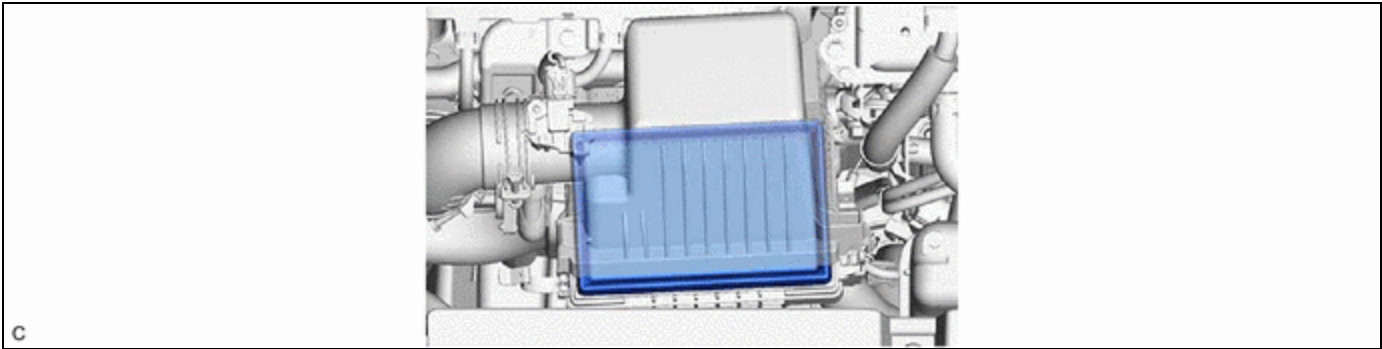
PROCEDURE		PART NAME CODE	!	📄	⚙️
1	AIR CLEANER CAP SUB-ASSEMBLY	17705	-	-	-
2	AIR CLEANER FILTER ELEMENT SUB-ASSEMBLY	17801	-	-	-
3	INSPECT AIR CLEANER FILTER ELEMENT SUB-ASSEMBLY	17801	INFO	-	-

PROCEDURE

1. SEPARATE AIR CLEANER CAP SUB-ASSEMBLY

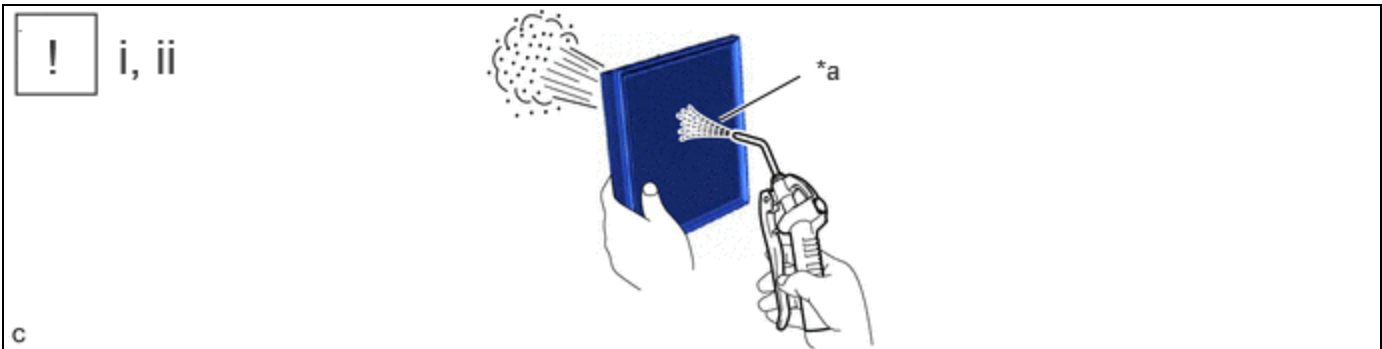


2. REMOVE AIR CLEANER FILTER ELEMENT SUB-ASSEMBLY



3. INSPECT AIR CLEANER FILTER ELEMENT SUB-ASSEMBLY

	<p>HINT: This procedure is only performed when the air cleaner filter element sub-assembly will be reused.</p>
--	---



*a	Air Cleaner Filter Element Sub-assembly Intake Downstream Side (Air Cleaner Cap Sub-assembly Side)	-	-
----	--	---	---

(1) If the air cleaner filter element sub-assembly is dirty or has foreign matter adhered to it, clean the air cleaner filter element sub-assembly with compressed air.

NOTICE:

When cleaning the air cleaner filter element sub-assembly, blow the compressed air from the intake downstream side (from the air cleaner cap sub-assembly side).

(2) If the air cleaner filter element sub-assembly is still extremely dirty after cleaning it, replace the air cleaner filter element sub-assembly with a new one.

