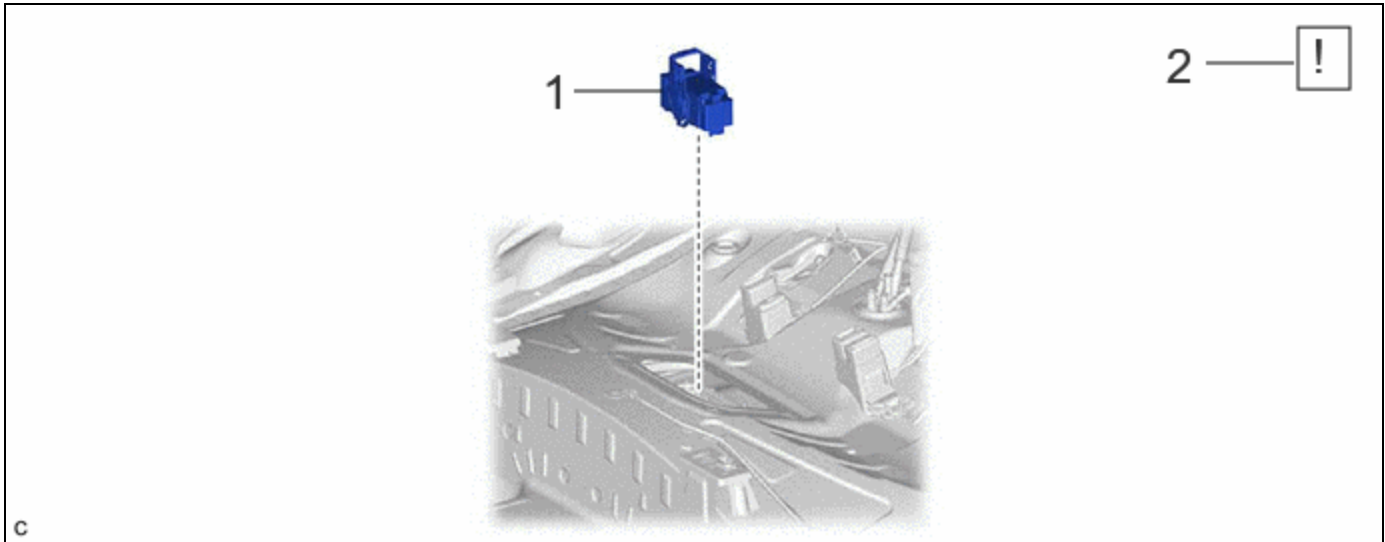


<b>Last Modified:</b> 12-04-2024	6.11:8.1.0	<b>Doc ID:</b> RM100000002B5CH
<b>Model Year Start:</b> 2023	<b>Model:</b> Prius Prime	<b>Prod Date Range:</b> [03/2023 - ]
<b>Title:</b> M20A-FXS (BATTERY / CHARGING): SOLAR CONTROL UNIT: REMOVAL; 2023 - 2024 MY Prius Prius Prime [03/2023 - ]		

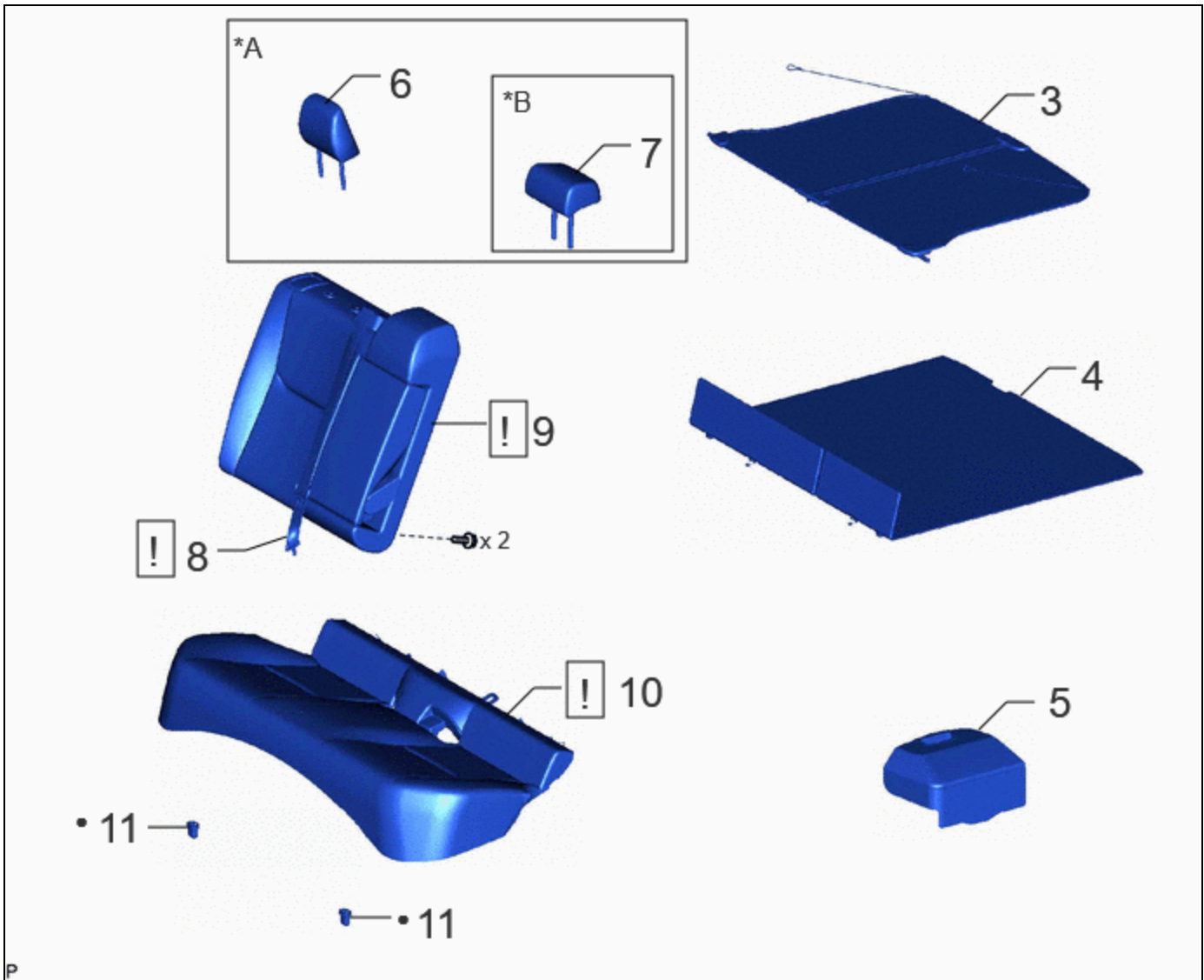
## REMOVAL

### CAUTION / NOTICE / HINT

#### COMPONENTS (REMOVAL)



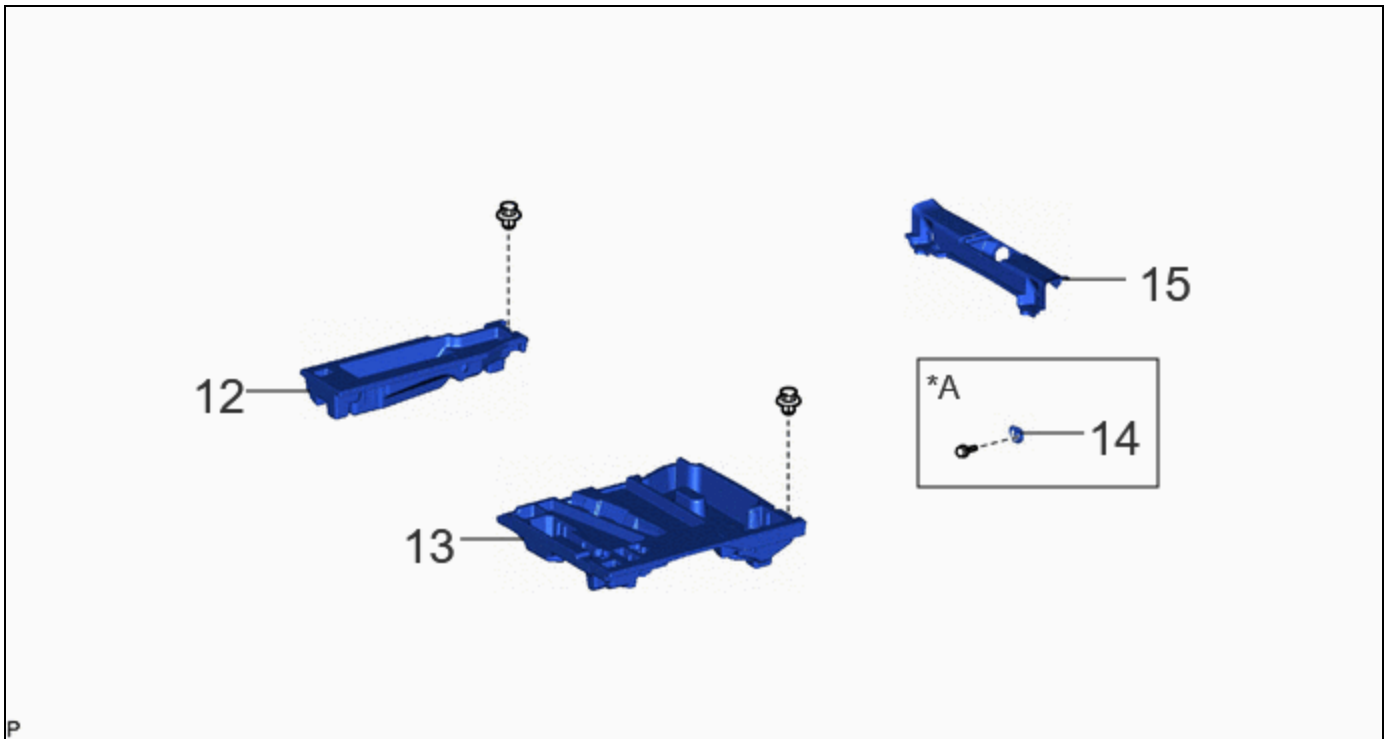
	PROCEDURE	PART NAME CODE			
1	SERVICE PLUG GRIP	G3834	-	-	-
2	CHECK TERMINAL VOLTAGE	-	<a href="#">INFO</a>	-	-



PROCEDURE		PART NAME CODE			
3	TONNEAU COVER ASSEMBLY	64910J	-	-	-
4	DECK BOARD ASSEMBLY	58410B	-	-	-
5	BATTERY SERVICE HOLE COVER ASSEMBLY	58440	-	-	-
6	REAR SEAT HEADREST ASSEMBLY	71940A	-	-	-
7	REAR SEAT CENTER HEADREST ASSEMBLY	71960B	-	-	-
8	REAR CENTER SEAT OUTER BELT ASSEMBLY	73350C	INFO	-	-
9	REAR SEATBACK ASSEMBLY RH	-	INFO	-	-
10	REAR SEAT CUSHION ASSEMBLY	-	INFO	-	-
11	REAR SEAT CUSHION LOCK HOOK	72693	-	-	-

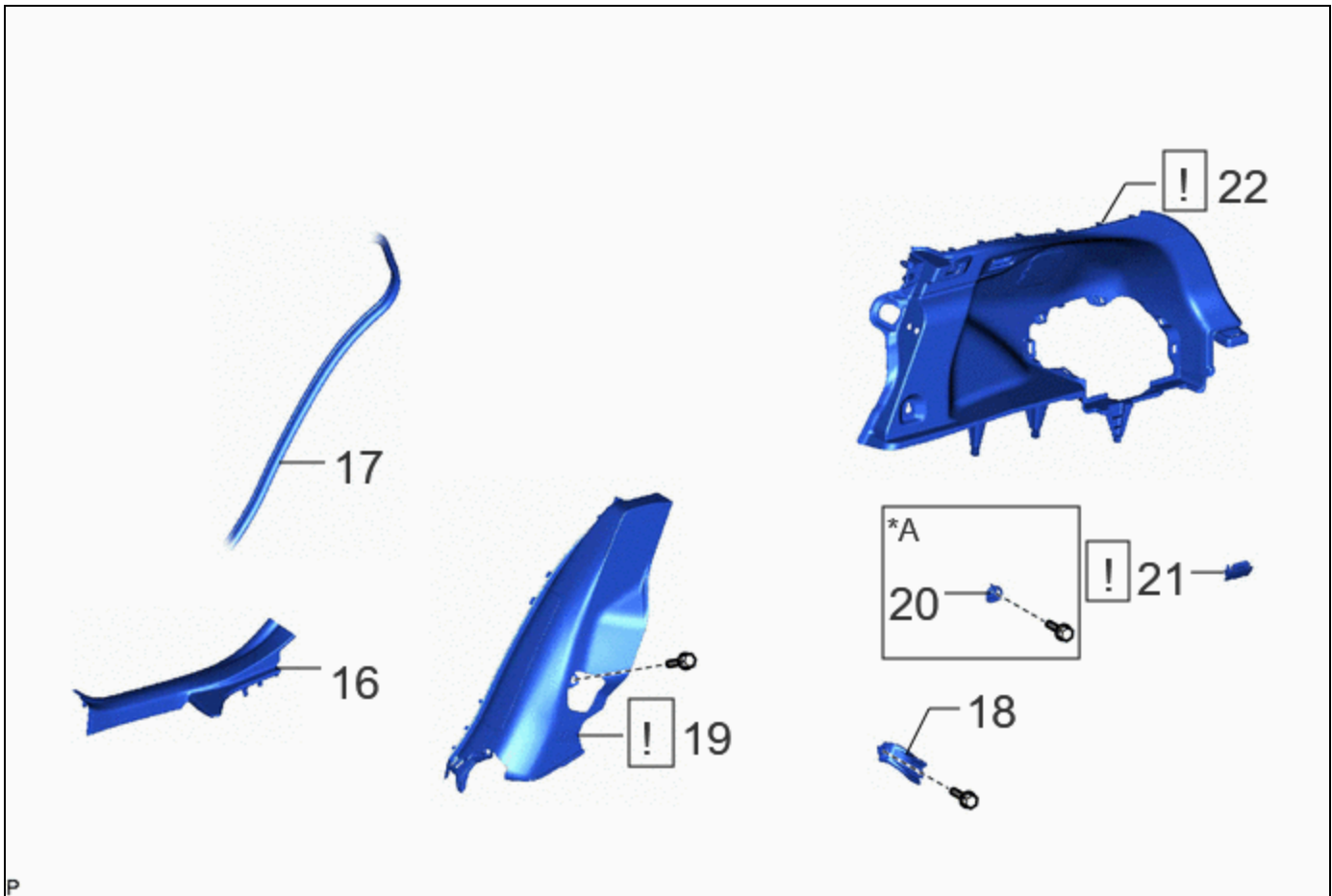
*A	for RH Side	*B	w/ Center Headrest
----	-------------	----	--------------------

•	Non-reusable part	-	-
---	-------------------	---	---



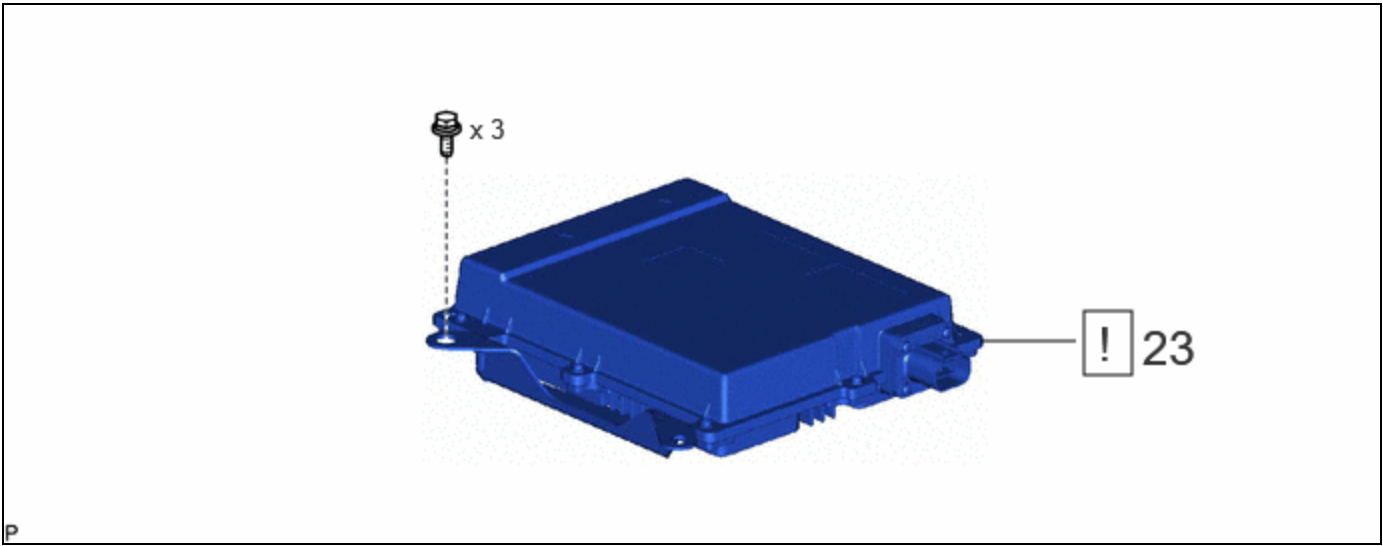
PROCEDURE		PART NAME CODE			
12	DECK FLOOR BOX RH	64995	-	-	-
13	DECK FLOOR BOX LH	64997	-	-	-
14	LUGGAGE HOLD BELT STRIKER ASSEMBLY	58460D	-	-	-
15	REAR DECK TRIM COVER	64716D	-	-	-

*A	for Rear Side	-	-
----	---------------	---	---



PROCEDURE		PART NAME CODE			
16	REAR DOOR SCUFF PLATE INSIDE RH	67917F	-	-	-
17	REAR DOOR OPENING TRIM WEATHERSTRIP RH	62331A	-	-	-
18	REAR SEAT BACK HINGE SUB-ASSEMBLY RH	71303C	-	-	-
19	REAR SEAT SIDE GARNISH RH	62551F	INFO	-	-
20	LUGGAGE HOLD BELT STRIKER ASSEMBLY	58460D	-	-	-
21	NO. 1 LUGGAGE COMPARTMENT LIGHT ASSEMBLY	81330	INFO	-	-
22	DECK TRIM SIDE PANEL ASSEMBLY RH	64730B	INFO	-	-

*A	for RH Side	-	-
----	-------------	---	---



PROCEDURE		PART NAME CODE			
23	SOLAR ENERGY CONTROL ECU ASSEMBLY	894B0	<a href="#">INFO</a>	-	-

## PROCEDURE

### 1. REMOVE SERVICE PLUG GRIP

Click here [INFO](#)

### 2. CHECK TERMINAL VOLTAGE

	Click here <a href="#">INFO</a>
--	---------------------------------

### 3. REMOVE TONNEAU COVER ASSEMBLY

Click here [INFO](#)

### 4. REMOVE DECK BOARD ASSEMBLY

Click here [INFO](#)

### 5. REMOVE BATTERY SERVICE HOLE COVER ASSEMBLY

Click here [INFO](#)

### 6. REMOVE REAR SEAT HEADREST ASSEMBLY (for RH Side)

Click here [INFO](#)

### 7. REMOVE REAR SEAT CENTER HEADREST ASSEMBLY (for RH Side)

(a) w/ Center Headrest:

Click here [INFO](#)


## 8. DISCONNECT REAR CENTER SEAT OUTER BELT ASSEMBLY

	Click here <a href="#">INFO</a>
---	---------------------------------

## 9. REMOVE REAR SEATBACK ASSEMBLY RH

	Click here <a href="#">INFO</a>
---	---------------------------------

## 10. REMOVE REAR SEAT CUSHION ASSEMBLY

	Click here <a href="#">INFO</a>
---	---------------------------------

## 11. REMOVE REAR SEAT CUSHION LOCK HOOK

Click here [INFO](#)

## 12. REMOVE DECK FLOOR BOX RH

Click here [INFO](#)

## 13. REMOVE DECK FLOOR BOX LH

Click here [INFO](#)

## 14. REMOVE LUGGAGE HOLD BELT STRIKER ASSEMBLY (for Rear Side)

Click here [INFO](#)

## 15. REMOVE REAR DECK TRIM COVER

Click here [INFO](#)

## 16. REMOVE REAR DOOR SCUFF PLATE INSIDE RH

(a) Use the same procedure as for the LH side.

Click here [INFO](#)

## 17. DISCONNECT REAR DOOR OPENING TRIM WEATHERSTRIP RH

(a) Use the same procedure as for the LH side.


Click here [INFO](#)

## 18. REMOVE REAR SEAT BACK HINGE SUB-ASSEMBLY RH

(a) Use the same procedure as for the LH side.

Click here [INFO](#)

## 19. REMOVE REAR SEAT SIDE GARNISH RH

	<p><b>HINT:</b> Use the same procedure as for the LH side.</p> <p>Click here <a href="#">INFO</a></p>
---	---


**20. REMOVE LUGGAGE HOLD BELT STRIKER ASSEMBLY (for RH Side)**

Click here [INFO](#)

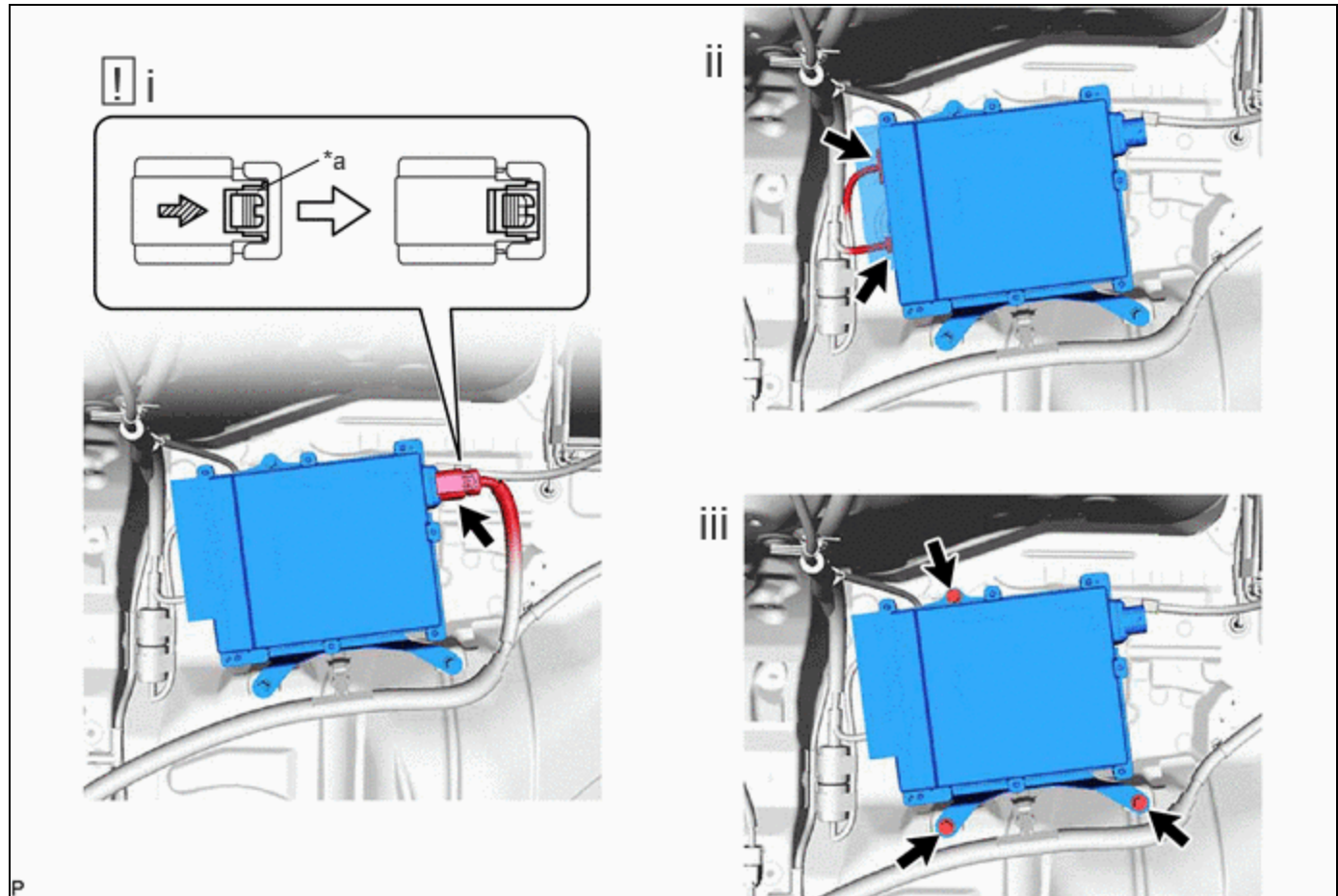
**21. REMOVE NO. 1 LUGGAGE COMPARTMENT LIGHT ASSEMBLY**

	<p>Click here <a href="#">INFO</a></p>
---	--

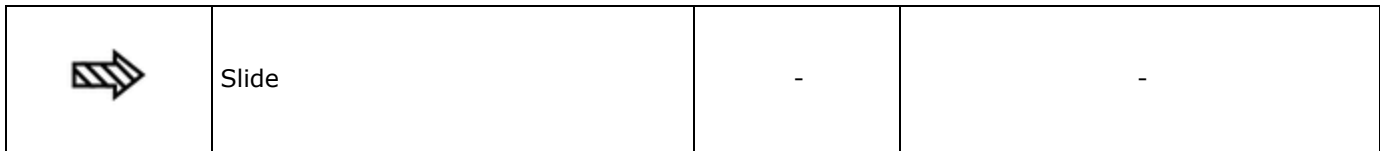
**22. REMOVE DECK TRIM SIDE PANEL ASSEMBLY RH**

	<p><b>HINT:</b> Use the same procedure as for the LH side.</p> <p>Click here <a href="#">INFO</a></p>
---	---

**23. REMOVE SOLAR ENERGY CONTROL ECU ASSEMBLY**



*a	Green-colored Lock	-	-
----	--------------------	---	---



- (1) Slide the green-colored lock of the connector as shown in the illustration to release it and disconnect the connector.

**CAUTION:**

Make sure to wear insulated gloves.

**NOTICE:**

Insulate the disconnected terminals and connector with insulating tape.

- (2) Disconnect the 2 connectors.
- (3) Remove the 3 bolts and solar energy control ECU assembly.

