

<b>Last Modified:</b> 12-04-2024	6.11:8.1.0	<b>Doc ID:</b> RM10000002BKHW
<b>Model Year Start:</b> 2023	<b>Model:</b> Prius Prime	<b>Prod Date Range:</b> [03/2023 - ]
<b>Title:</b> M20A-FXS (BATTERY / CHARGING): BATTERY CURRENT SENSOR: REMOVAL; 2023 - 2024 MY Prius Prius Prime [03/2023 - ]		

## REMOVAL

### CAUTION / NOTICE / HINT

The necessary procedures (adjustment, calibration, initialization or registration) that must be performed after parts are removed and installed, or replaced during battery state sensor assembly removal/installation are shown below.

#### **HINT:**

When the cable is disconnected / reconnected to the auxiliary battery terminal, systems temporarily stop operating. However, each system has a function that completes learning the first time the system is used.

#### **Learning completes when vehicle is driven**

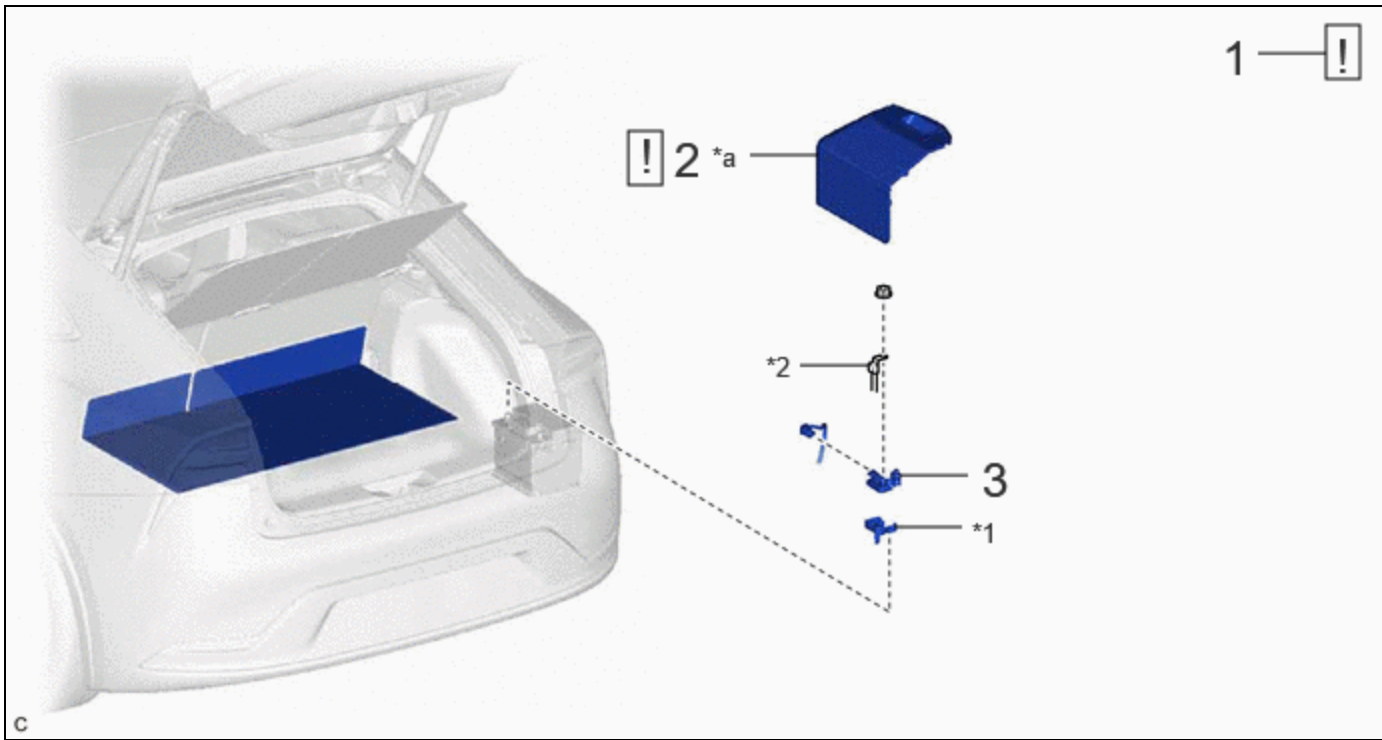
EFFECT/INOPERATIVE FUNCTION WHEN NECESSARY PROCEDURE NOT PERFORMED	NECESSARY PROCEDURE	LINK
Front Camera System	Drive the vehicle straight ahead at 35 km/h (22 mph) or more for 5 seconds or more.	<a href="#">INFO</a>

#### **Learning completes when vehicle is operated normally**

EFFECT/INOPERATIVE FUNCTION WHEN NECESSARY PROCEDURE NOT PERFORMED	NECESSARY PROCEDURE	LINK
Power Door Lock Control System*1 <ul style="list-style-type: none"> <li>• <a href="#">Back door opener</a></li> </ul>	Perform door unlock operation with door control switch or electrical key transmitter sub-assembly switch.	<a href="#">INFO</a>
Power Back Door System*2	Reset back door close position	<a href="#">INFO</a>
Air Conditioning System	<p><b>for HEV Model:</b></p> <p>After the ignition switch is turned to ON, the servo motor standard position is recognized.</p> <p><b>for PHEV Model:</b></p> <p>After the ignition switch is turned to ON, the servo motor and expansion valve standard position is recognized.</p>	-
*1: w/o Power Back Door System		
*2: w/ Power Back Door System		

### CAUTION / NOTICE / HINT

#### **COMPONENTS (REMOVAL)**



PROCEDURE		PART NAME CODE			
1	PRECAUTION	-	<a href="#">INFO</a>	-	-
2	BATTERY SERVICE HOLE COVER ASSEMBLY	58440	<a href="#">INFO</a>	-	-
3	BATTERY STATE SENSOR ASSEMBLY	28850C	-	-	-

*1	BATTERY CURRENT SENSOR HOLDER	*2	NO. 5 FLOOR WIRE
*a	<p><b>HINT:</b> As the illustration shown is an example, the actual details may differ.</p>	-	-

## PROCEDURE

### 1. PRECAUTION

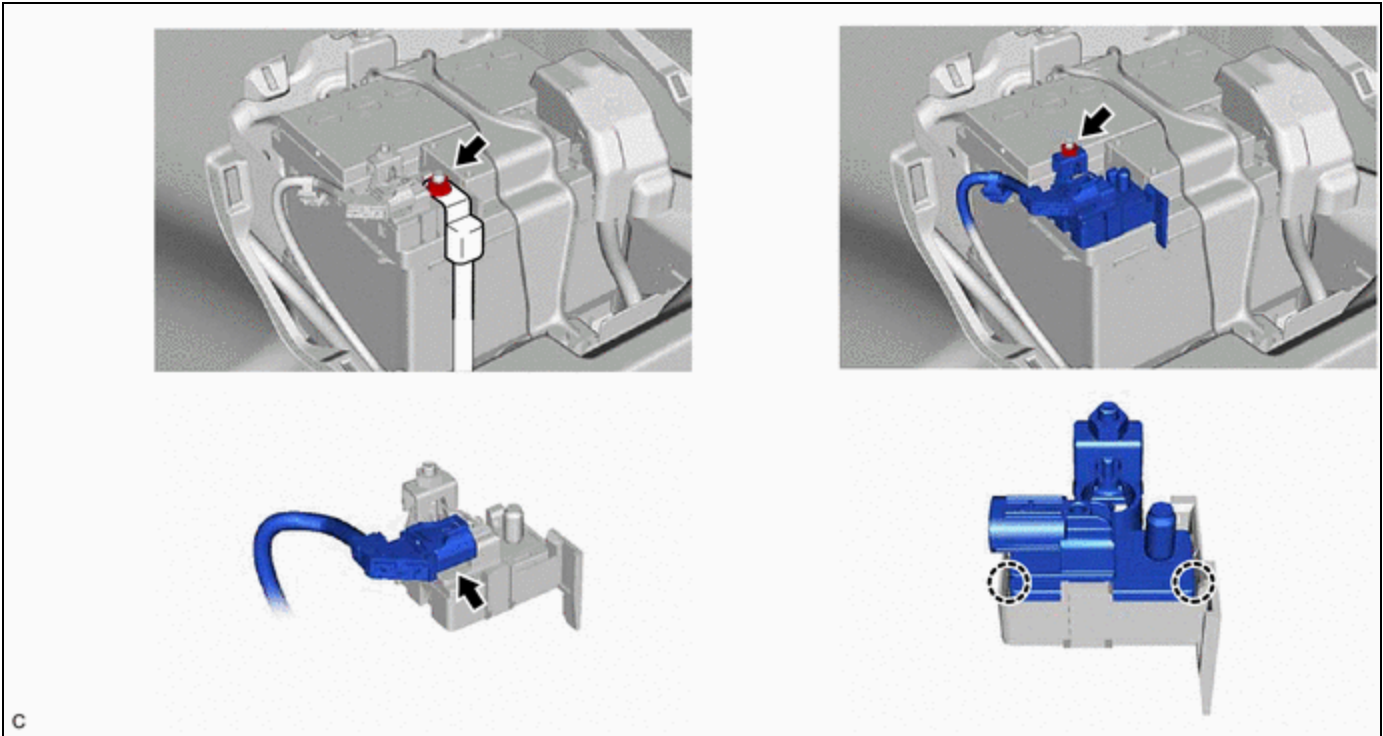
	<p><b>NOTICE:</b> After the ignition switch is turned off, there may be a waiting time before disconnecting the negative (-) auxiliary battery terminal.</p> <p>Click here <a href="#">INFO</a></p>
--	---

### 2. REMOVE BATTERY SERVICE HOLE COVER ASSEMBLY



Click here [INFO](#)

### 3. REMOVE BATTERY STATE SENSOR ASSEMBLY



C

