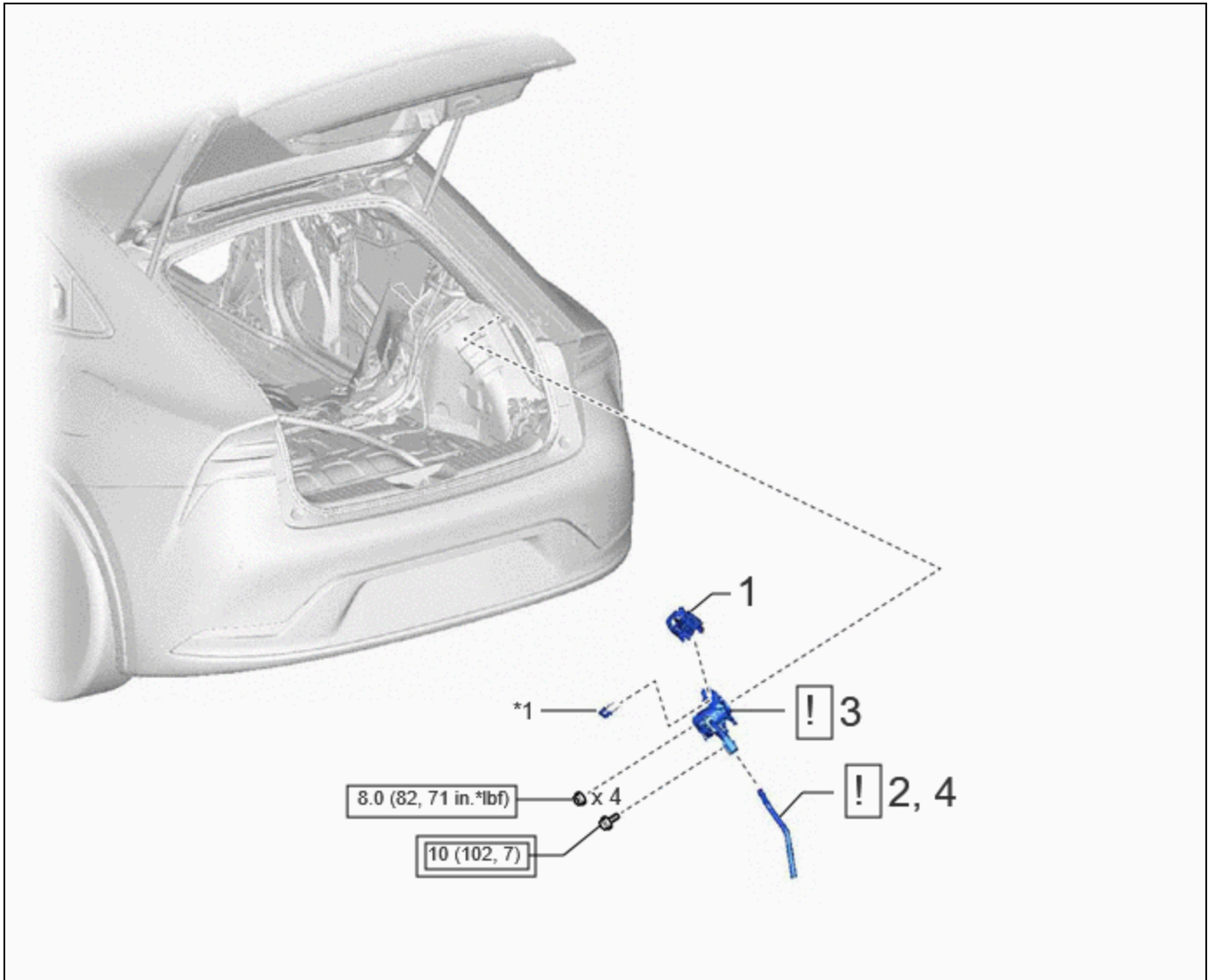


<b>Last Modified:</b> 12-04-2024	6.11:8.1.0	<b>Doc ID:</b> RM100000002B7AW
<b>Model Year Start:</b> 2023	<b>Model:</b> Prius Prime	<b>Prod Date Range:</b> [03/2023 - ]
<b>Title:</b> HYBRID / BATTERY CONTROL: CHARGE INLET (for PHEV Model): INSTALLATION; 2023 - 2024 MY Prius Prime [03/2023 - ]		





## INSTALLATION



### CAUTION / NOTICE / HINT

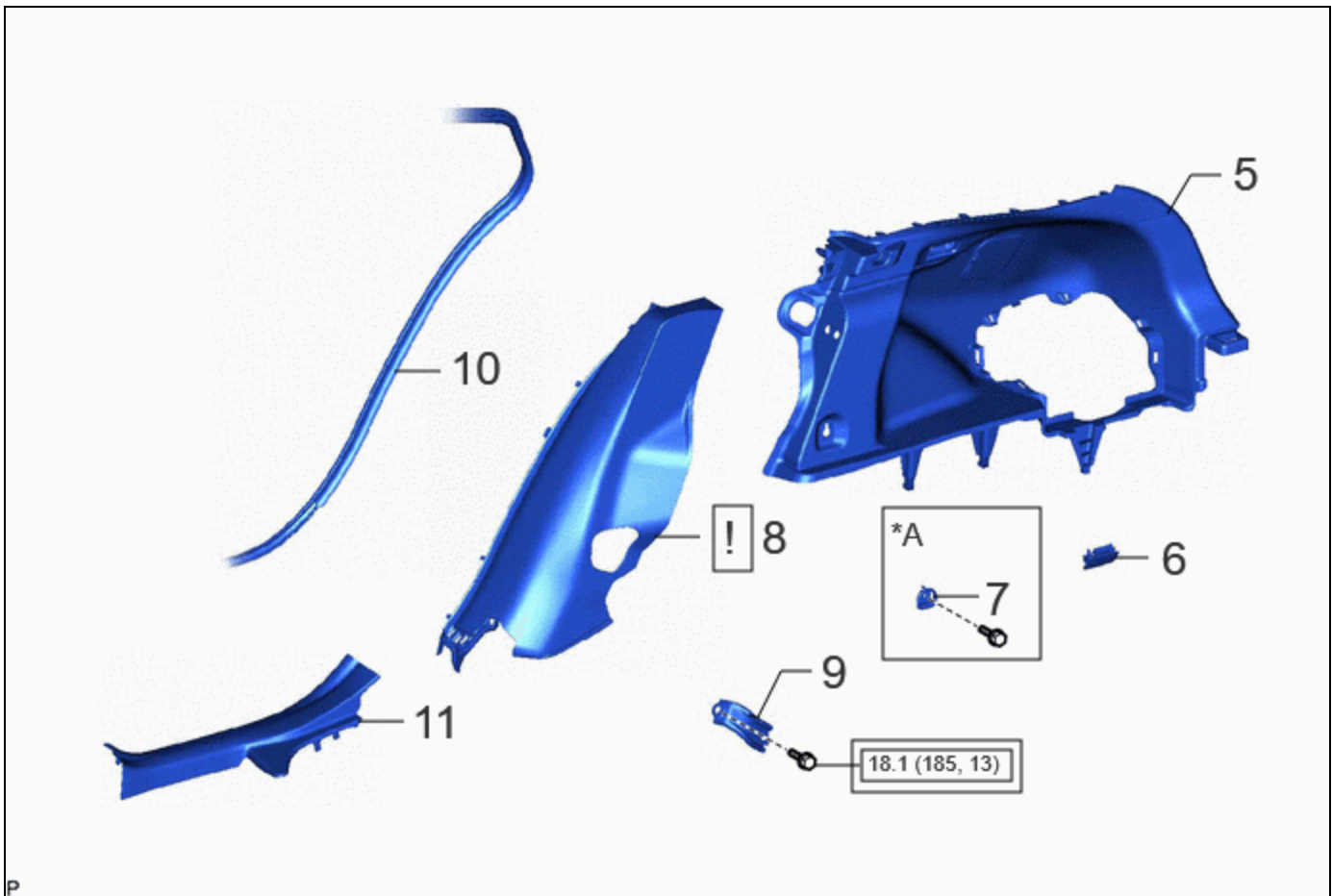
#### COMPONENTS (INSTALLATION)










	PROCEDURE	PART NAME CODE	!	📄	⚙️
1	CABLE EV CHARGER LOCK ASSEMBLY	G90F0A	-	-	-
2	INSTALL NO. 1 EV CHARGE CONNECTOR DRAIN HOSE	G93B1	INFO	-	-


PROCEDURE		PART NAME CODE			
3	INLET AC CHARGER CABLE	G9081C		-	-
4	CONNECT NO. 1 EV CHARGE CONNECTOR DRAIN HOSE	G93B1	-	-	-

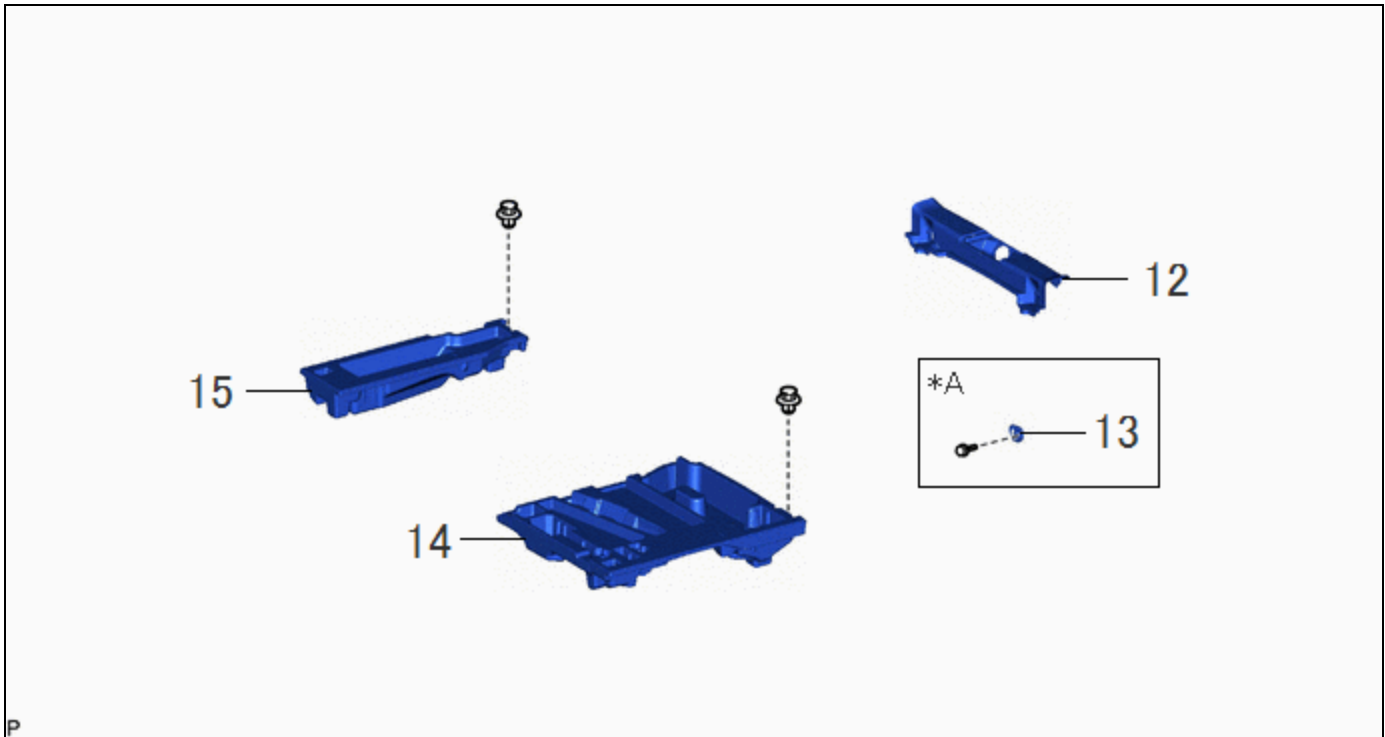
*1	CONNECTOR PIN	-	-
	Tightening torque for "Major areas involving basic vehicle performance such as moving/turning/stopping": N*m (kgf*cm, ft.*lbf)		N*m (kgf*cm, ft.*lbf): Specified torque






PROCEDURE		PART NAME CODE			
5	DECK TRIM SIDE PANEL ASSEMBLY RH	64730B	-	-	-
6	NO. 1 LUGGAGE COMPARTMENT LIGHT ASSEMBLY	81330	-	-	-
7	LUGGAGE HOLD BELT STRIKER ASSEMBLY	58460D	-	-	-
8	REAR SEAT SIDE GARNISH RH	62551F		-	-
9	REAR SEAT BACK HINGE SUB-ASSEMBLY RH	71303C	-	-	-

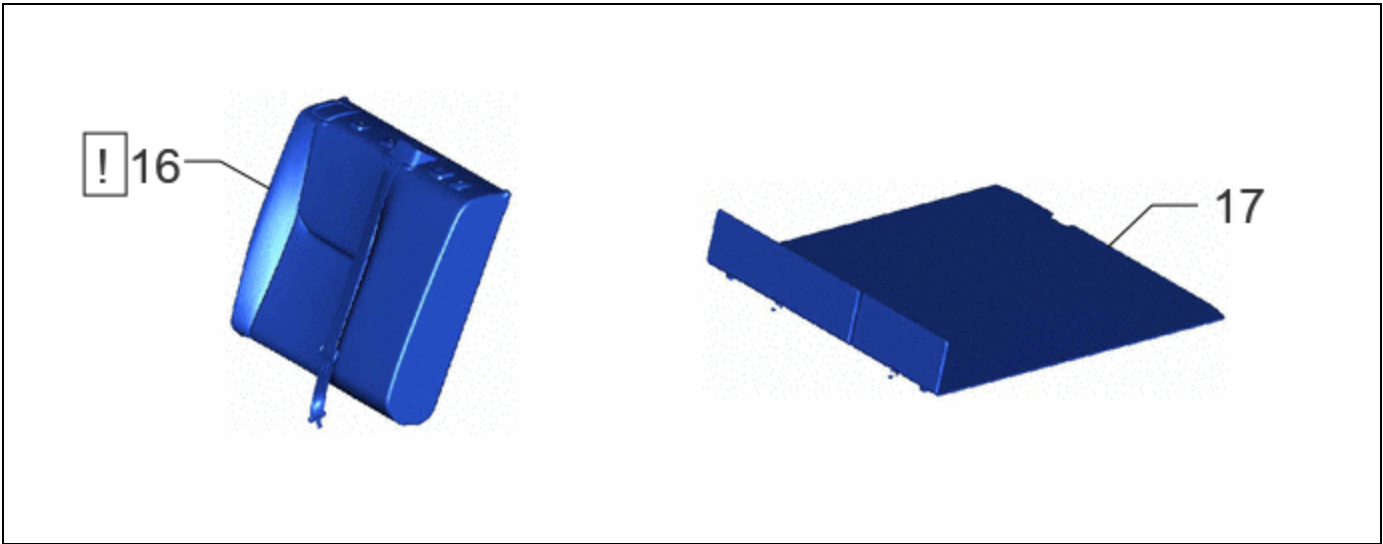
PROCEDURE		PART NAME CODE			
10	REAR DOOR OPENING TRIM WEATHERSTRIP RH	62331A	-	-	-
11	REAR DOOR SCUFF PLATE INSIDE RH	67917F	-	-	-

*A	for RH Side	-	-
	Tightening torque for "Major areas involving basic vehicle performance such as moving/turning/stopping": N*m (kgf*cm, ft.*lbf)	-	-

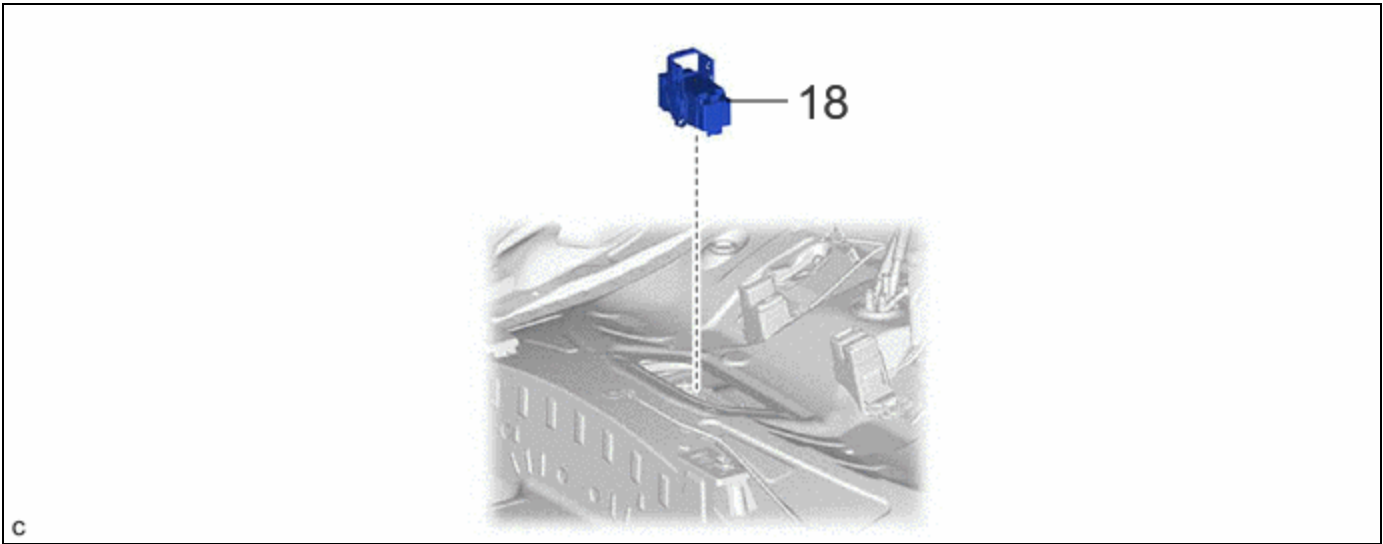


PROCEDURE		PART NAME CODE			
12	REAR DECK TRIM COVER	64716D	-	-	-
13	LUGGAGE HOLD BELT STRIKER ASSEMBLY	58460D	-	-	-
14	DECK FLOOR BOX LH	64997	-	-	-
15	DECK FLOOR BOX RH	64995	-	-	-

*A	for Rear Side	-	-
----	---------------	---	---



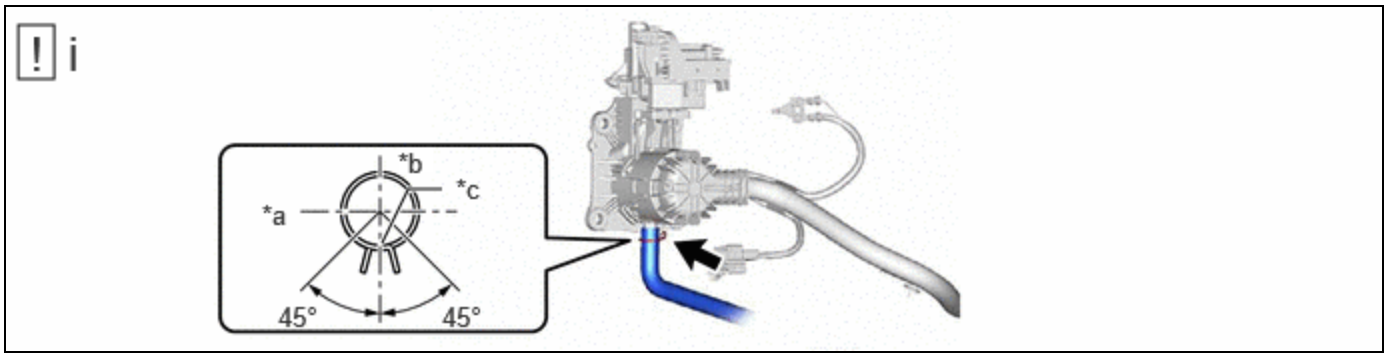
PROCEDURE		PART NAME CODE			
16	REAR SEATBACK ASSEMBLY RH	-	INFO	-	-
17	DECK BOARD ASSEMBLY	58410B	-	-	-



PROCEDURE		PART NAME CODE			
18	SERVICE PLUG GRIP	G3834	-	-	-

## **PROCEDURE**

- 1. INSTALL CABLE EV CHARGER LOCK ASSEMBLY**
- 2. INSTALL NO. 1 EV CHARGE CONNECTOR DRAIN HOSE**



*a	Front of Vehicle	*b	RH Side
*c	Alignment Mark	-	-

(1) Install the No. 1 EV charge connector drain hose to the inlet AC charger cable and slide the clip to secure it.

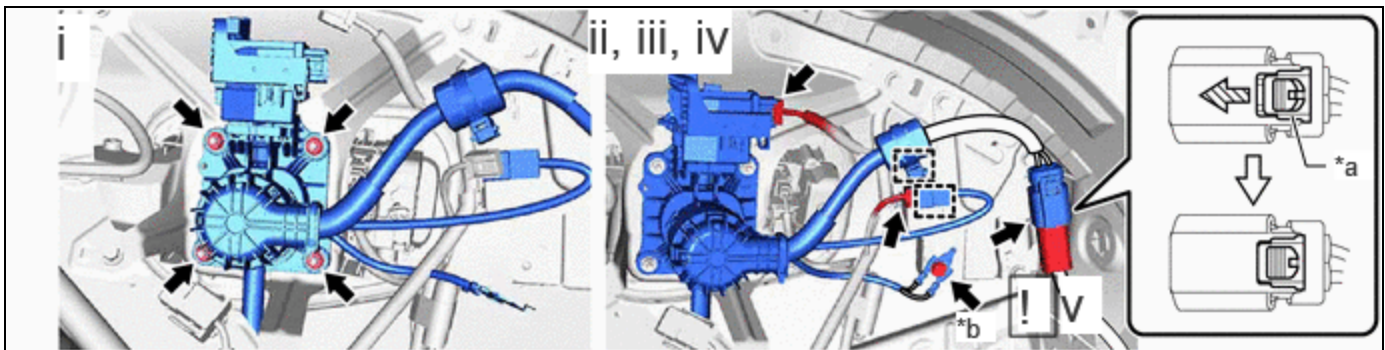
**NOTICE:**

Make sure that the clip is positioned as shown in the illustration.

**3. INSTALL INLET AC CHARGER CABLE**

!

**CAUTION:**  
Be sure to wear insulated gloves.



*a	Green-colored Lock	*b	Earth Terminal
	Slide	-	-

(1) Install the inlet AC charger cable with the 4 nuts.

**Torque:**

**8.0 N·m {82 kgf·cm, 71 in·lbf}**

(2) Connect the earth terminal with the bolt.

**Torque:**

**10 N·m {102 kgf·cm, 7 ft·lbf}**

(3) Connect the 2 inlet AC charger cable connectors.

(4) Engage the 2 clamps.

(5) Connect the inlet AC charger cable connector and slide the green-colored lock as shown in the illustration to lock it securely.

**4. CONNECT NO. 1 EV CHARGE CONNECTOR DRAIN HOSE****5. INSTALL DECK TRIM SIDE PANEL ASSEMBLY RH****6. INSTALL NO. 1 LUGGAGE COMPARTMENT LIGHT ASSEMBLY****7. INSTALL LUGGAGE HOLD BELT STRIKER ASSEMBLY (for RH Side)****8. INSTALL REAR SEAT SIDE GARNISH RH**

Use the same procedure as for the LH side.

Click here [INFO](#)

**9. INSTALL REAR SEAT BACK HINGE SUB-ASSEMBLY RH**

(a) Use the same procedure as for the LH side.

Click here [INFO](#)

**10. CONNECT REAR DOOR OPENING TRIM WEATHERSTRIP RH****11. INSTALL REAR DOOR SCUFF PLATE INSIDE RH****12. INSTALL REAR DECK TRIM COVER****13. INSTALL LUGGAGE HOLD BELT STRIKER ASSEMBLY (for Rear Side)****14. INSTALL DECK FLOOR BOX LH****15. INSTALL DECK FLOOR BOX RH****16. INSTALL REAR SEATBACK ASSEMBLY RH**

Click here [INFO](#)

**17. INSTALL DECK BOARD ASSEMBLY****18. INSTALL SERVICE PLUG GRIP**

Click here [INFO](#)

