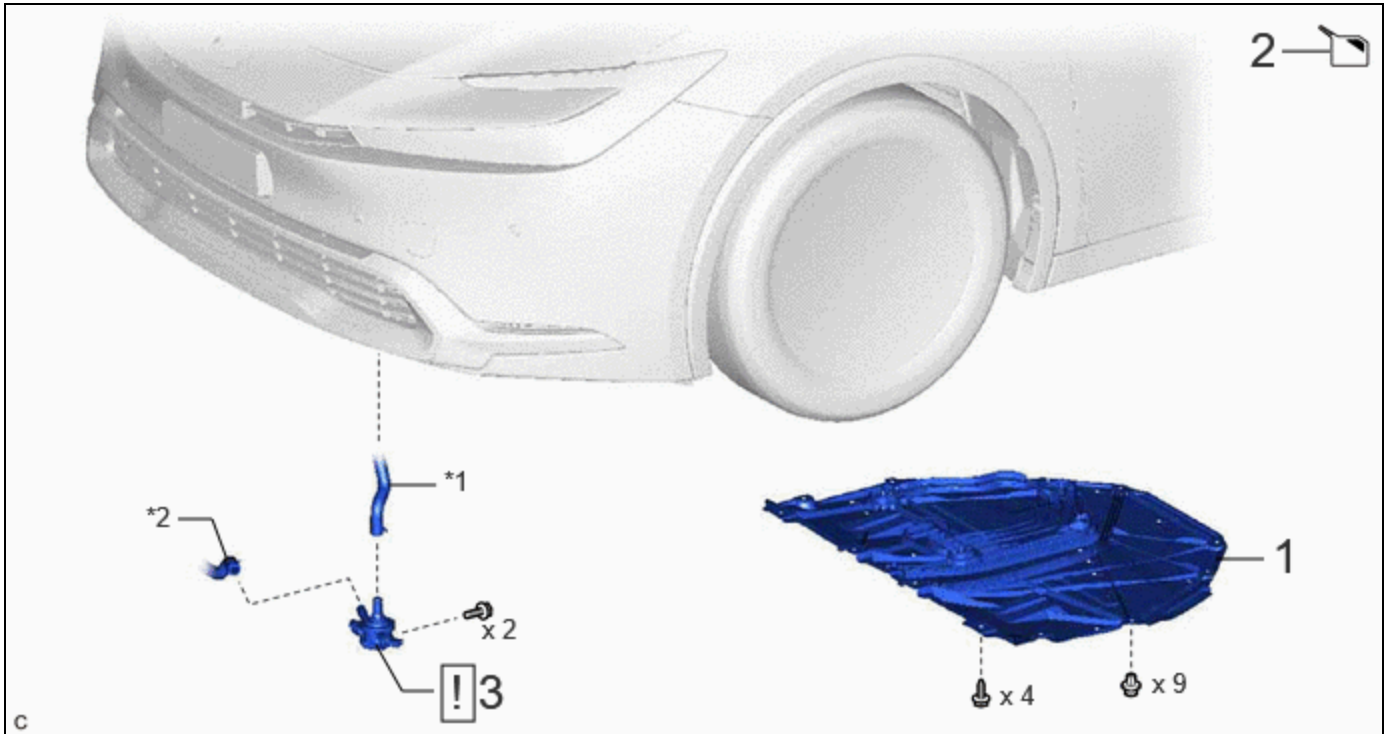


<b>Last Modified:</b> 12-04-2024	6.11:8.1.0	<b>Doc ID:</b> RM1000000029QWY
<b>Model Year Start:</b> 2023	<b>Model:</b> Prius Prime	<b>Prod Date Range:</b> [12/2022 - ]
<b>Title:</b> HYBRID / BATTERY CONTROL: WATER PUMP WITH MOTOR: REMOVAL; 2023 - 2024 MY Prius Prius Prime [12/2022 - ]		

## REMOVAL

### CAUTION / NOTICE / HINT

#### COMPONENTS(REMOVAL)



PROCEDURE		PART NAME CODE	!	📄	⚙️
1	NO. 1 ENGINE UNDER COVER ASSEMBLY	51410	-	-	-
2	COOLANT (for Inverter)	-	-	INFO	-
3	INVERTER WATER PUMP WITH MOTOR ASSEMBLY	G9040	INFO	-	-

*1	Hybrid Water Pump Inlet Hose	*2	Hybrid Radiator Inlet Hose
----	------------------------------	----	----------------------------

## PROCEDURE

### 1. REMOVE NO. 1 ENGINE UNDER COVER ASSEMBLY

- for M20A-FXS:

Click here [INFO](#)

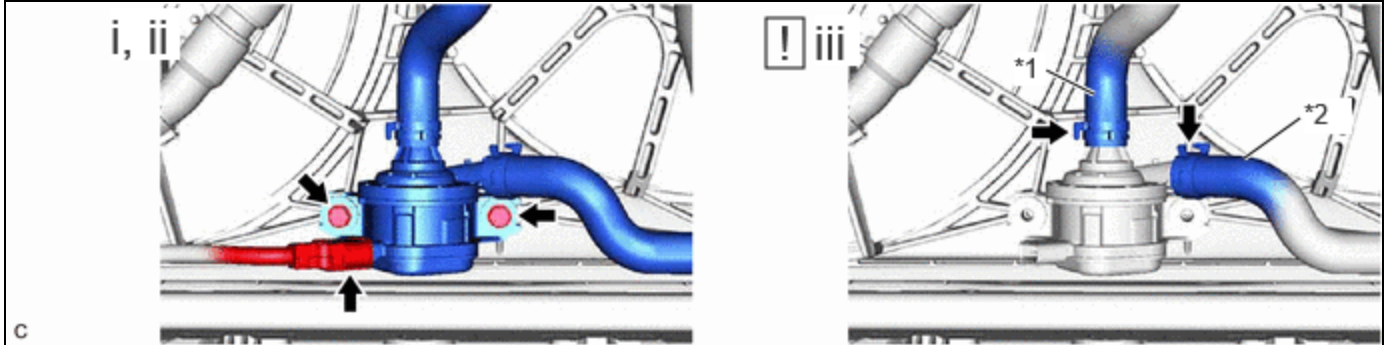
- for 2ZR-FXE:

Click here [INFO](#)

## 2. DRAIN COOLANT (for Inverter)

Click here [INFO](#)

## 3. REMOVE INVERTER WATER PUMP WITH MOTOR ASSEMBLY



*1	Hybrid Water Pump Inlet Hose	*2	Hybrid Radiator Inlet Hose
----	------------------------------	----	----------------------------

(1) Disconnect the inverter water pump with motor assembly connector.

**To prevent coolant from entering the inverter water pump with motor assembly connector, perform the following procedure.**

### NOTICE:

Apply insulating tape to the connectors of the wire harness and inverter water pump with motor assembly.

(2) Remove the 2 bolts.

(3) Slide the 2 clips and disconnect the hybrid water pump inlet hose and hybrid radiator inlet hose to remove the inverter water pump with motor assembly.

### NOTICE:

- Put pieces of cloth into the pipes and disconnected hoses or cover the pipes and hoses with plastic bags to prevent foreign matter from entering the inverter water pump with motor assembly and inverter cooling system.
- Do not apply excessive force to the hoses.
- If the inverter water pump with motor assembly has been struck or dropped, replace it.

