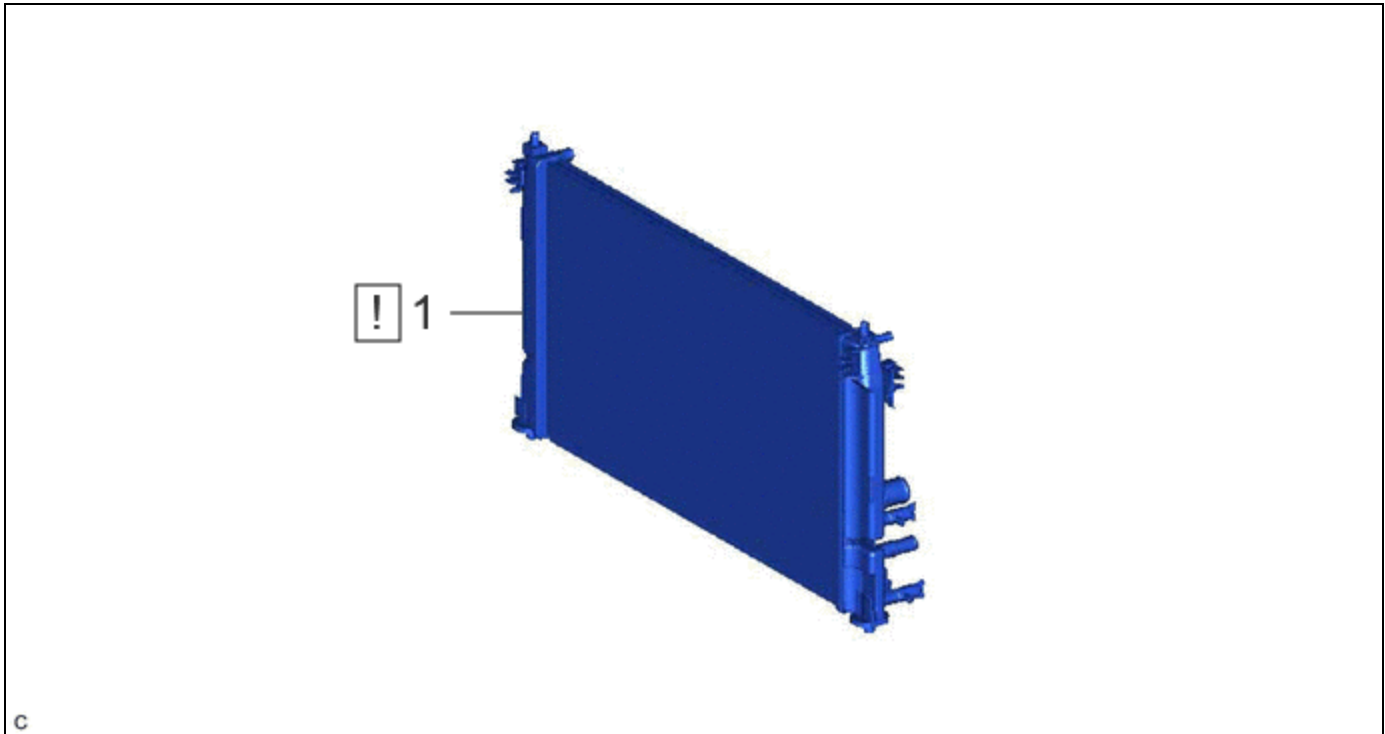


<b>Last Modified:</b> 12-04-2024	6.11:8.1.0	<b>Doc ID:</b> RM100000002C2BA
<b>Model Year Start:</b> 2023	<b>Model:</b> Prius Prime	<b>Prod Date Range:</b> [03/2023 - ]
<b>Title:</b> HYBRID / BATTERY CONTROL: SUB RADIATOR: REMOVAL; 2023 - 2024 MY Prius Prius Prime [03/2023 - ]		

## REMOVAL

### CAUTION / NOTICE / HINT

#### COMPONENTS(REMOVAL)



PROCEDURE		PART NAME CODE			
1	RADIATOR ASSEMBLY	16400	INFO	-	-

## PROCEDURE

### 1. REMOVE RADIATOR ASSEMBLY

	<p><b>HINT:</b></p> <p>The radiator (for inverter coolant) is part of the radiator (for Engine). If the radiator (for inverter coolant) needs to be replaced, replace the radiator assembly.</p>
--	--

(a) Remove the radiator assembly.

- for 2ZR-FXE:

Click here [INFO](#)

- for M20A-FXS HEV Model:

Click here [INFO](#)

- for M20A-FXS PHEV Model:

Click here [INFO](#)

