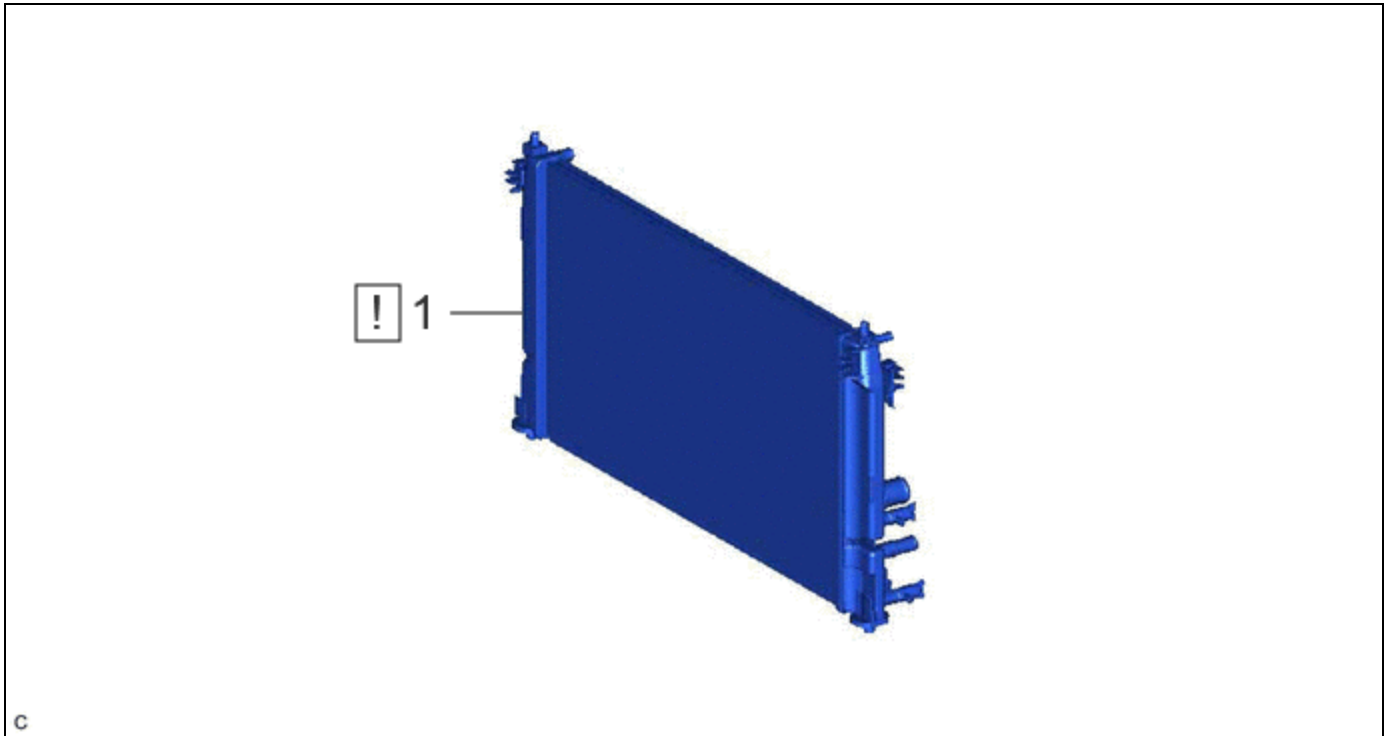


Last Modified: 12-04-2024	6.11:8.1.0	Doc ID: RM100000002C2BB
Model Year Start: 2023	Model: Prius Prime	Prod Date Range: [03/2023 -]
Title: HYBRID / BATTERY CONTROL: SUB RADIATOR: INSTALLATION; 2023 - 2024 MY Prius Prius Prime [03/2023 -]		

INSTALLATION

CAUTION / NOTICE / HINT

COMPONENTS(INSTALLATION)



PROCEDURE		PART NAME CODE			
1	RADIATOR ASSEMBLY	16400	INFO	-	-

PROCEDURE

1. INSTALL RADIATOR ASSEMBLY

	<p>HINT:</p> <p>The radiator (for inverter coolant) is part of the radiator (for Engine). If the radiator (for inverter coolant) needs to be replaced, replace the radiator assembly.</p>
--	--

(a) Install the radiator assembly.

- for 2ZR-FXE:

Click here [INFO](#)

- for M20A-FXS HEV Model:

Click here [INFO](#)

- for M20A-FXS PHEV Model:

Click here [INFO](#)

