

<b>Last Modified:</b> 12-04-2024	6.11:8.1.0	<b>Doc ID:</b> RM10000002B7BX
<b>Model Year Start:</b> 2023	<b>Model:</b> Prius Prime	<b>Prod Date Range:</b> [03/2023 - ]
<b>Title:</b> HYBRID / BATTERY CONTROL: REFRIGERANT LINE (for PHEV Model): AIRTIGHT INSPECTION; 2023 - 2024 MY Prius Prime [03/2023 - ]		

## AIRTIGHT INSPECTION

### PROCEDURE

#### 1. INSPECT INSPECT FOR REFRIGERANT LEAK

(a) Sufficiently apply compressor oil to 2 SST O-rings.

**SST: 09893-10060**

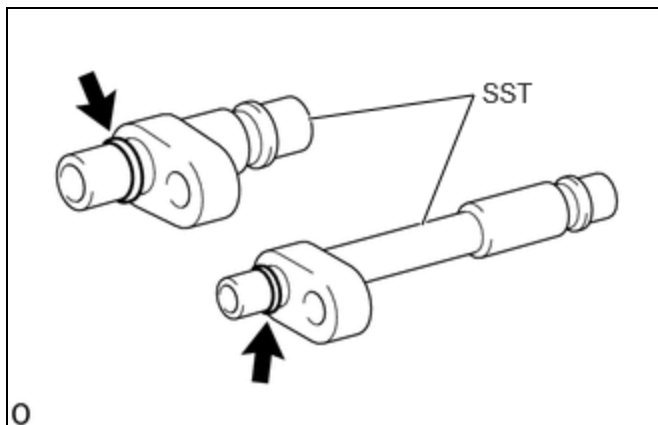
**SST: 09893-10070**

Compressor Oil:

ND-OIL 11 or equivalent

#### **NOTICE:**

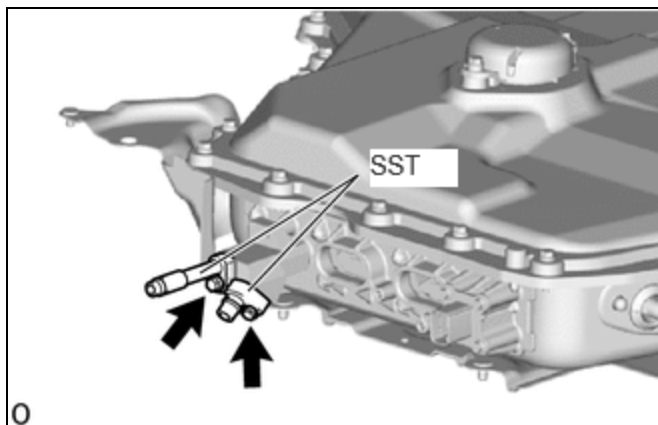
Do not use any compressor oil other than ND-OIL 11 or equivalent. If any compressor oil other than ND-OIL 11 or equivalent is used, compressor motor insulation performance may decrease, resulting in leakage of electric power.



(b) Install the SST with the 2 bolts.

**Torque:**

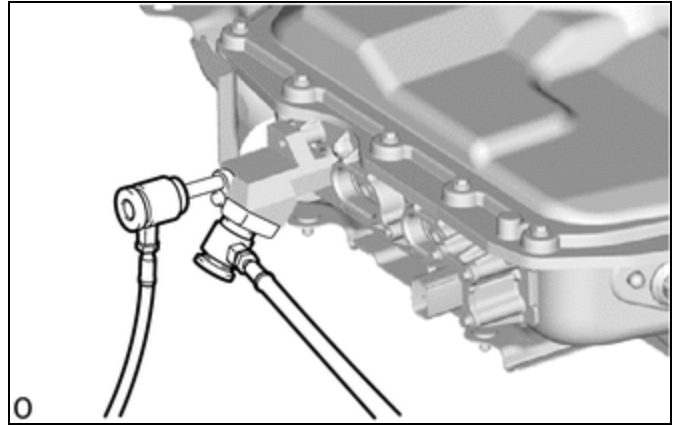
**9.8 N·m {100 kgf·cm, 7 ft·lbf}**



(c) Connect a refrigerant recovery unit to the SST.

#### **NOTICE:**

Use the refrigerant recovery unit in accordance with the manufacturer's instruction manual.



(d) Perform vacuum drawing.

OK:

Can maintain the vacuum state for more than 5 minutes.

