

Last Modified: 12-04-2024	6.11:8.1.0	Doc ID: RM10000002B7X1
Model Year Start: 2023	Model: Prius Prime	Prod Date Range: [03/2023 -]
Title: HYBRID / BATTERY CONTROL: PLUGIN CHARGE CONTROL ECU (for PHEV Model): REMOVAL; 2023 - 2024 MY Prius Prime [03/2023 -]		

REMOVAL

CAUTION / NOTICE / HINT

The necessary procedures (adjustment, calibration, initialization, or registration) that must be performed after parts are removed and installed, or replaced during plugin charge control ECU removal/installation are shown below.

HINT:

When the cable is disconnected / reconnected to the auxiliary battery terminal, systems temporarily stop operating. However, each system has a function that completes learning the first time the system is used.

Items for which learning is completed by driving the vehicle

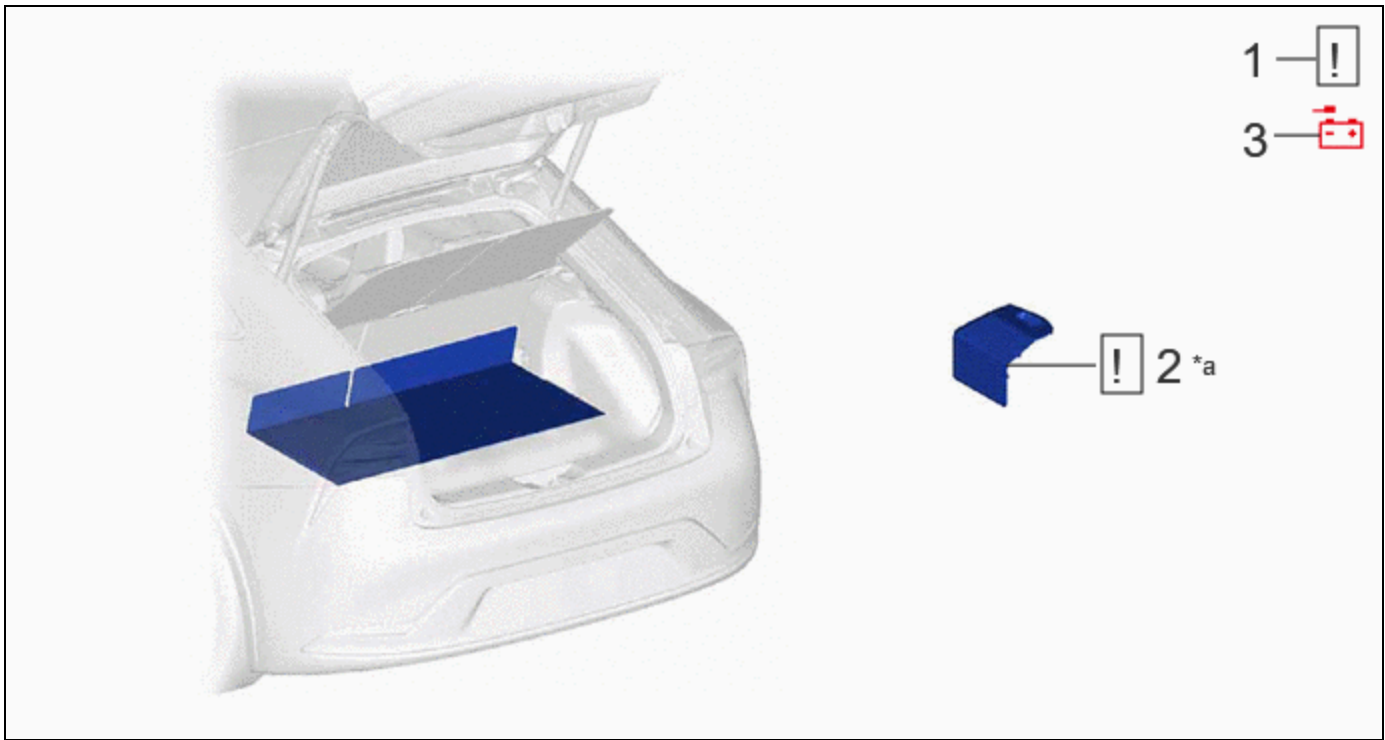
EFFECT/INOPERATIVE FUNCTION WHEN NECESSARY PROCEDURES ARE NOT PERFORMED	NECESSARY PROCEDURES	LINK
Front Camera System	Drive the vehicle straight ahead at 35 km/h (22 mph) or more for 5 seconds or more.	INFO

Items for which learning is completed by operating the vehicle normally

EFFECT/INOPERATIVE FUNCTION WHEN NECESSARY PROCEDURES ARE NOT PERFORMED	NECESSARY PROCEDURES	LINK
Power Door Lock Control System*1 <ul style="list-style-type: none"> Back door opener 	Perform door unlock operation with door control switch or electrical key transmitter sub-assembly switch.	INFO
Power Back Door System*2	Reset back door close position	INFO
Air Conditioning System	After the ignition switch is turned to ON, the servo motor and expansion valve standard position is recognized.	-
*1: w/o Power Back Door System		
*2: w/ Power Back Door System		

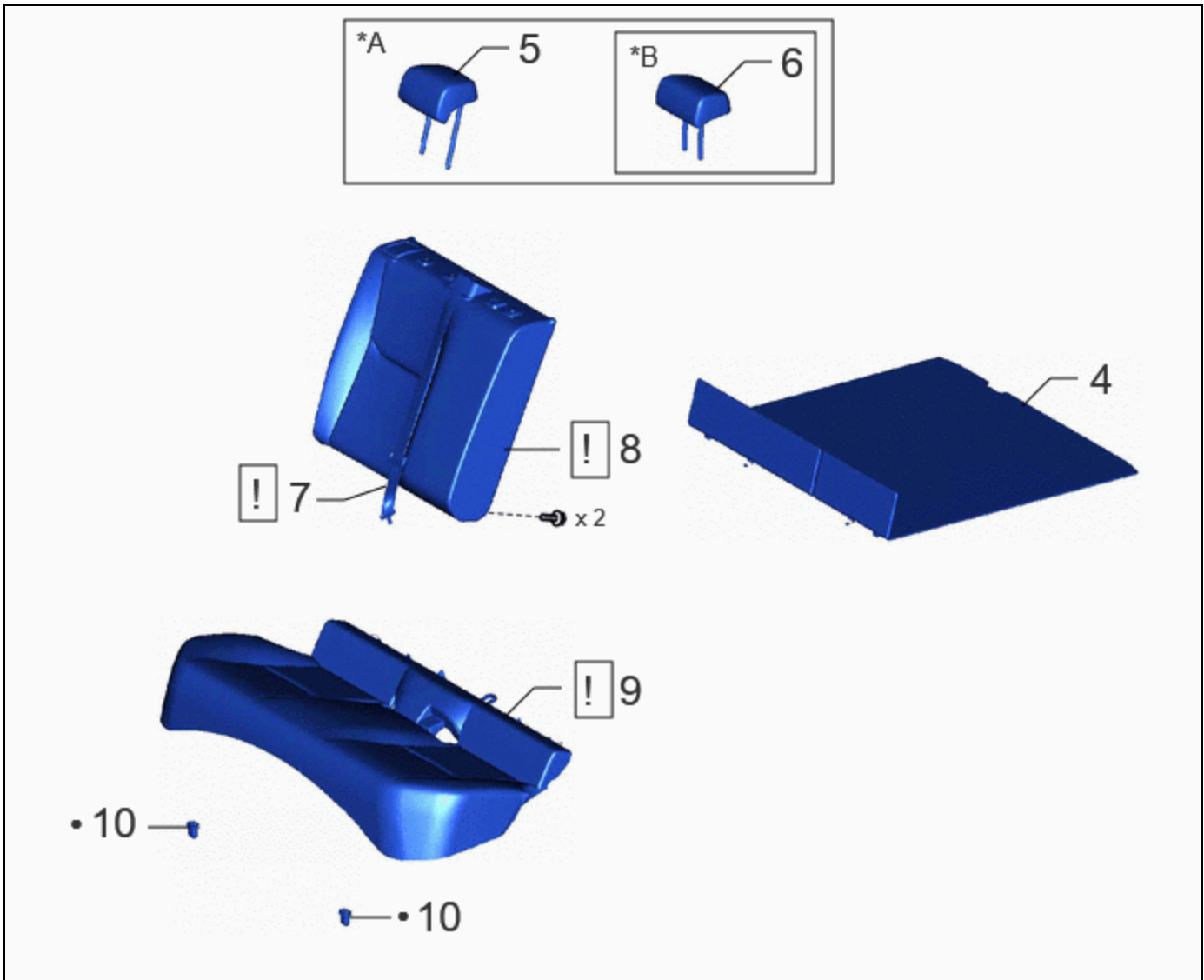
CAUTION / NOTICE / HINT

COMPONENTS (REMOVAL)



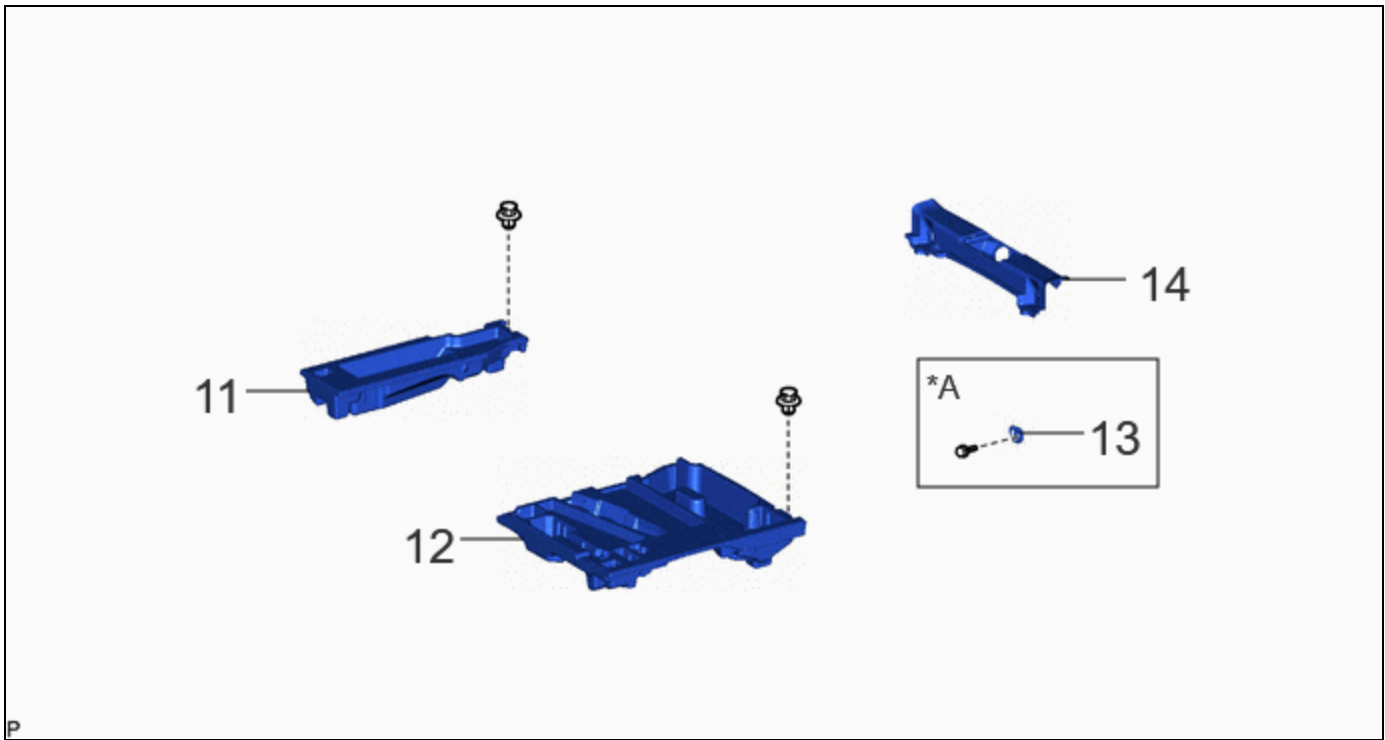
PROCEDURE		PART NAME CODE			
1	PRECAUTION	-	INFO	-	-
2	BATTERY SERVICE HOLE COVER ASSEMBLY	58440	INFO	-	-
3	DISCONNECT CABLE FROM NEGATIVE AUXILIARY BATTERY TERMINAL	-	-	-	-




*a	<p>HINT: As the illustration shown is an example, the actual details may differ.</p>	-	-
----	---	---	---



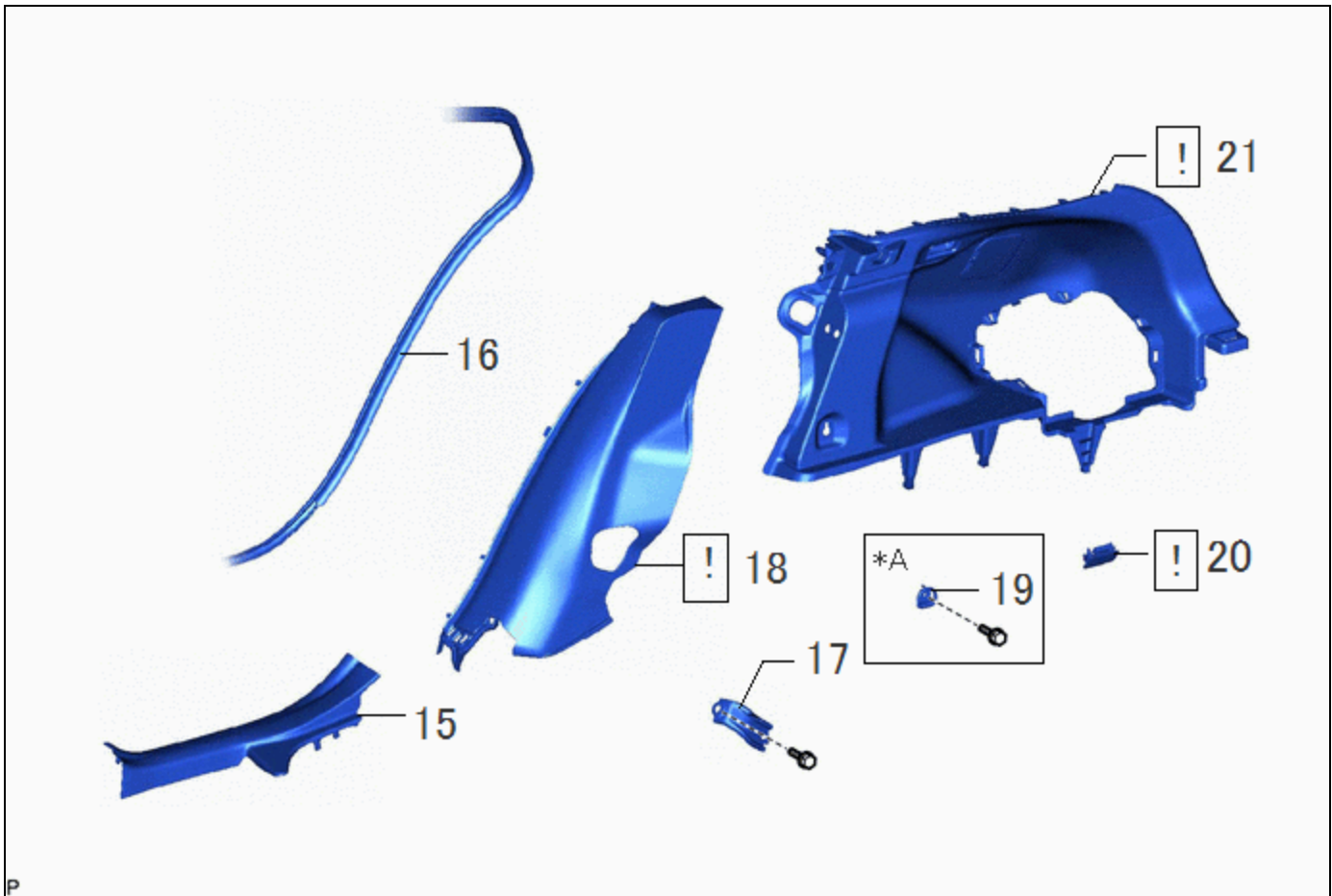
PROCEDURE		PART NAME CODE			
4	DECK BOARD ASSEMBLY	58410B	-	-	-
5	REAR SEAT HEADREST ASSEMBLY	71940A	-	-	-
6	REAR SEAT CENTER HEADREST ASSEMBLY	71960B	-	-	-
7	REAR CENTER SEAT OUTER BELT ASSEMBLY	73350C	INFO	-	-
8	REAR SEATBACK ASSEMBLY RH	-	INFO	-	-
9	REAR SEAT CUSHION ASSEMBLY	-	INFO	-	-
10	REAR SEAT CUSHION LOCK HOOK	72693	-	-	-

*A	for Rear Side	*B	w/ Center Headrest
•	Non-reusable part	-	-



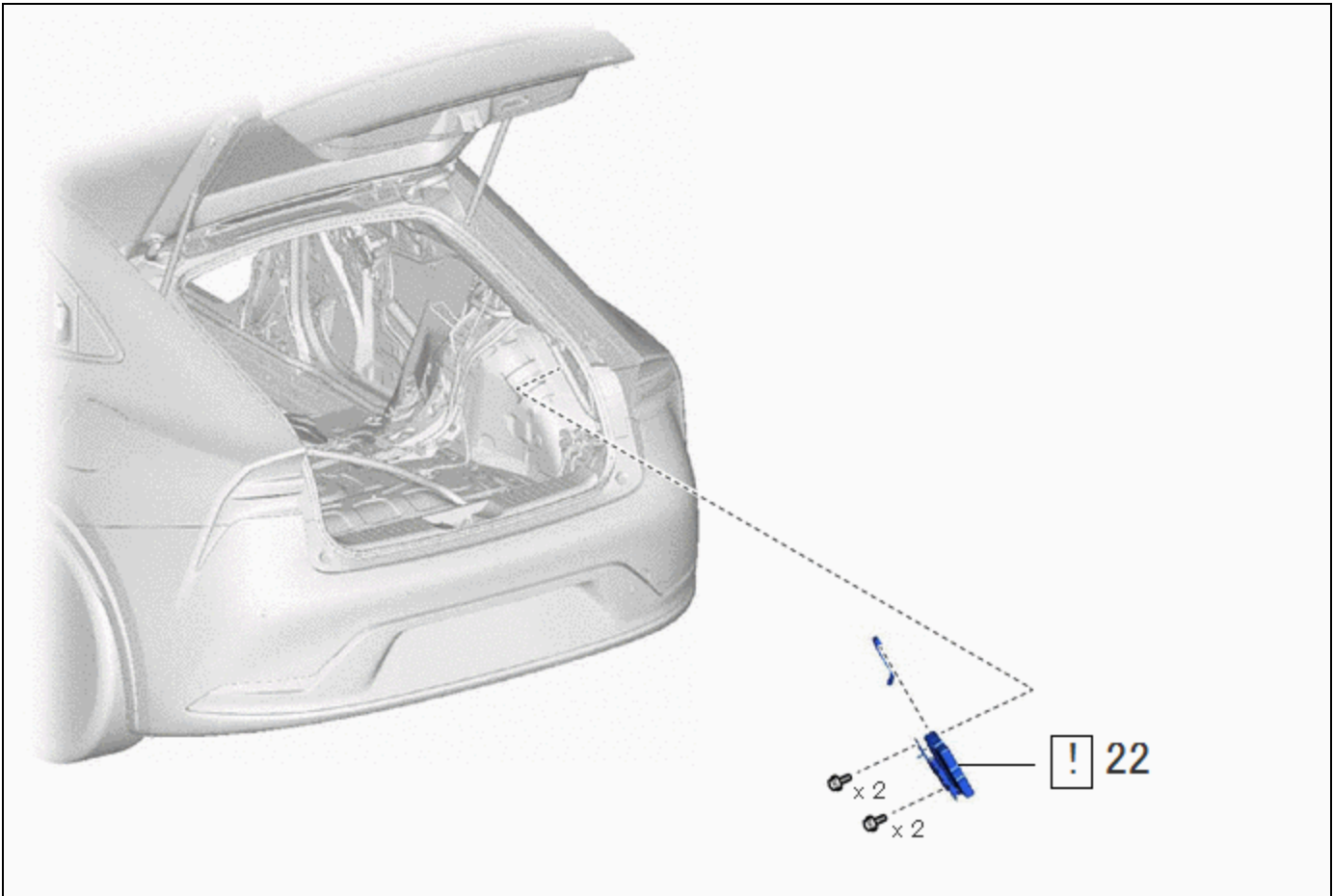
PROCEDURE		PART NAME CODE			
11	REAR SEAT CUSHION LOCK HOOK	64995	-	-	-
12	DECK FLOOR BOX LH	64997	-	-	-
13	LUGGAGE HOLD BELT STRIKER ASSEMBLY	58460D	-	-	-
14	REAR DECK TRIM COVER	64716D	-	-	-

*A	for Rear Side	-	-
----	---------------	---	---



PROCEDURE		PART NAME CODE			
15	REAR DOOR SCUFF PLATE INSIDE RH	67917F	-	-	-
16	REAR DOOR OPENING TRIM WEATHERSTRIP RH	62331A	-	-	-
17	REAR SEAT BACK HINGE SUB-ASSEMBLY RH	70303C	-	-	-
18	REAR SEAT SIDE GARNISH RH	62551F	INFO	-	-
19	LUGGAGE HOLD BELT STRIKER ASSEMBLY	58460D	-	-	-
20	NO. 1 LUGGAGE COMPARTMENT LIGHT ASSEMBLY	81330	INFO	-	-
21	DECK TRIM SIDE PANEL ASSEMBLY RH	64730B	INFO	-	-

*A	for RH Side	-	-
----	-------------	---	---



PROCEDURE		PART NAME CODE			
22	PLUGIN CHARGE CONTROL ECU ASSEMBLY	89260E	INFO	-	-

PROCEDURE

1. PRECAUTION

	Click here INFO
--	---------------------------------

2. REMOVE BATTERY SERVICE HOLE COVER ASSEMBLY

	Click here INFO
--	---------------------------------

3. DISCONNECT CABLE FROM NEGATIVE AUXILIARY BATTERY TERMINAL

Click here [INFO](#)

4. REMOVE DECK BOARD ASSEMBLY

Click here [INFO](#)

5. REMOVE REAR SEAT HEADREST ASSEMBLY (for RH Side)

Click here [INFO](#)

6. REMOVE REAR SEAT CENTER HEADREST ASSEMBLY (for RH Side)

(a) w/ Center Headrest:

Click here [INFO](#)


7. DISCONNECT REAR CENTER SEAT OUTER BELT ASSEMBLY

	Click here INFO
---	---------------------------------

8. REMOVE REAR SEATBACK ASSEMBLY RH

	Click here INFO
---	---------------------------------

9. REMOVE REAR SEAT CUSHION ASSEMBLY

	Click here INFO
---	---------------------------------

10. REMOVE REAR SEAT CUSHION LOCK HOOK

Click here [INFO](#)

11. REMOVE DECK FLOOR BOX RH

Click here [INFO](#)

12. REMOVE DECK FLOOR BOX LH

Click here [INFO](#)

13. REMOVE LUGGAGE HOLD BELT STRIKER ASSEMBLY (for Rear Side)

Click here [INFO](#)

14. REMOVE REAR DECK TRIM COVER

Click here [INFO](#)

15. REMOVE REAR DOOR SCUFF PLATE INSIDE RH

(a) Use the same procedure as for the LH side.

Click here [INFO](#)

16. DISCONNECT REAR DOOR OPENING TRIM WEATHERSTRIP RH

(a) Use the same procedure as for the LH side.

Click here [INFO](#)

17. REMOVE REAR SEAT BACK HINGE SUB-ASSEMBLY RH

(a) Use the same procedure as for the LH side.

Click here [INFO](#)

18. REMOVE REAR SEAT SIDE GARNISH RH



Use the same procedure as for the LH side.

Click here [INFO](#)

19. REMOVE LUGGAGE HOLD BELT STRIKER ASSEMBLY (for RH Side)

Click here [INFO](#)

20. REMOVE NO. 1 LUGGAGE COMPARTMENT LIGHT ASSEMBLY



Click here [INFO](#)

21. REMOVE DECK TRIM SIDE PANEL ASSEMBLY RH



Use the same procedure as for the LH side.

Click here [INFO](#)

22. REMOVE PLUGIN CHARGE CONTROL ECU ASSEMBLY



CAUTION:

Be sure to wear insulated gloves.

