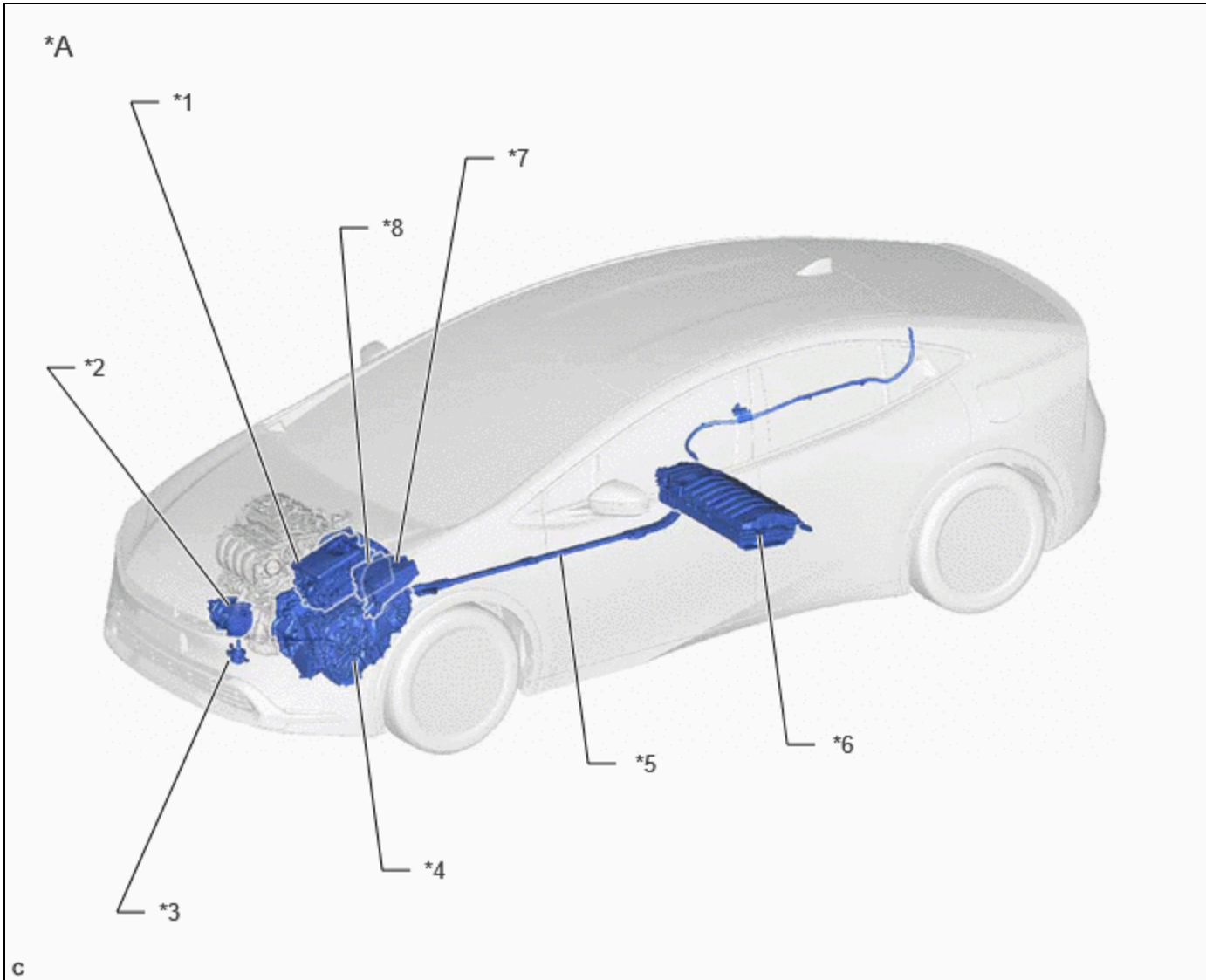


Last Modified: 12-04-2024	6.11:8.1.0	Doc ID: RM100000029BHT
Model Year Start: 2023	Model: Prius Prime	Prod Date Range: [12/2022 -]
Title: HYBRID / BATTERY CONTROL: MOTOR GENERATOR CONTROL SYSTEM (for M20A-FXS): PARTS LOCATION; 2023 - 2024 MY Prius Prius Prime [12/2022 -]		

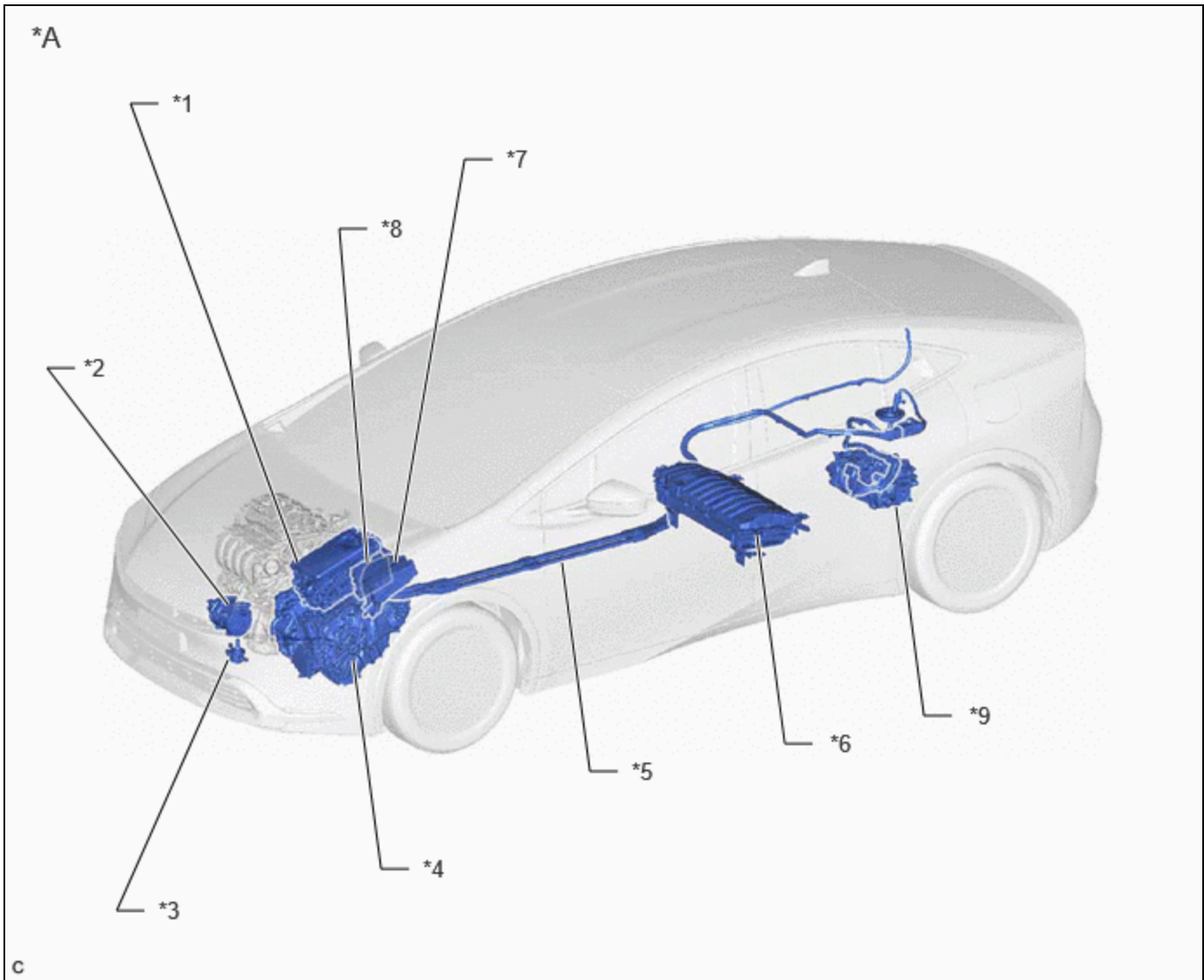
PARTS LOCATION

ILLUSTRATION



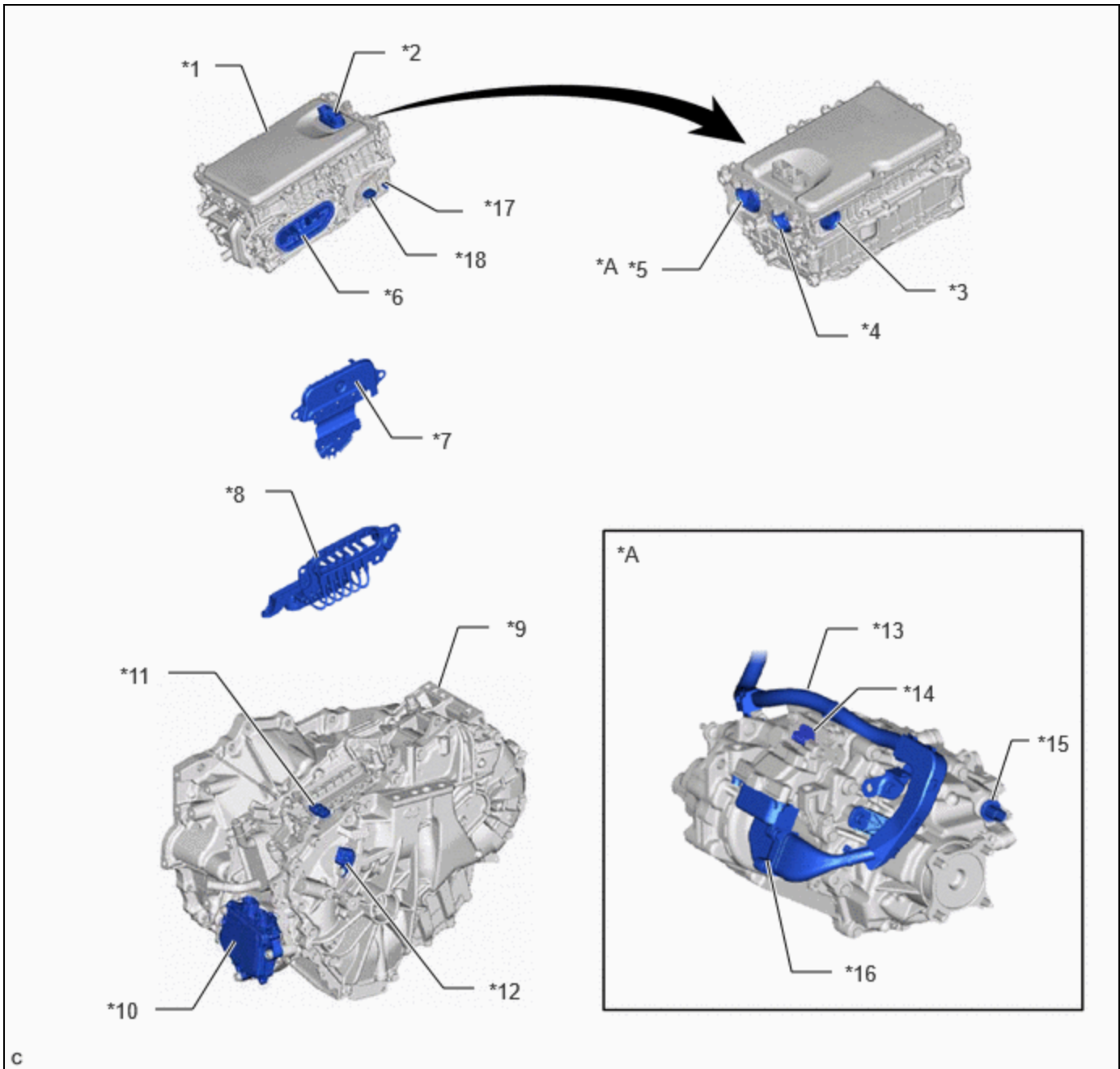
*A	for 2WD	-	-
*1	INVERTER WITH CONVERTER ASSEMBLY	*2	COMPRESSOR WITH MOTOR ASSEMBLY
*3	INVERTER WATER PUMP ASSEMBLY	*4	HYBRID VEHICLE TRANSAXLE ASSEMBLY
*5	HV FLOOR UNDER WIRE	*6	HV BATTERY
*7	NO. 1 ENGINE ROOM RELAY BLOCK AND NO. 1 JUNCTION BLOCK ASSEMBLY	*8	ECM

ILLUSTRATION



*A	for 4WD	-	-
*1	INVERTER WITH CONVERTER ASSEMBLY	*2	COMPRESSOR WITH MOTOR ASSEMBLY
*3	INVERTER WATER PUMP ASSEMBLY	*4	HYBRID VEHICLE TRANSAXLE ASSEMBLY
*5	HV FLOOR UNDER WIRE	*6	HV BATTERY
*7	NO. 1 ENGINE ROOM RELAY BLOCK AND NO. 1 JUNCTION BLOCK ASSEMBLY	*8	ECM
*9	REAR TRACTION MOTOR WITH TRANSAXLE ASSEMBLY	-	-

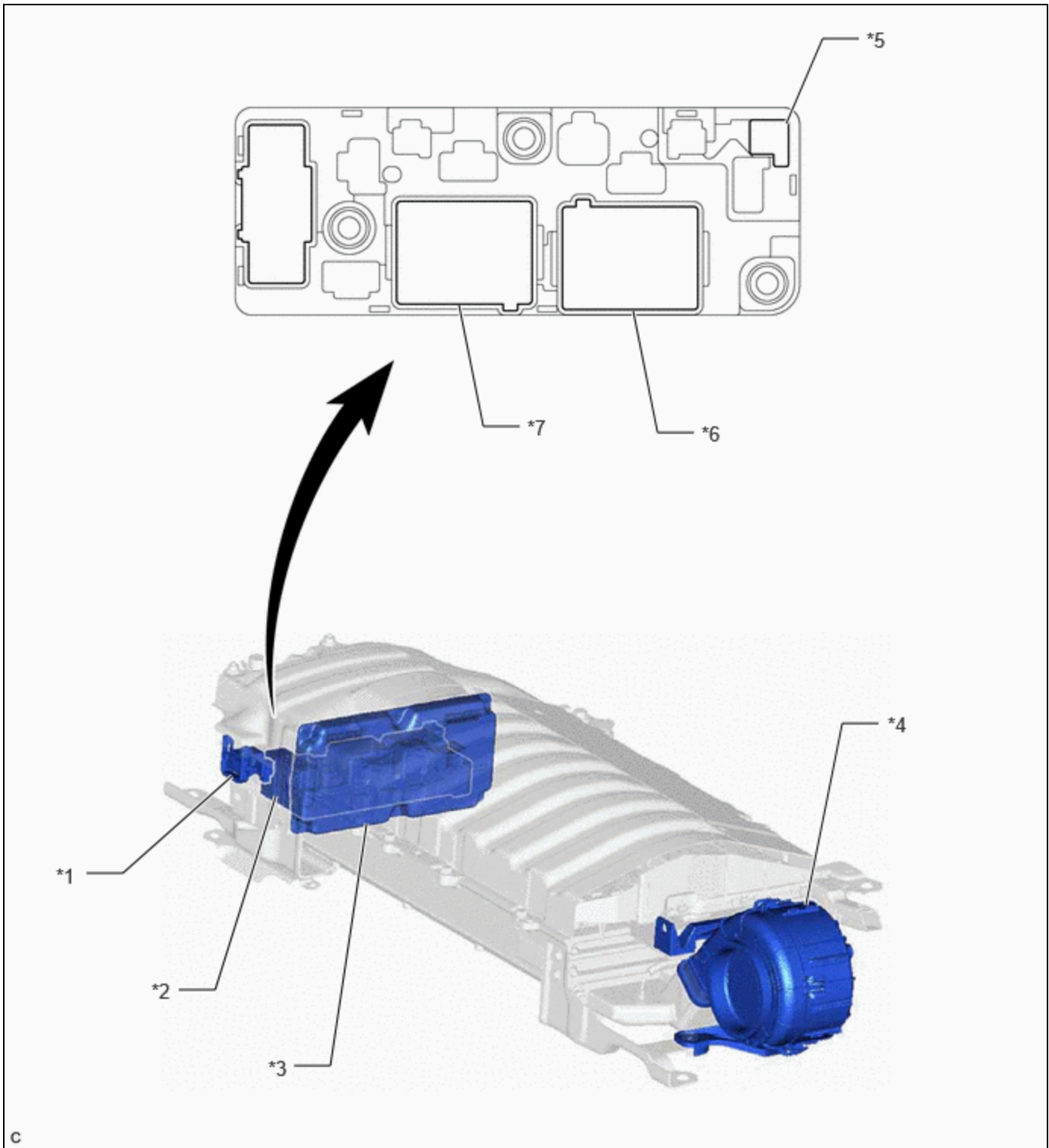
ILLUSTRATION



*A	for 4WD	-	-
*1	INVERTER WITH CONVERTER ASSEMBLY	*2	LOW VOLTAGE CONNECTOR
*3	HV AIR CONDITIONING WIRE CONNECTION	*4	HV FLOOR UNDER WIRE (HV BATTERY) CONNECTION
*5	HV FLOOR UNDER WIRE (REAR TRACTION MOTOR CABLE) CONNECTION	*6	MOTOR CABLE CONNECTION
*7	INVERTER COVER - INTERLOCK	*8	MOTOR CABLE
*9	HYBRID VEHICLE TRANSAXLE ASSEMBLY	*10	SHIFT CONTROL ACTUATOR ASSEMBLY - SHIFT ACTUATOR ECU

*11	MOTOR TEMPERATURE SENSOR AND GENERATOR TEMPERATURE SENSOR CONNECTOR	*12	MOTOR RESOLVER, GENERATOR RESOLVER AND TRANSMISSION FLUID TEMPERATURE SENSOR CONNECTOR
*13	REAR TRACTION MOTOR WITH TRANSAXLE ASSEMBLY	*14	REAR MOTOR TEMPERATURE SENSOR CONNECTOR
*15	REAR MOTOR RESOLVER CONNECTOR	*16	HV FLOOR UNDER WIRE (REAR TRACTION MOTOR CABLE)
*17	AMD TERMINAL	*18	LOW VOLTAGE CONNECTOR (DC/DC CONVERTER)

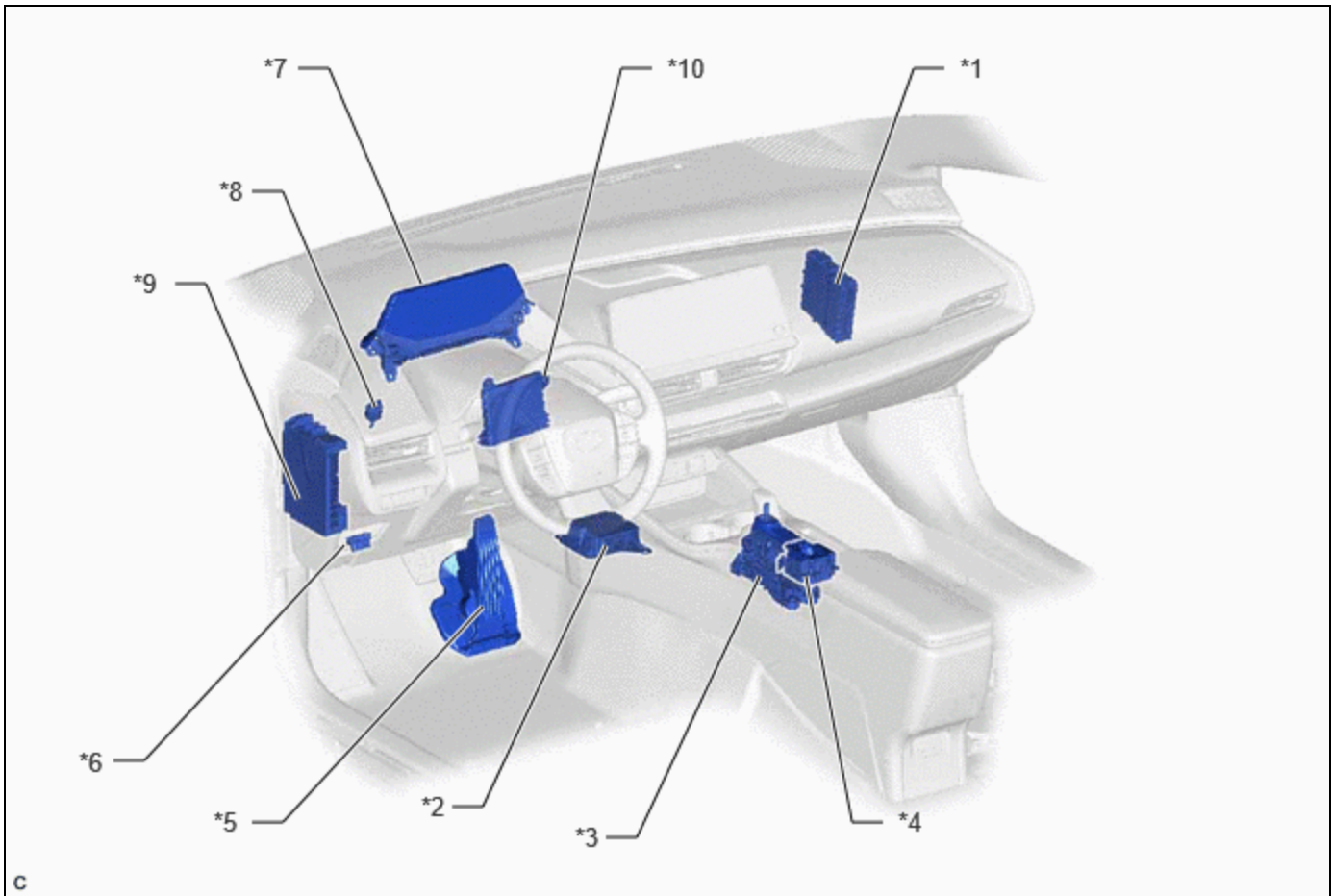
ILLUSTRATION



C

*1	SERVICE PLUG GRIP	*2	NO. 1 TRACTION BATTERY DEVICE BOX
*3	BATTERY ECU ASSEMBLY	*4	BATTERY COOLING BLOWER ASSEMBLY
*5	BATTERY CURRENT SENSOR	*6	SMRB
*7	SMRG	-	-

ILLUSTRATION



c

*1	HYBRID VEHICLE CONTROL ECU	*2	AIRBAG ECU ASSEMBLY
*3	TRANSMISSION FLOOR SHIFT ASSEMBLY - SHIFT CONTROL ECU	*4	ELECTRIC PARKING BRAKE SWITCH ASSEMBLY (COMBINATION SWITCH) - DRIVE MODE SELECT SWITCH - EV DRIVE MODE SWITCH
*5	ACCELERATOR PEDAL SENSOR ASSEMBLY	*6	DLC3
*7	COMBINATION METER ASSEMBLY	*8	STOP LIGHT SWITCH ASSEMBLY
*9	POWER DISTRIBUTION BOX ASSEMBLY	*10	AIR CONDITIONING AMPLIFIER ASSEMBLY

