

Last Modified: 12-04-2024	6.11:8.1.0	Doc ID: RM100000028ZY0
Model Year Start: 2023	Model: Prius Prime	Prod Date Range: [12/2022 -]
Title: HYBRID / BATTERY CONTROL: MOTOR GENERATOR CONTROL SYSTEM (for M20A-FXS): P0A3611,P0A3615; Generator Temperature Sensor Circuit Short to Ground; 2023 - 2024 MY Prius Prius Prime [12/2022 -]		

DTC	P0A3611	Generator Temperature Sensor Circuit Short to Ground
------------	----------------	---

DTC	P0A3615	Generator Temperature Sensor Circuit Short to Auxiliary Battery or Open
------------	----------------	--

DTC SUMMARY

MALFUNCTION DESCRIPTION

These DTCs are stored when the generator temperature sensor output is abnormal. The cause of this malfunction may be one of the following:

Motor generator control ECU (MG ECU) malfunction

- Motor generator control ECU (MG ECU) internal malfunction

Generator temperature sensor malfunction

- Internal generator temperature sensor malfunction
- Open or short in generator temperature sensor

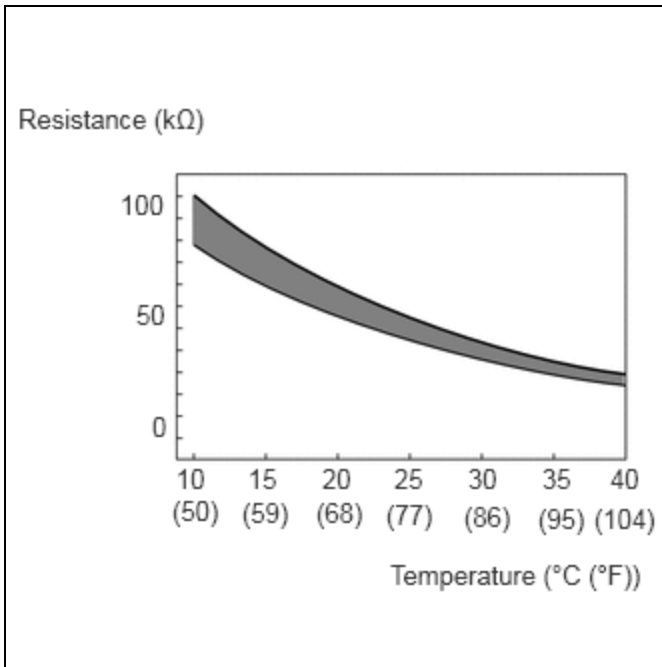
Wire harness between the generator temperature sensor and motor generator control ECU (MG ECU)

- The connectors are not connected properly
- Foreign matter or water on the connector terminals
- Open or short in wire harness

HINT:

If any of these DTCs are stored, the generator temperature sensor is malfunctioning and the self-protection function may not operate. Therefore under certain high load driving condition, the temperature of the generator (MG1) becomes high. If the self-protection function does not operate, the generator (MG1) may malfunction and cause the vehicle to enter fail-safe mode.

DESCRIPTION



The resistance of the thermistor built into the generator temperature sensor changes in accordance with changes in generator (MG1) temperature. The lower the generator (MG1) temperature, the higher the thermistor resistance. Conversely, the higher the generator (MG1) temperature, the lower the resistance.

DTC NO.	DETECTION ITEM	DTC DETECTION CONDITION	TROUBLE AREA	MIL	WARNING INDICATE	DTC OUTPUT FROM	PRIORITY	NOTE
P0A3611	Generator Temperature Sensor Circuit Short to Ground	Short to ground in the generator temperature sensor circuit (1 trip detection logic)	<ul style="list-style-type: none"> Wire harness or connector Inverter with converter assembly Generator temperature sensor (Hybrid vehicle transaxle assembly) 	Comes on	Master Warning: Comes on	Motor Generator	A	SAE Code: P0A38
P0A3615	Generator Temperature Sensor Circuit Short to Auxiliary Battery or Open	Open or short to +B in the generator temperature sensor circuit (1 trip detection logic)	<ul style="list-style-type: none"> Wire harness or connector Inverter with converter assembly Generator temperature sensor (Hybrid vehicle transaxle assembly) 	Comes on	Master Warning: Comes on	Motor Generator	A	SAE Code: P0A39

HINT:

After confirming that DTC P0A3611 or P0A3615 is output, use the GTS to check "Generator Temperature" in the Data List.

DISPLAYED TEMPERATURE	MALFUNCTION
-40°C (-40°F)	Open circuit or short to +B
215°C (419°F)	Short to ground

MONITOR DESCRIPTION

If the motor generator control ECU detects a malfunction of the generator temperature sensor, it will illuminate the MIL and store a DTC.

MONITOR STRATEGY

Related DTCs	P0A38 (INF P0A3611): Generator Temperature Sensor Circuit Low P0A39 (INF P0A3615): Generator Temperature Sensor Circuit High
Required sensors/components	Generator temperature sensor
Frequency of operation	Continuous
Duration	TMC's intellectual property
MIL operation	1 driving cycle
Sequence of operation	None

TYPICAL ENABLING CONDITIONS

The monitor will run whenever the following DTCs are not stored	TMC's intellectual property
Other conditions belong to TMC's intellectual property	-

TYPICAL MALFUNCTION THRESHOLDS

TMC's intellectual property	-
-----------------------------	---

COMPONENT OPERATING RANGE

Motor generator control ECU	DTC P0A38 (INF P0A3611) is not detected DTC P0A39 (INF P0A3615) is not detected
-----------------------------	--

CONFIRMATION DRIVING PATTERN

HINT:

- After repair has been completed, clear the DTC and then check that the vehicle has returned to normal by performing the following All Readiness check procedure.

[Click here](#) INFO

- When clearing the permanent DTCs, refer to the "CLEAR PERMANENT DTC" procedure.

[Click here](#) INFO

- Clear the DTCs (even if no DTCs are stored, perform the clear DTC procedure).

2. Turn the ignition switch off and wait for 2 minutes or more.
3. With ignition switch ON and wait for 5 seconds or more. [*1]

HINT:

[*1]: Normal judgment procedure.

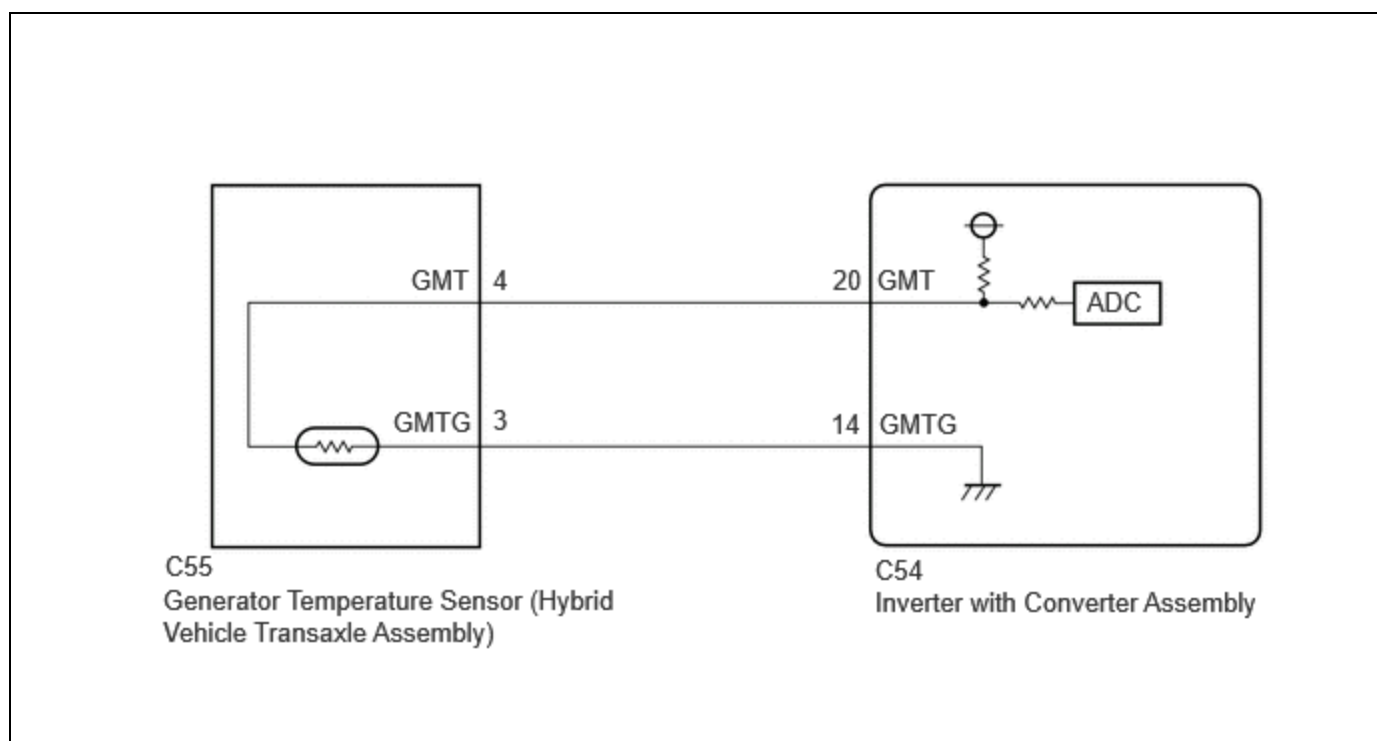
The normal judgment procedure is used to complete DTC judgment and also used when clearing permanent DTCs.

4. Enter the following menus: Powertrain / Motor Generator / Utility / All Readiness.
5. Check the DTC judgment result.

HINT:

- o If the judgment result shows NORMAL, the system is normal.
- o If the judgment result shows ABNORMAL, the system has a malfunction.
- o If the judgment result shows INCOMPLETE, perform the normal judgment procedure again.

WIRING DIAGRAM



CAUTION / NOTICE / HINT

CAUTION:

Refer to the precautions before inspecting high voltage circuit.

Click here [INFO](#)

NOTICE:

- After the ignition switch is turned off, there may be a waiting time before disconnecting the negative (-) auxiliary battery terminal.

Click here [INFO](#)

- When disconnecting and reconnecting the auxiliary battery.

HINT:

When disconnecting and reconnecting the auxiliary battery, there is an automatic learning function that completes learning when the respective system is used.

[Click here](#) INFO

PROCEDURE

1.	CHECK CONNECTOR CONNECTION CONDITION (INVERTER WITH CONVERTER ASSEMBLY CONNECTOR)
-----------	--

Click here INFO

RESULT	PROCEED TO
OK	A
NG (The connector is not connected securely.)	B
NG (The terminals are not making secure contact or are deformed, or water or foreign matter exists in the connector.)	C

B ▶ **CONNECT SECURELY**

C ▶ **REPAIR OR REPLACE HARNESS OR CONNECTOR**

A
▼

2.	CHECK CONNECTOR CONNECTION CONDITION (GENERATOR TEMPERATURE SENSOR CONNECTOR)
-----------	--

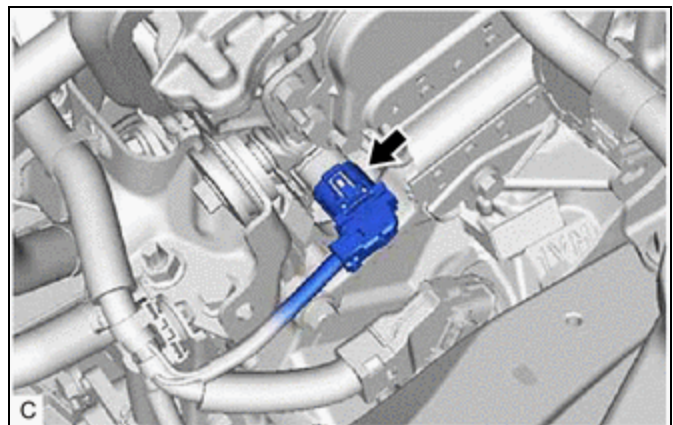
(a) Check the connection condition of the generator temperature sensor connector and the contact pressure of each terminal. Check the terminals for deformation, and check the connector for water ingress and foreign matter.

HINT:

[Click here](#) INFO

OK:

- The connector is connected securely.
- The terminals are not deformed and are connected securely.
- No water or foreign matter in the connector.



RESULT	PROCEED TO
OK	A
NG (The connector is not connected securely.)	B
NG (The terminals are not making secure contact or are deformed, or water or foreign matter exists in the connector.)	C

B ► CONNECT SECURELY

C ► REPAIR OR REPLACE HARNESS OR CONNECTOR

A



3.	READ VALUE USING GTS (GENERATOR TEMPERATURE)
-----------	---

Pre-procedure1

(a) None

Procedure1

(b) Read the Data List.

Powertrain > Motor Generator > Data List

TESTER DISPLAY
Generator Temperature

Result	PROCEED TO
-40°C (-40°F) or 215°C (419°F)	A
Same as actual temperature	B

Post-procedure1

(c) Turn the ignition switch off.

B ► REPAIR OR REPLACE HARNESS OR CONNECTOR



4. INSPECT HYBRID VEHICLE TRANSAXLE ASSEMBLY (GENERATOR TEMPERATURE SENSOR)

Pre-procedure1

(a) Disconnect the generator temperature sensor connector.

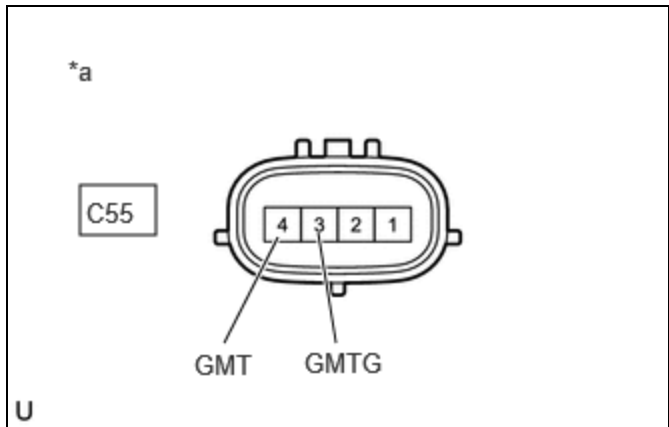
Procedure1

(b) Measure the resistance according to the value(s) in the table below.

Standard Resistance:



[Click Location & Routing\(C55\)](#)
[Click Connector\(C55\)](#)



*a Component without harness connected (Generator Temperature Sensor (Hybrid Vehicle Transaxle Assembly))

TESTER CONNECTION	CONDITION	SPECIFIED CONDITION	RESULT
C55-4 (GMT) - C55-3 (GMTG)	Ignition switch off	0.3 to 2000 kΩ	kΩ

Result:

PROCEED TO
OK
NG

Post-procedure1

(c) Reconnect the generator temperature sensor connector.

NG REPLACE HYBRID VEHICLE TRANSAXLE ASSEMBLY

Click here



5. CHECK HARNESS AND CONNECTOR (GENERATOR TEMPERATURE SENSOR - INVERTER WITH CONVERTER ASSEMBLY)

Pre-procedure1

- (a) Disconnect the generator temperature sensor connector.
- (b) Disconnect the inverter with converter assembly connector.

Procedure1

- (c) Measure the resistance according to the value(s) in the table below.

Standard Resistance (Check for Open):



[Click Location & Routing\(C55,C54\).](#)

[Click Connector\(C55\).](#)

[Click Connector\(C54\).](#)

TESTER CONNECTION	CONDITION	SPECIFIED CONDITION	RESULT
C55-4 (GMT) - C54-20 (GMT)	Ignition switch off	Below 1 Ω	Ω
C55-3 (GMTG) - C54-14 (GMTG)	Ignition switch off	Below 1 Ω	Ω

Standard Resistance (Check for Short):



[Click Location & Routing\(C55,C54\).](#)

[Click Connector\(C55\).](#)

[Click Connector\(C54\).](#)

TESTER CONNECTION	CONDITION	SPECIFIED CONDITION	RESULT
C55-4 (GMT) or C54-20 (GMT) - Body ground and other terminals	Ignition switch off	10 k Ω or higher	k Ω
C55-3 (GMTG) or C54-14 (GMTG) - Body ground and other terminals	Ignition switch off	10 k Ω or higher	k Ω

Post-procedure1

- (d) Reconnect the inverter with converter assembly connector.
- (e) Reconnect the generator temperature sensor connector.

OK ► REPLACE INVERTER WITH CONVERTER ASSEMBLY

NG ► REPAIR OR REPLACE HARNESS OR CONNECTOR

