

Last Modified: 12-04-2024	6.11:8.1.0	Doc ID: RM100000029QWP
Model Year Start: 2023	Model: Prius Prime	Prod Date Range: [12/2022 -]
Title: HYBRID / BATTERY CONTROL: HYBRID VEHICLE CONTROL ECU: INSTALLATION; 2023 - 2024 MY Prius Prius Prime [12/2022 -]		

INSTALLATION

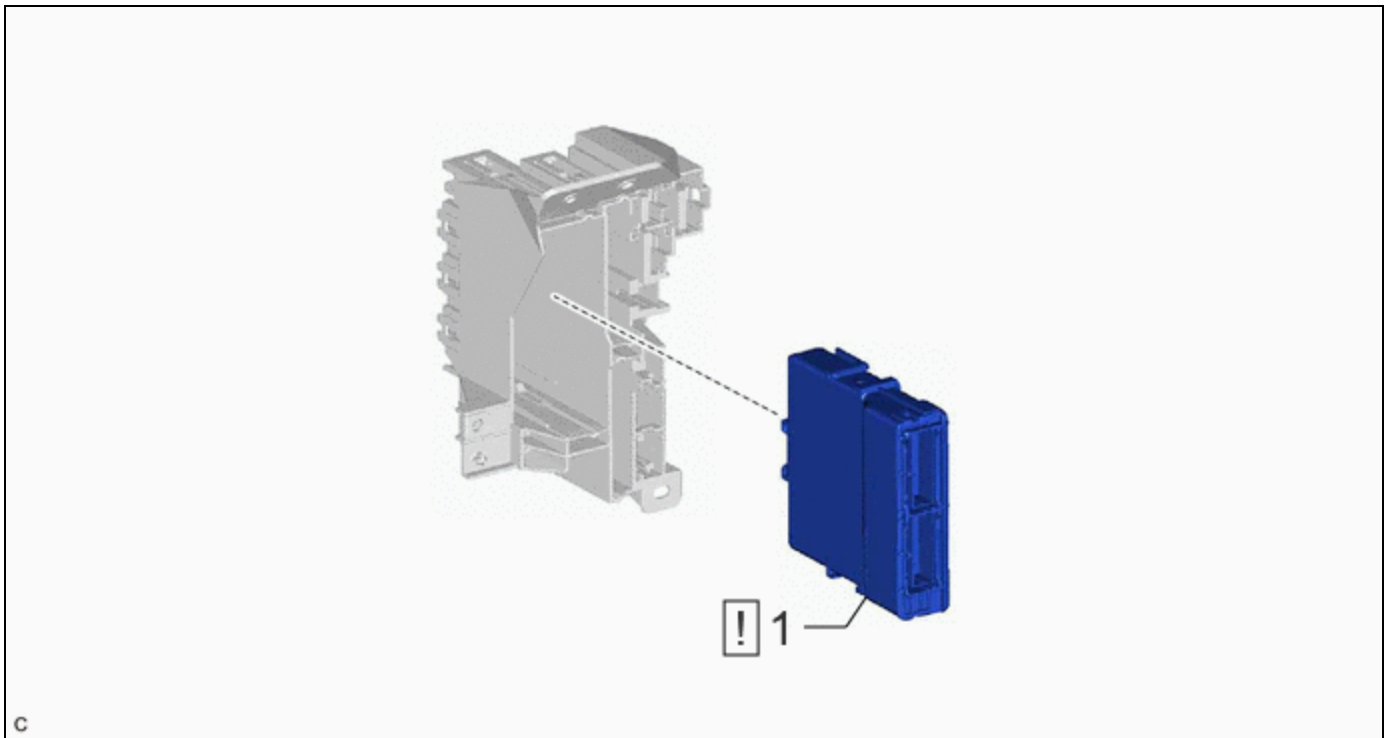
CAUTION / NOTICE / HINT

NOTICE:

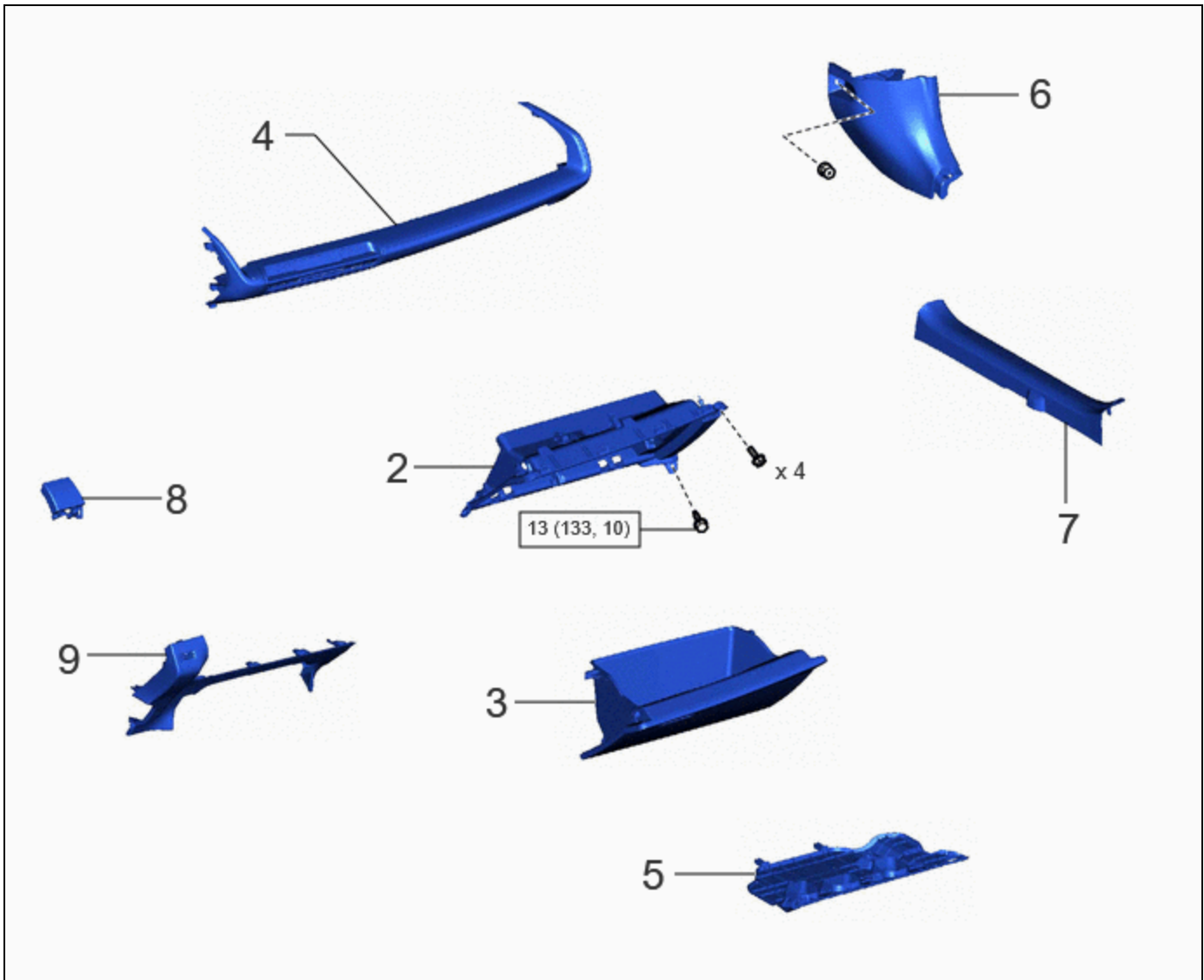
- After replacing the hybrid vehicle control ECU, make sure to perform update ECU security key.
- After performing the update ECU security key procedure, make sure to perform the initialization procedure for when the cable has been disconnected and reconnected to the negative (-) auxiliary battery terminal.




CAUTION / NOTICE / HINT

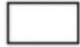
COMPONENTS (INSTALLATION)

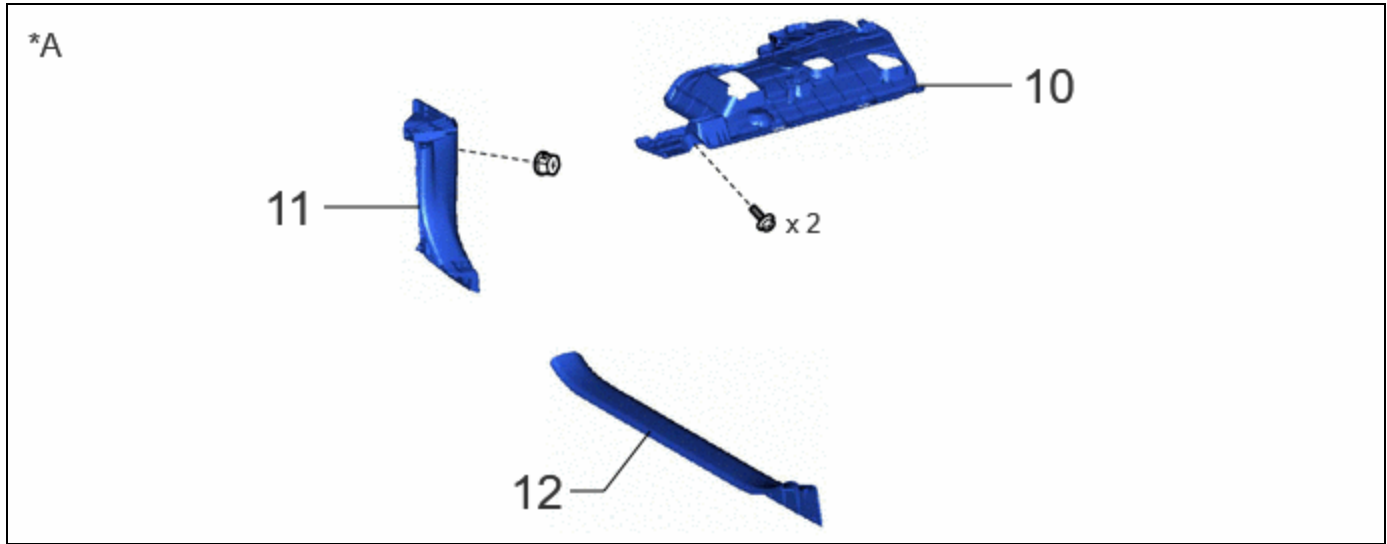


PROCEDURE		PART NAME CODE			
1	HYBRID VEHICLE CONTROL ECU	89981	INFO	-	-



PROCEDURE		PART NAME CODE			
2	LOWER INSTRUMENT PANEL SUB-ASSEMBLY	55303B	-	-	-
3	GLOVE COMPARTMENT DOOR ASSEMBLY	55550	-	-	-
4	NO. 2 INSTRUMENT PANEL GARNISH SUB-ASSEMBLY WITH AIR CONDITIONING CONTROL ASSEMBLY	-	-	-	-
5	NO. 2 INSTRUMENT PANEL UNDER COVER SUB-ASSEMBLY	55607	-	-	-
6	COWL SIDE TRIM BOARD RH	62111C	-	-	-
7	FRONT DOOR SCUFF PLATE RH	67913	-	-	-
8	LOWER CENTER INSTRUMENT CLUSTER FINISH PANEL SUB-ASSEMBLY	55406B	-	-	-
9	LOWER CENTER INSTRUMENT PANEL FINISH PANEL	55434B	-	-	-

	N*m (kgf*cm, ft.*lbf): Specified torque	-	-
---	---	---	---






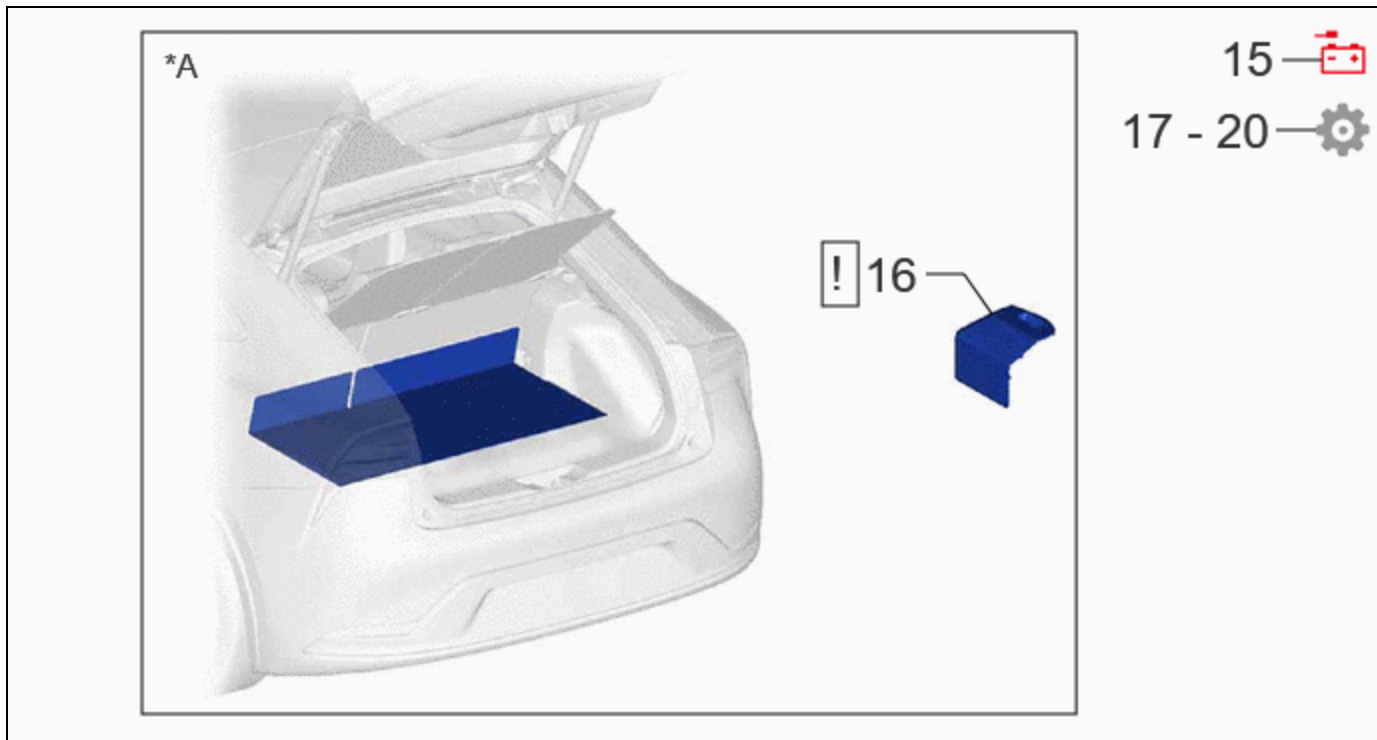
	PROCEDURE	PART NAME CODE	!	📄	⚙️
10	NO. 1 INSTRUMENT PANEL UNDER COVER SUB-ASSEMBLY	55606	-	-	-
11	COWL SIDE TRIM BOARD LH	62112	-	-	-
12	FRONT DOOR SCUFF PLATE LH	67914	-	-	-




*A	w/ Knee Airbag	-	-
----	----------------	---	---



	PROCEDURE	PART NAME CODE	!	📄	⚙️
13	INSTRUMENT SIDE PANEL RH	55317A	-	-	-

PROCEDURE		PART NAME CODE			
14	FRONT DOOR OPENING TRIM WEATHERSTRIP RH	62311B	-	-	-

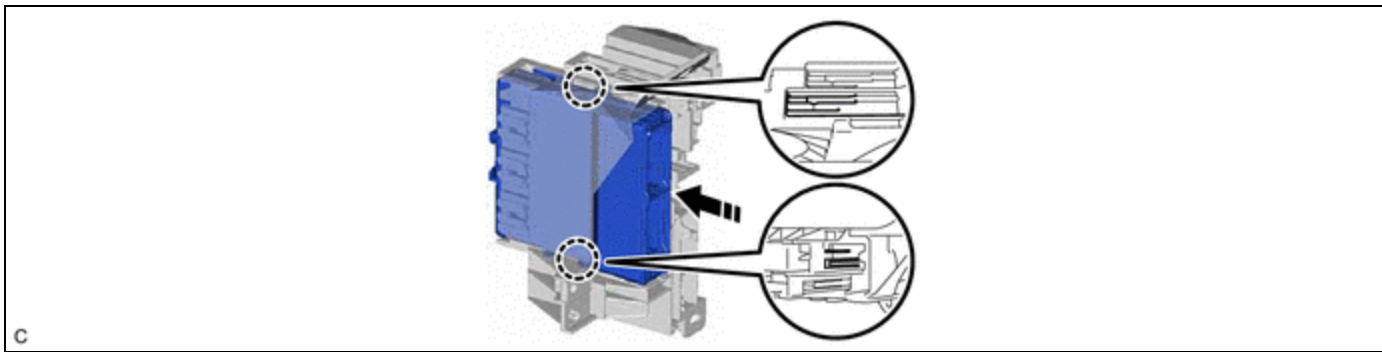



PROCEDURE		PART NAME CODE			
15	NEGATIVE AUXILIARY BATTERY TERMINAL	-	-	-	-
16	BATTERY SERVICE HOLE COVER ASSEMBLY	58440	INFO	-	-
17	ECU CONFIGURATION	-	-	-	INFO
18	UPDATE ECU SECURITY KEY	-	-	-	INFO
19	PERFORM REGISTRATION	-	-	-	INFO
20	INITIALIZATION AFTER RECONNECTING AUXILIARY BATTERY TERMINAL	-	-	-	INFO

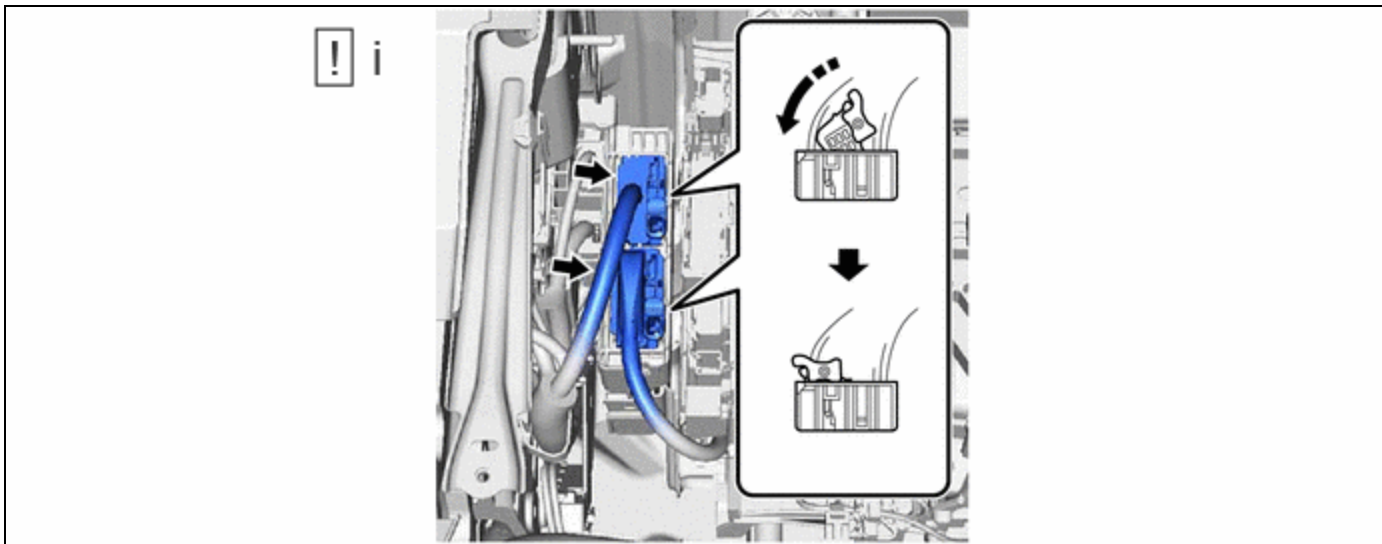
*A	for M20A-FXS	-	-
----	--------------	---	---

PROCEDURE

1. INSTALL HYBRID VEHICLE CONTROL ECU



	Install in this Direction	-	-
---	---------------------------	---	---



(1) Connect the 2 hybrid vehicle control ECU connectors as shown in the illustration.

2. INSTALL LOWER INSTRUMENT PANEL SUB-ASSEMBLY

Click here [INFO](#)

3. INSTALL GLOVE COMPARTMENT DOOR ASSEMBLY

4. INSTALL NO. 2 INSTRUMENT PANEL GARNISH SUB-ASSEMBLY WITH AIR CONDITIONING CONTROL ASSEMBLY

5. INSTALL NO. 2 INSTRUMENT PANEL UNDER COVER SUB-ASSEMBLY

6. INSTALL COWL SIDE TRIM BOARD RH

7. INSTALL FRONT DOOR SCUFF PLATE RH

8. INSTALL LOWER CENTER INSTRUMENT CLUSTER FINISH PANEL SUB-ASSEMBLY

9. INSTALL LOWER CENTER INSTRUMENT PANEL FINISH PANEL

10. INSTALL NO. 1 INSTRUMENT PANEL UNDER COVER SUB-ASSEMBLY (w/ Knee Airbag)

11. INSTALL COWL SIDE TRIM BOARD LH (w/ Knee Airbag)

12. INSTALL FRONT DOOR SCUFF PLATE LH (w/ Knee Airbag)

13. INSTALL INSTRUMENT SIDE PANEL RH**14. CONNECT FRONT DOOR OPENING TRIM WEATHERSTRIP RH****15. CONNECT CABLE TO NEGATIVE AUXILIARY BATTERY TERMINAL**

- for M20A-FXS:

Click here [INFO](#)

- for 2ZR-FXE:

Click here [INFO](#)

16. INSTALL BATTERY SERVICE HOLE COVER ASSEMBLY (for M20A-FXS)

Click here [INFO](#)

17. ECU CONFIGURATION

- (a) If the hybrid vehicle control ECU has been replaced, perform ECU configuration.

Click here [INFO](#)

18. UPDATE ECU SECURITY KEY

Click here [INFO](#)

19. PERFORM REGISTRATION**HINT:**

After replacing the hybrid vehicle control ECU, make sure to perform code registration.

Click here [INFO](#)

20. INITIALIZATION AFTER RECONNECTING AUXILIARY BATTERY TERMINAL**HINT:**

When disconnecting and reconnecting the battery, there is an automatic learning function that completes learning when the respective system is used.

Click here [INFO](#)

