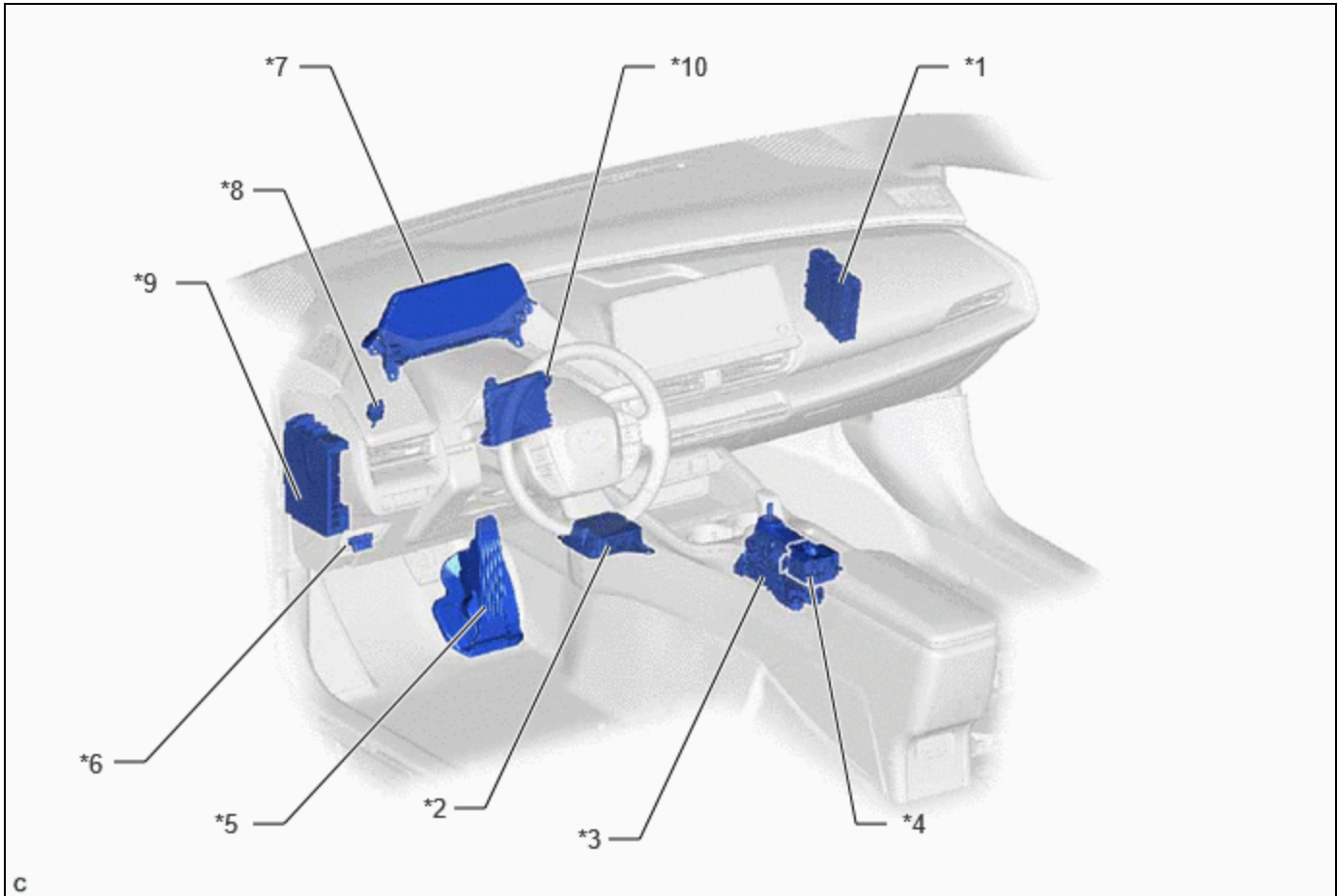


Last Modified: 12-04-2024	6.11:8.1.0	Doc ID: RM10000002BHVJ
Model Year Start: 2023	Model: Prius Prime	Prod Date Range: [03/2023 -]
Title: HYBRID / BATTERY CONTROL: HYBRID BATTERY SYSTEM (for PHEV Model): PARTS LOCATION; 2023 - 2024 MY Prius Prime [03/2023 -]		

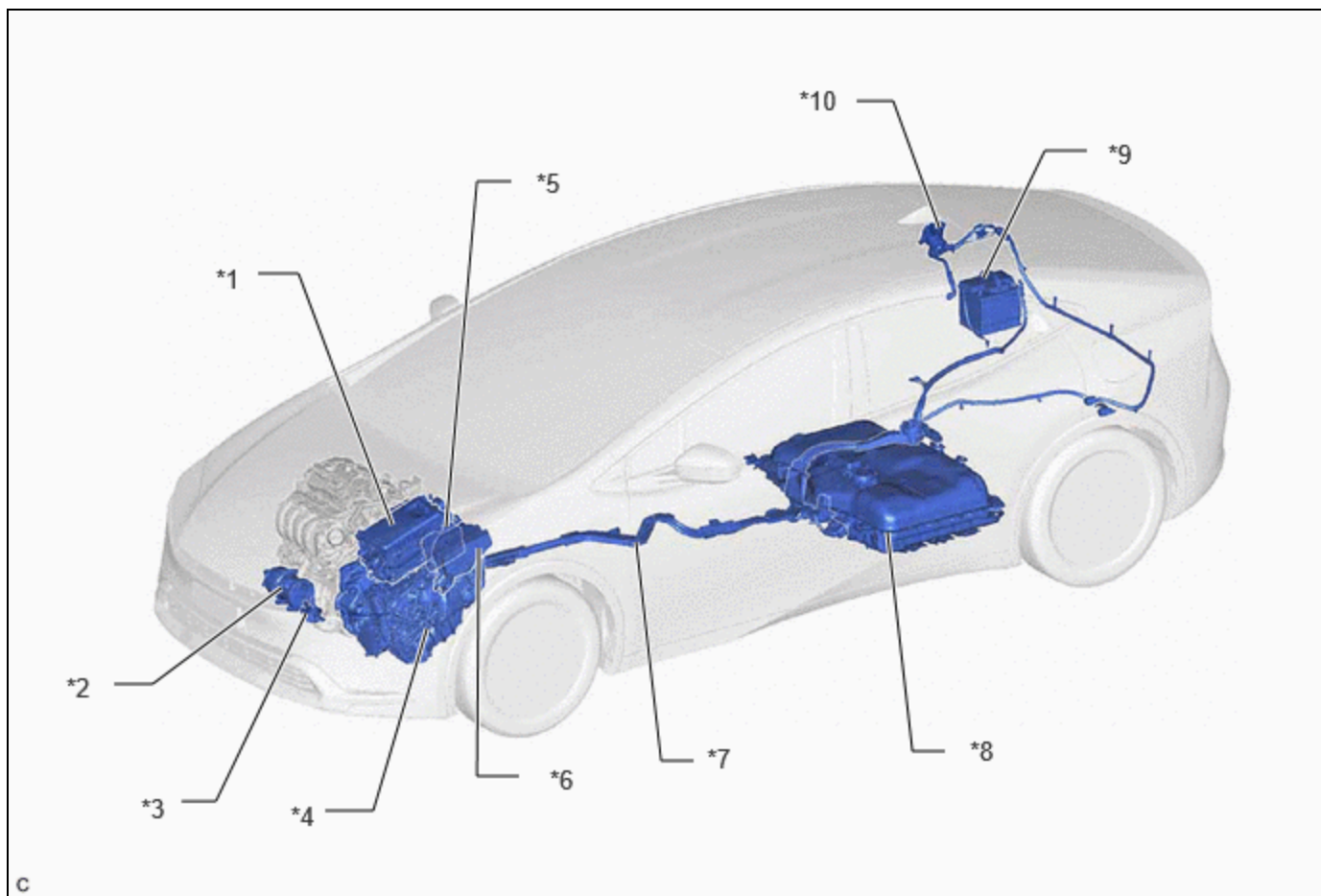
PARTS LOCATION

ILLUSTRATION



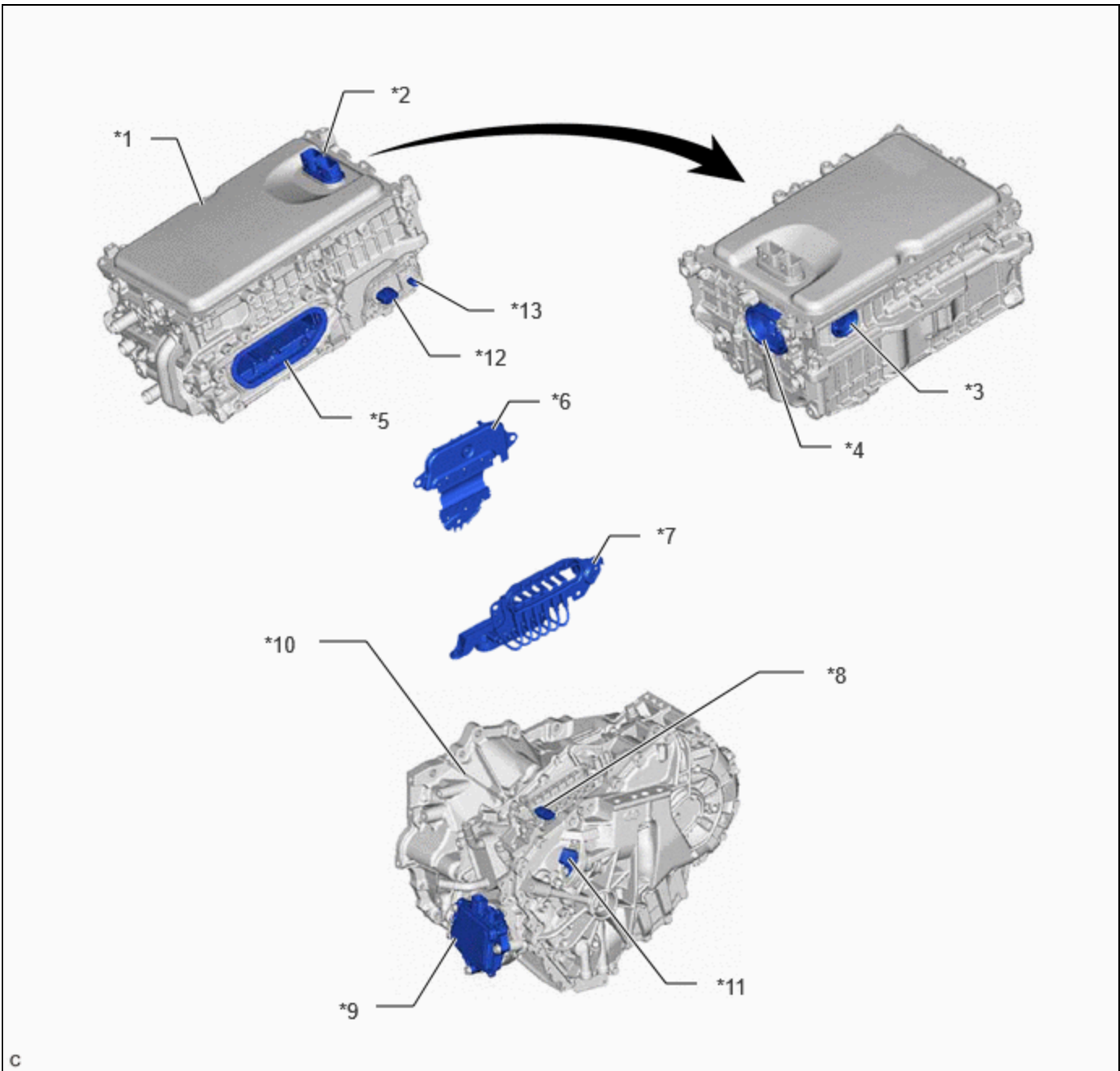
*1	HYBRID VEHICLE CONTROL ECU	*2	AIRBAG SENSOR ASSEMBLY
*3	TRANSMISSION FLOOR SHIFASSEMBLY - SHIFT CONTROL ECU	*4	ELECTRIC PARKING BRAKE SWITCH ASSEMBLY (COMBINATION SWITCH) - AUTO EV/HV MODE SWITCH - HV EV CHG HOLD MODE SWITCH - DRIVE MODE SELECT SWITCH
*5	ACCELERATOR PEDAL (WITH SENSOR) ROD ASSEMBLY	*6	DLC3
*7	COMBINATION METER ASSEMBLY	*8	STOP LIGHT SWITCH ASSEMBLY
*9	POWER DISTRIBUTION BOX ASSEMBLY	*10	AIR CONDITIONING AMPLIFIER ASSEMBLY

ILLUSTRATION



*1	INVERTER WITH CONVERTER ASSEMBLY	*2	COMPRESSOR WITH MOTOR ASSEMBLY
*3	INVERTER WATER PUMP ASSEMBLY	*4	HYBRID VEHICLE TRANSAXLE ASSEMBLY
*5	ECM	*6	NO. 1 ENGINE ROOM RELAY BLOCK AND NO. 1 JUNCTION BLOCK ASSEMBLY
*7	HV FLOOR UNDER WIRE	*8	HV SUPPLY BATTERY ASSEMBLY
*9	AUXILIARY BATTERY	*10	AC CHARGER INLET CABLE

ILLUSTRATION

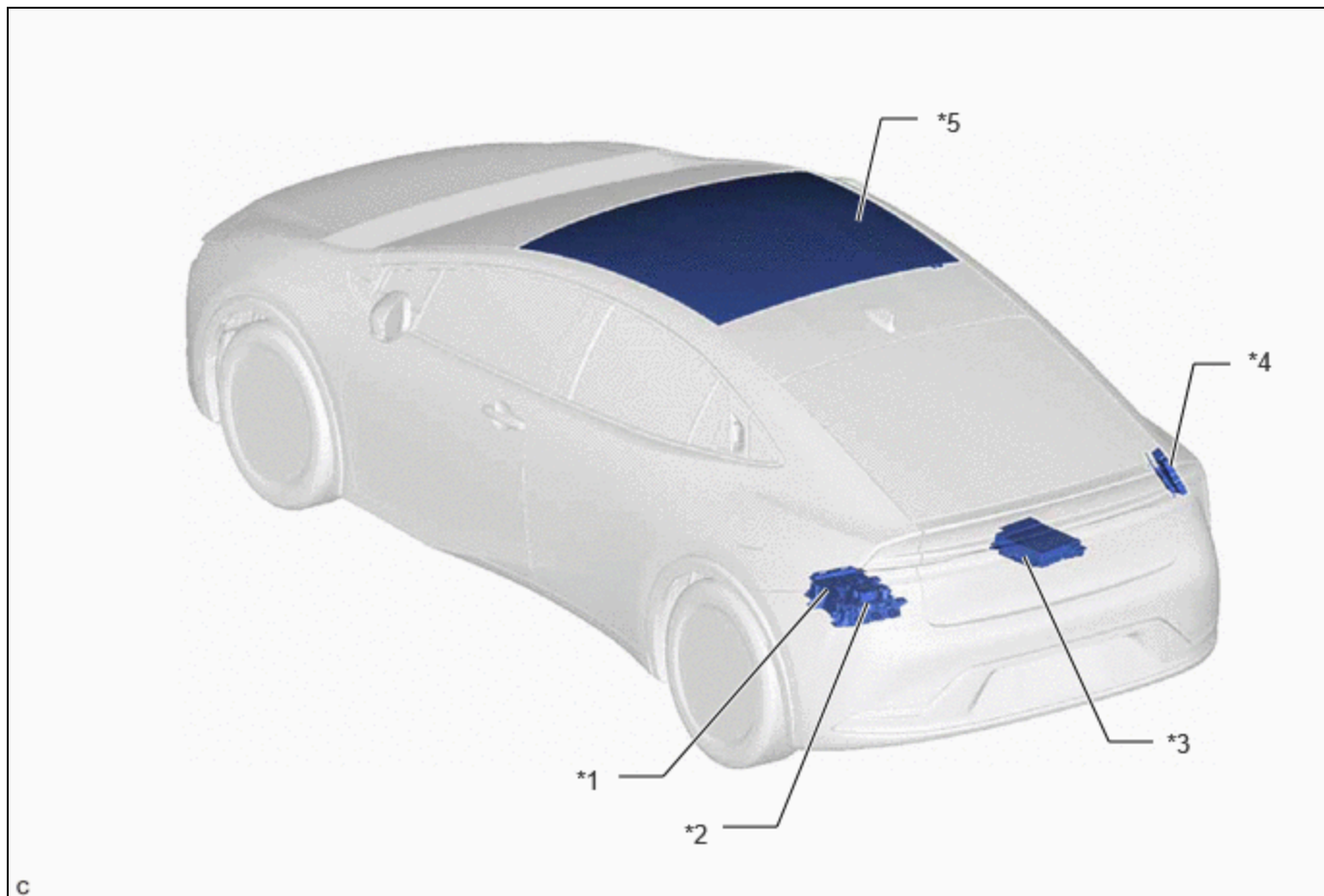


c

*1	INVERTER WITH CONVERTER ASSEMBLY	*2	LOW VOLTAGE CONNECTOR
*3	HV AIR CONDITIONING WIRE CONNECTION	*4	HV FLOOR UNDER WIRE (HV BATTERY) CONNECTION
*5	MOTOR CABLE CONNECTION	*6	INVERTER COVER - INTERLOCK
*7	MOTOR CABLE	*8	MOTOR TEMPERATURE SENSOR AND GENERATOR TEMPERATURE SENSOR CONNECTOR
*9	SHIFT CONTROL ACTUATOR ASSEMBLY - SHIFT ACTUATOR ECU	*10	HYBRID VEHICLE TRANSAXLE ASSEMBLY

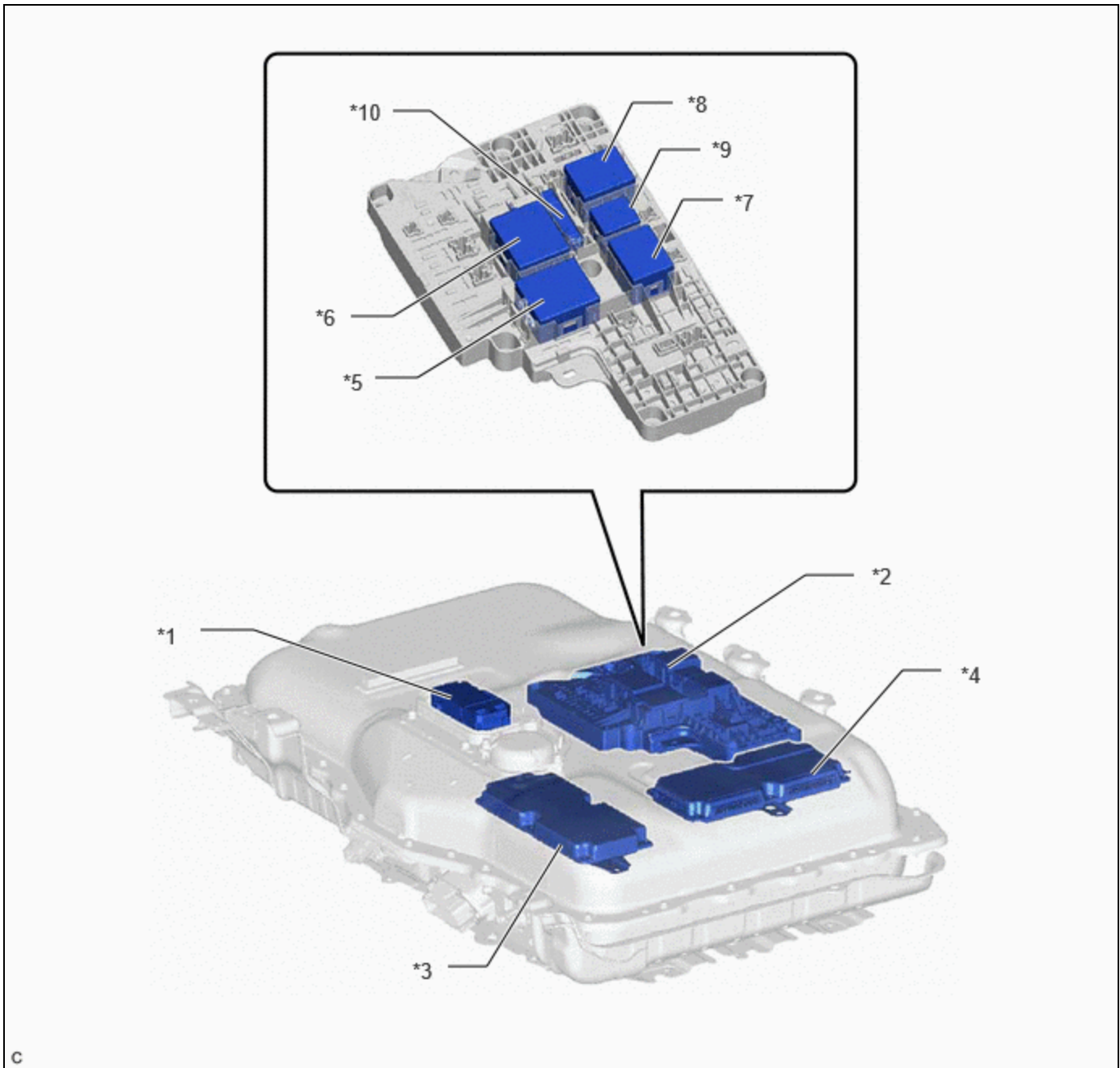
*11	MOTOR RESOLVER, GENERATOR RESOLVER AND TRANSAXLE FLUID TEMPERATURE SENSOR CONNECTOR	*12	LOW VOLTAGE CONNECTOR (DC/DC CONVERTER)
*13	AMD TERMINAL	-	-

ILLUSTRATION



*1	ELECTRIC VEHICLE CHARGER ASSEMBLY	*2	CHARGER COOLING BLOWER
*3	SOLAR ENERGY CONTROL ECU ASSEMBLY	*4	PLUGIN CHARGE CONTROL ECU ASSMBLY
*5	ROOF WINDOW GLASS	-	-

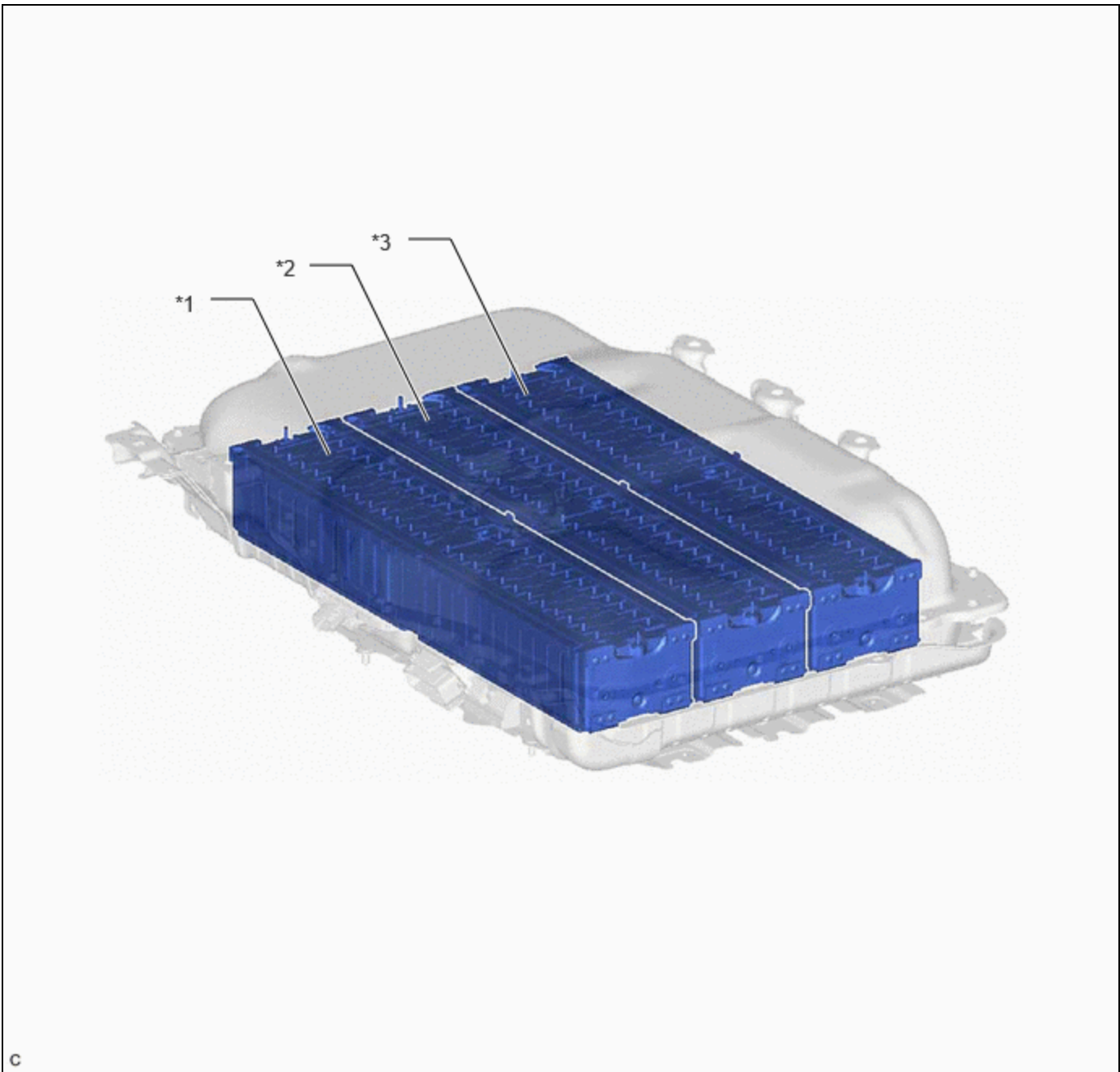
ILLUSTRATION



C

*1	SERVICE PLUG GRIP	*2	NO. 1 TRACTION BATTERY DEVICE BOX ASSEMBLY
*3	BATTERY ECU ASSEMBLY	*4	BATTERY VOLTAGE SENSOR
*5	SMRB	*6	SMRG
*7	CHRB	*8	CHRG
*9	CHRP	*10	PRECHARGE RESISTOR

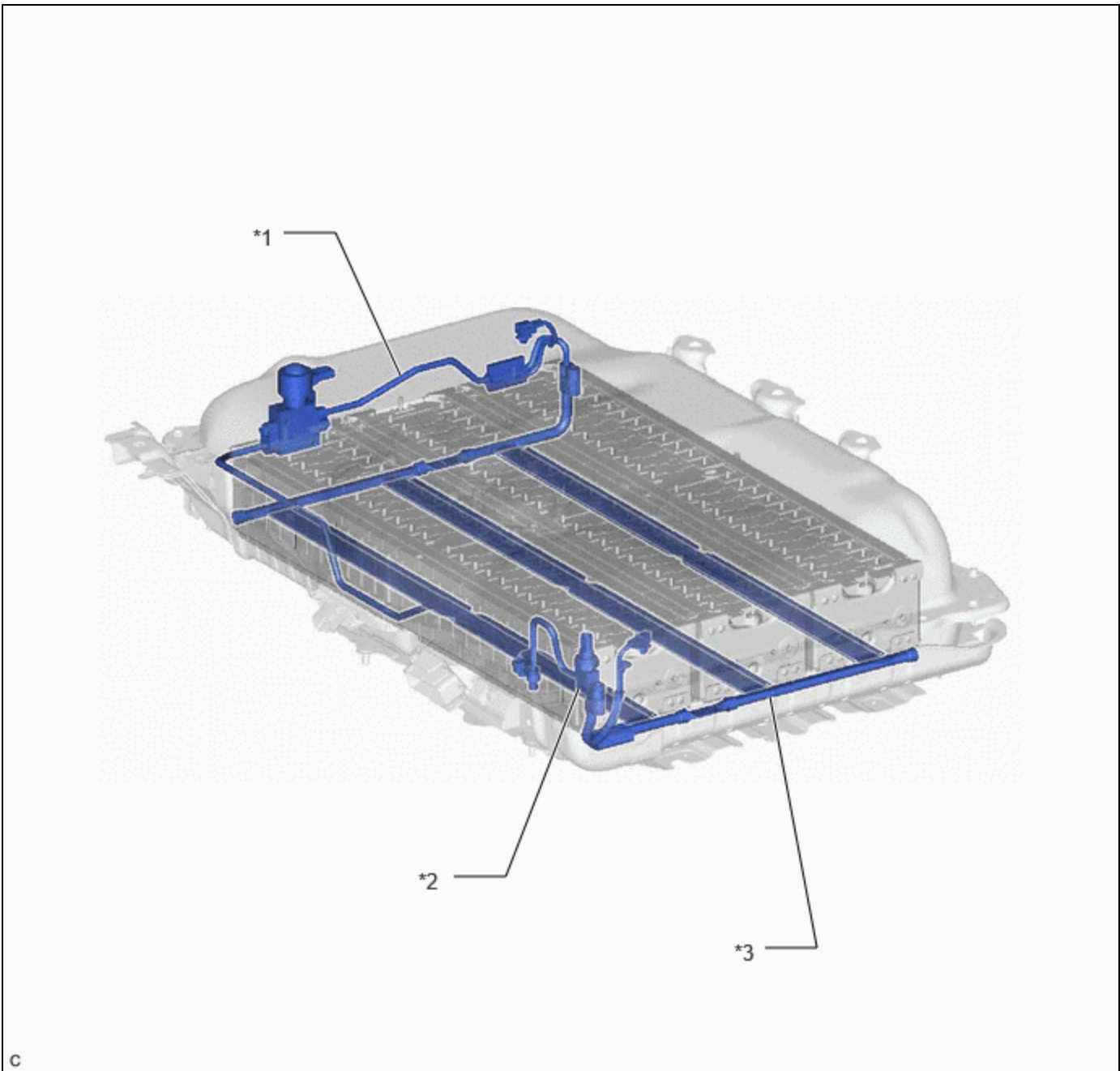
ILLUSTRATION



c

*1	NO. 1 HV SUPPLY STACK SUB-ASSEMBLY	*2	NO. 2 HV SUPPLY STACK SUB-ASSEMBLY
*3	NO. 3 HV SUPPLY STACK SUB-ASSEMBLY	-	-

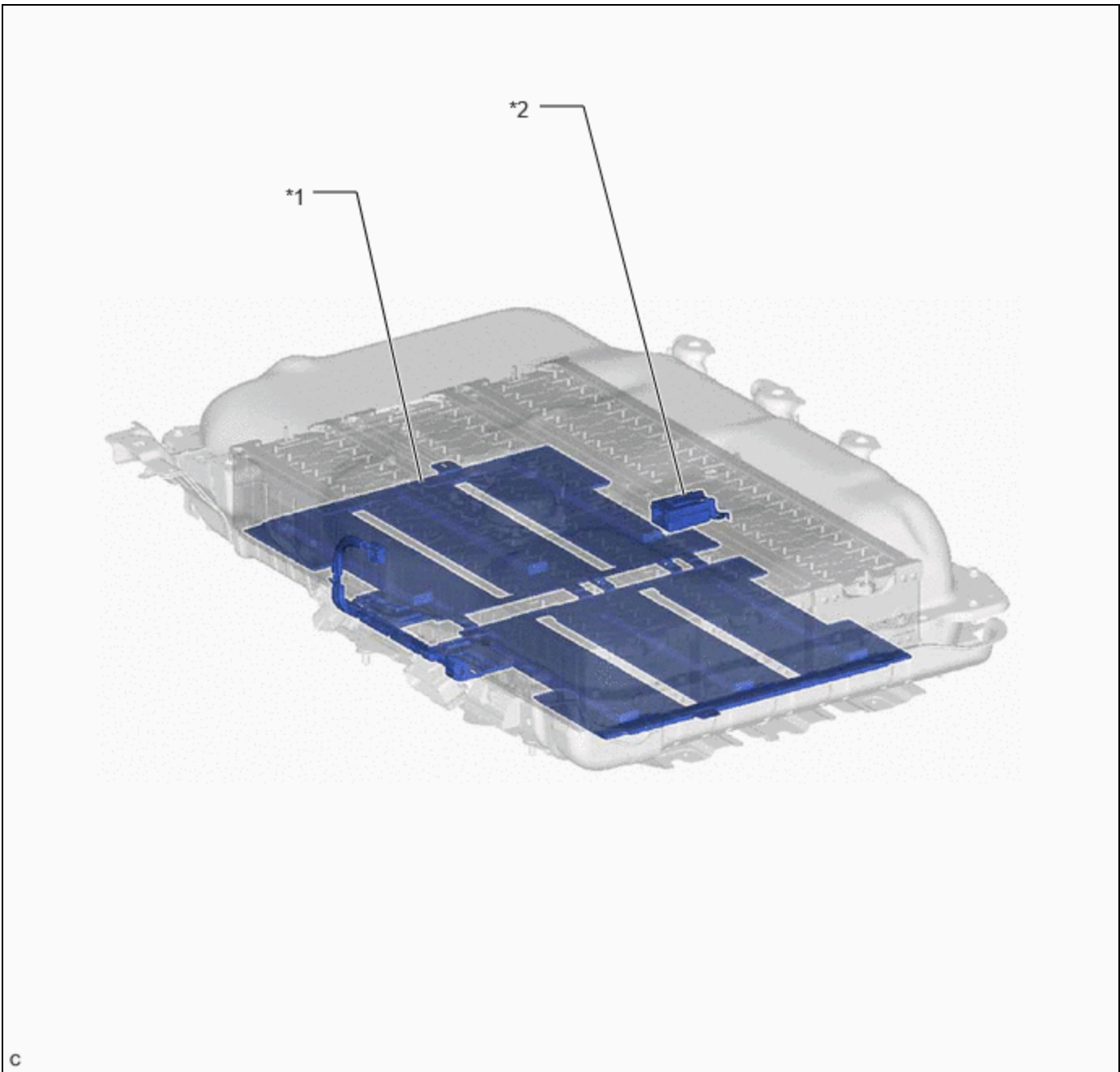
ILLUSTRATION



c

*1	NO. 1 TRACTION BATTERY COOLER TUBE - AIR CONDITIONING THERMISTOR - MAGNET VALVE	*2	NO. 2 TRACTION BATTERY COOLER TUBE - AIR CONDITIONING PRESSURE SENSOR
*3	NO. 1 TRACTION BATTERY COOLER CONDUCTOR - AIR CONDITIONING THERMISTOR	-	-

ILLUSTRATION



C

*1	NO. 1 TRACTION BATTERY HEATER	*2	NO. 1 TRACTION BATTERY HEATER RELAY
----	-------------------------------	----	-------------------------------------

