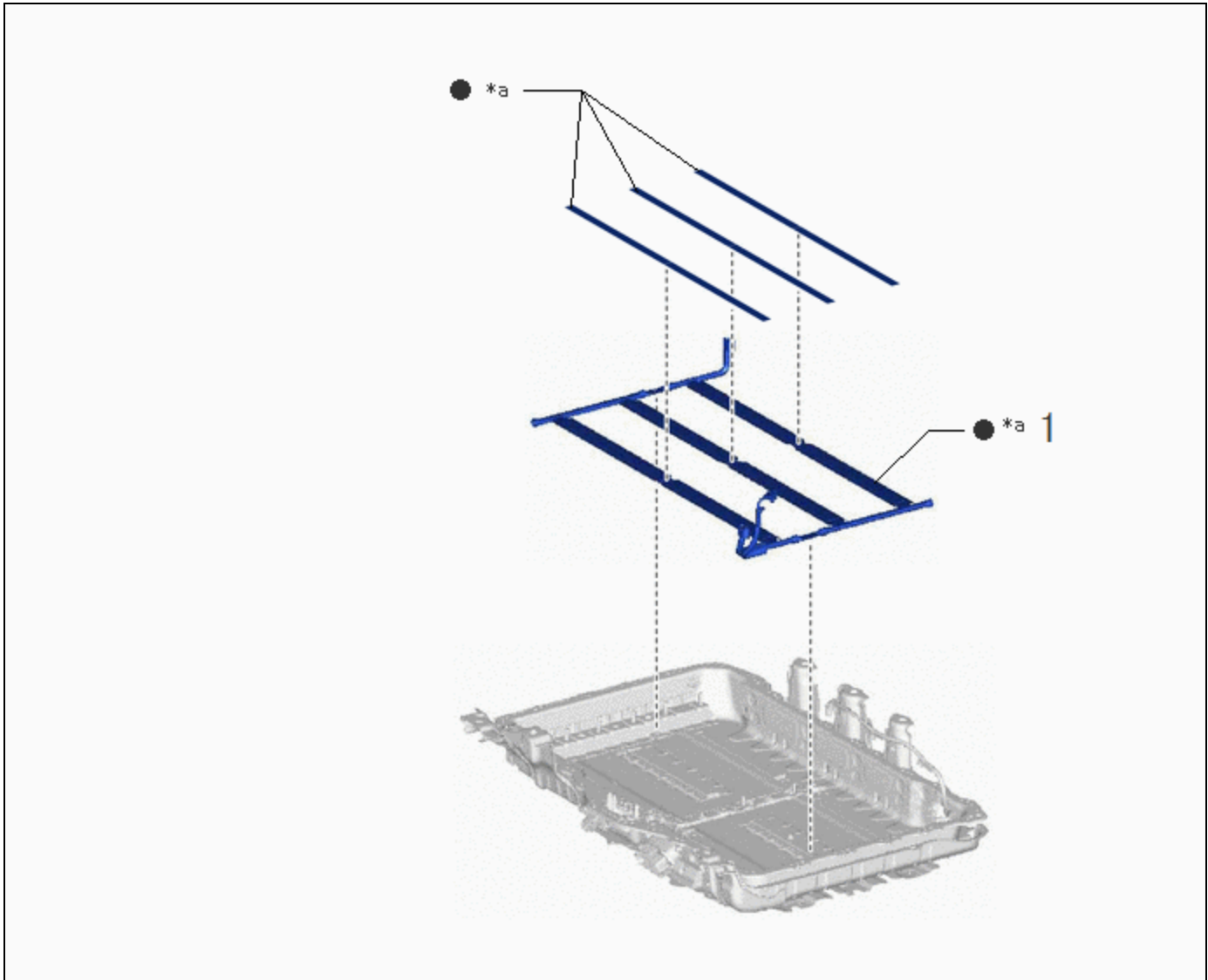


Last Modified: 12-04-2024	6.11:8.1.0	Doc ID: RM100000002B7BR
Model Year Start: 2023	Model: Prius Prime	Prod Date Range: [03/2023 -]
Title: HYBRID / BATTERY CONTROL: HV BATTERY STACK (for PHEV Model): INSTALLATION; 2023 - 2024 MY Prius Prime [03/2023 -]		

INSTALLATION

CAUTION / NOTICE / HINT

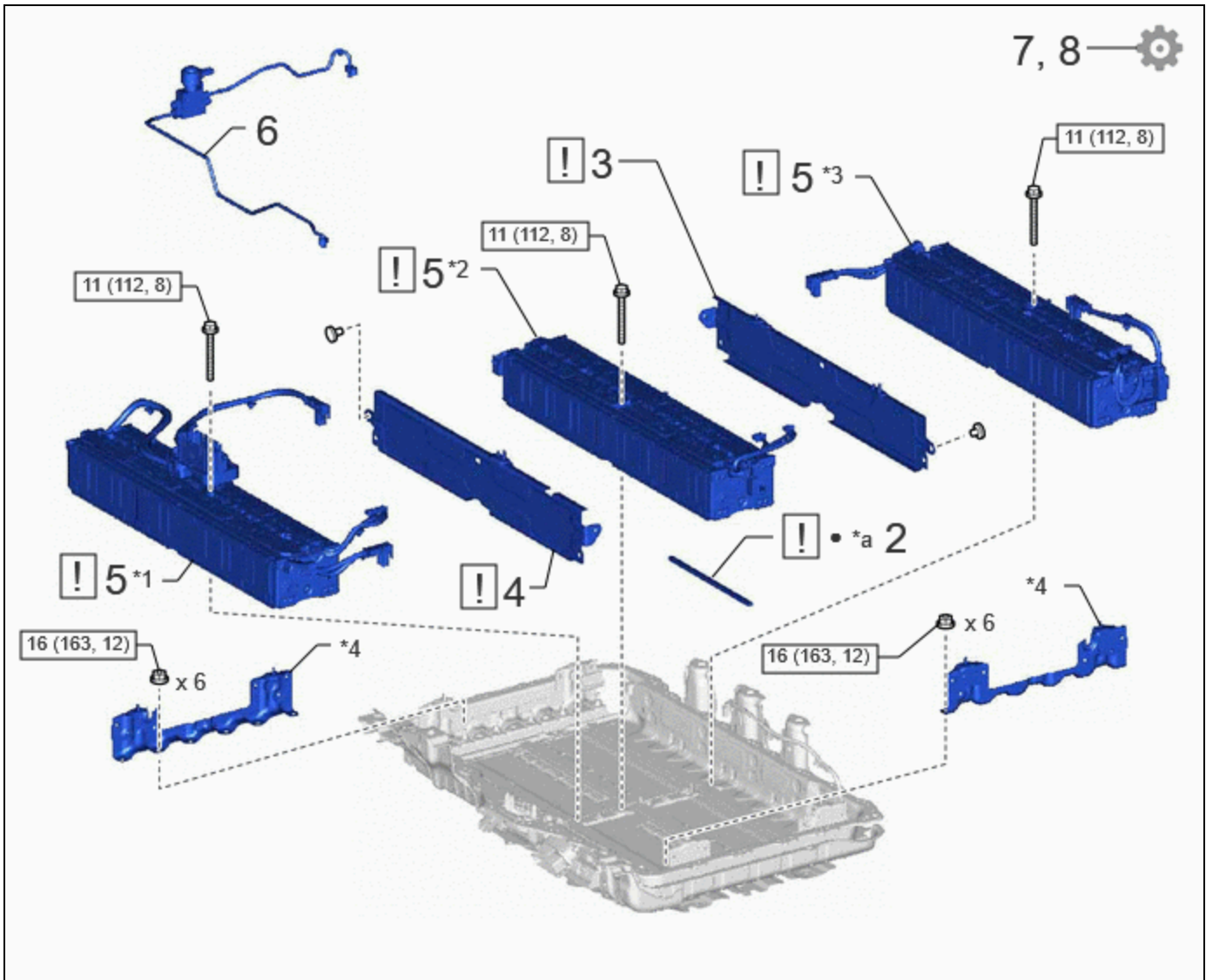
COMPONENTS (INSTALLATION)



PROCEDURE		PART NAME CODE			
1	NO. 1 TRACTION BATTERY COOLER CONDUCTOR	-	-	-	-



*a	Parts requiring replacement with new ones when replacing the HV supply stack sub-assembly	-	-
----	---	---	---

- Non-reusable part



PROCEDURE		PART NAME CODE	!	📄	⚙️
2	NO. 2 TRACTION BATTERY COOLER SHEET	-	INFO	-	-
3	NO. 18 TRACTION BATTERY BRACKET	G963J	INFO	-	-
4	NO. 17 TRACTION BATTERY BRACKET	G963H	INFO	-	-
5	HV SUPPLY STACK SUB-ASSEMBLY	-	INFO	-	-
6	NO. 1 TRACTION BATTERY COOLER TUBE	G96N1	-	-	-
7	INSPECT FOR REFRIGERANT LEAK	-	-	-	INFO
8	PERFORM UTILITY	-	-	-	INFO

*1	NO. 1 HV SUPPLY STACK SUB-ASSEMBLY	*2	NO. 2 HV SUPPLY STACK SUB-ASSEMBLY
*3	NO. 3 HV SUPPLY STACK SUB-ASSEMBLY	*4	NO. 16 TRACTION BATTERY BRACKET


	N*m (kgf*cm, ft.*lbf): Specified torque		Compressor oil ND-OIL 11 or equivalent
•	Non-reusable part	-	-

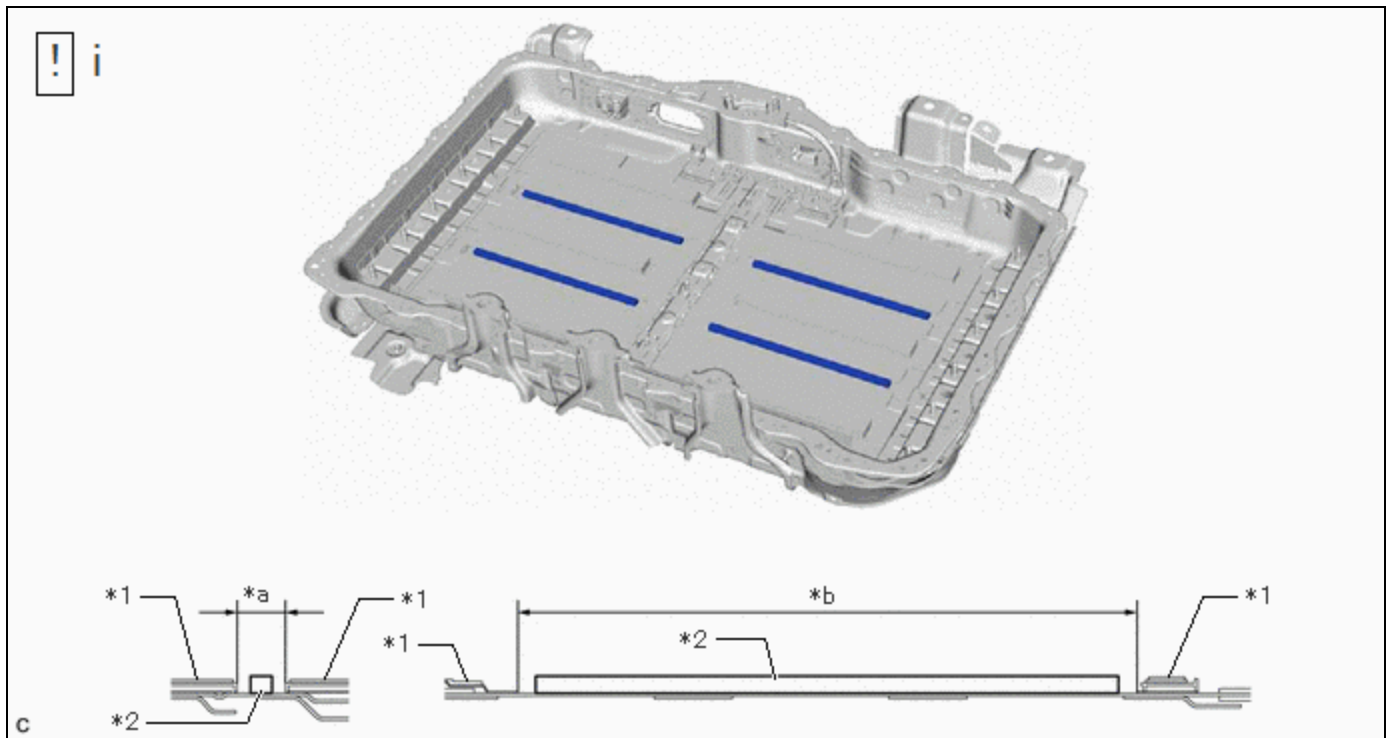
PROCEDURE

1. INSTALL NO. 1 TRACTION BATTERY COOLER CONDUCTOR

Click here [INFO](#)

2. INSTALL NO. 2 TRACTION BATTERY COOLER SHEET

	<p>NOTICE:</p> <p>The No. 2 traction battery cooler sheet cannot be reused after removing and installing No. 2 HV supply stack sub-assembly.</p>
---	---



*1	No. 1 Traction Battery Heater	*2	No. 2 Traction Battery Cooler Sheet
*a	23mm	*b	295.4mm

(1) Attach the new No. 2 traction battery cooler sheet in the position shown in the illustration.

3. INSTALL NO. 18 TRACTION BATTERY BRACKET

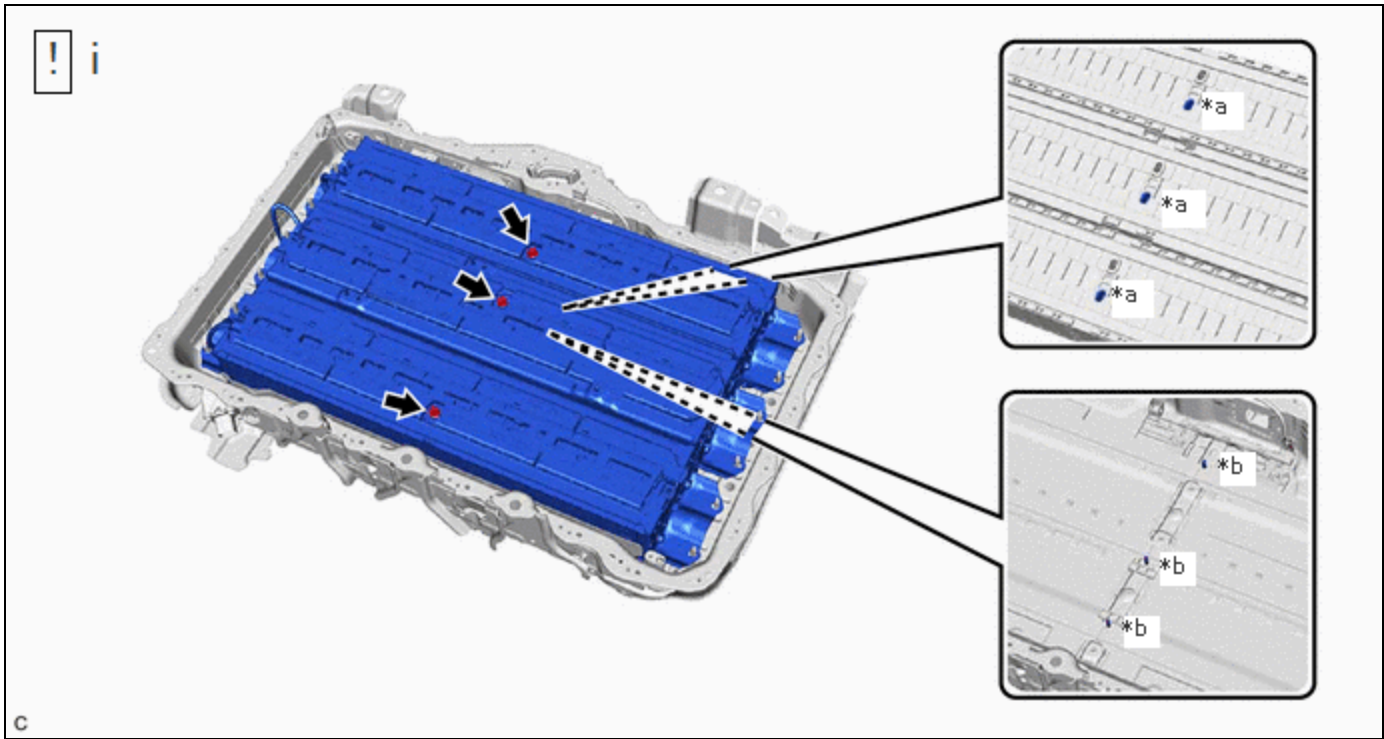
	<p>CAUTION:</p> <p>Be sure to wear insulated gloves and protective goggles.</p>
---	--

4. INSTALL NO. 17 TRACTION BATTERY BRACKET

	<p>CAUTION: Be sure to wear insulated gloves and protective goggles.</p>
---	---

5. INSTALL HV SUPPLY STACK SUB-ASSEMBLY

	<p>CAUTION: Be sure to wear insulated gloves and protective goggles.</p>
---	---



*a	Hole	*b	Pin
----	------	----	-----

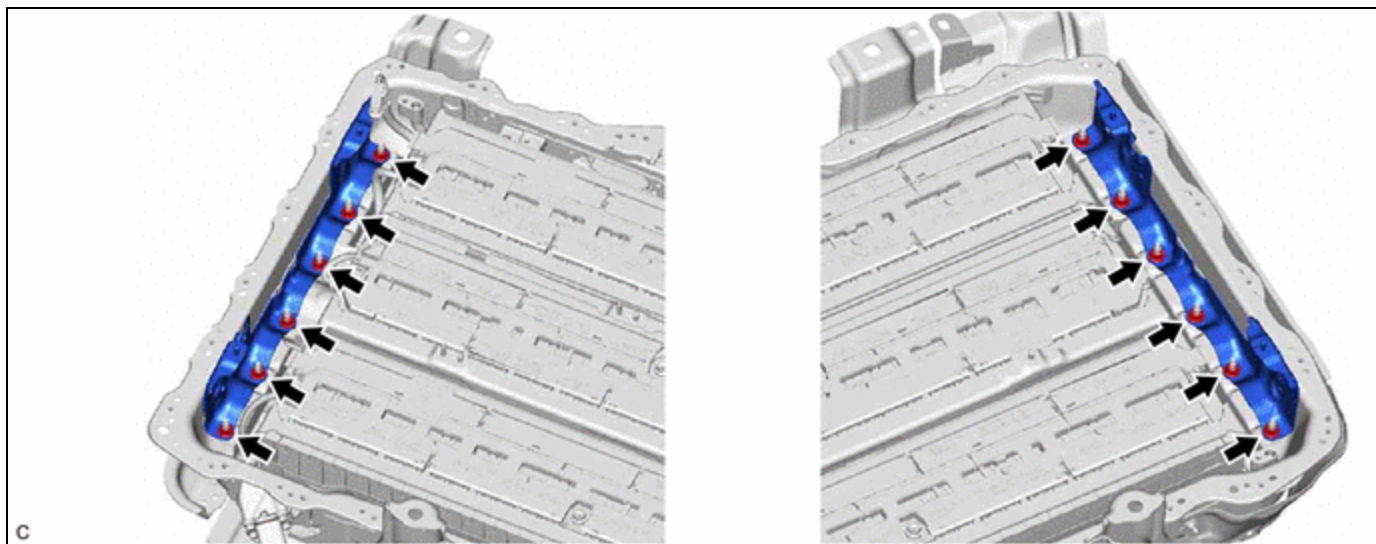
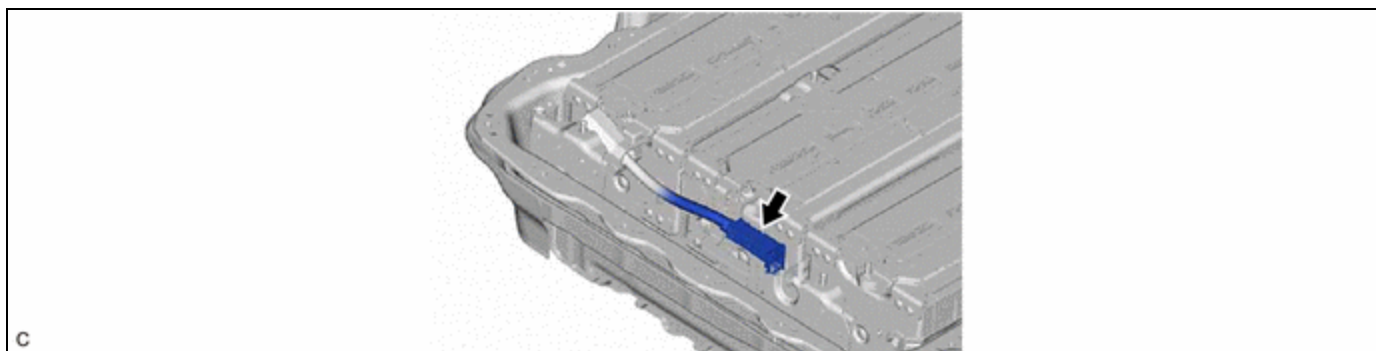
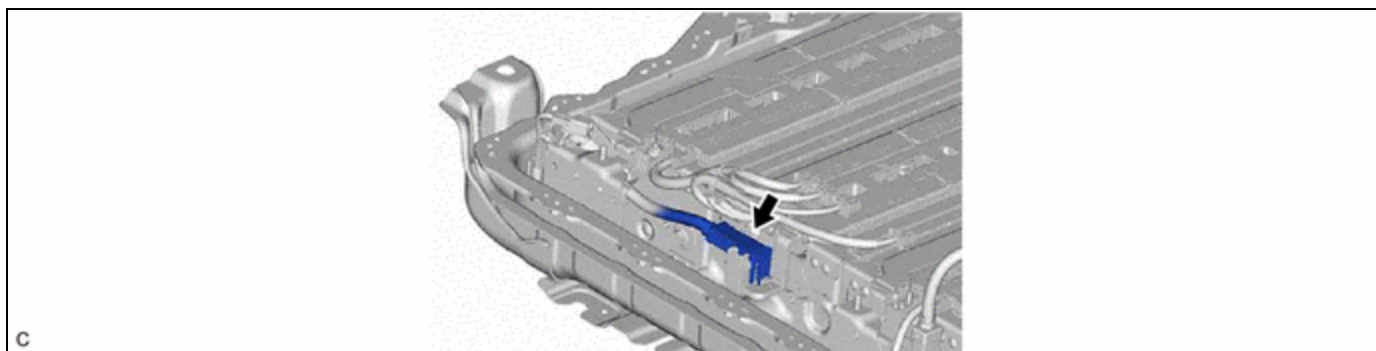
(1) Install the HV supply stack sub-assembly with the 3 bolts.

Torque:

11 N·m {112 kgf·cm, 8 ft·lbf}

NOTICE:

Make sure to align the hole of the HV supply stack sub-assembly with the pin.

**Torque:****16 N·m {163 kgf·cm, 12 ft·lbf}****6. INSTALL NO. 1 TRACTION BATTERY COOLER TUBE**Click here [INFO](#)**7. INSPECT FOR REFRIGERANT LEAK**Click here [INFO](#)**8. PERFORM UTILITY****NOTICE:**

- Perform "Battery Diagnosis" after replacing a malfunctioning HV supply stack sub-assembly.

Click here [INFO](#)

- Perform "Battery Status Info Update" after replacing a malfunctioning HV supply stack sub-assembly.



[Click here](#) **INFO**

