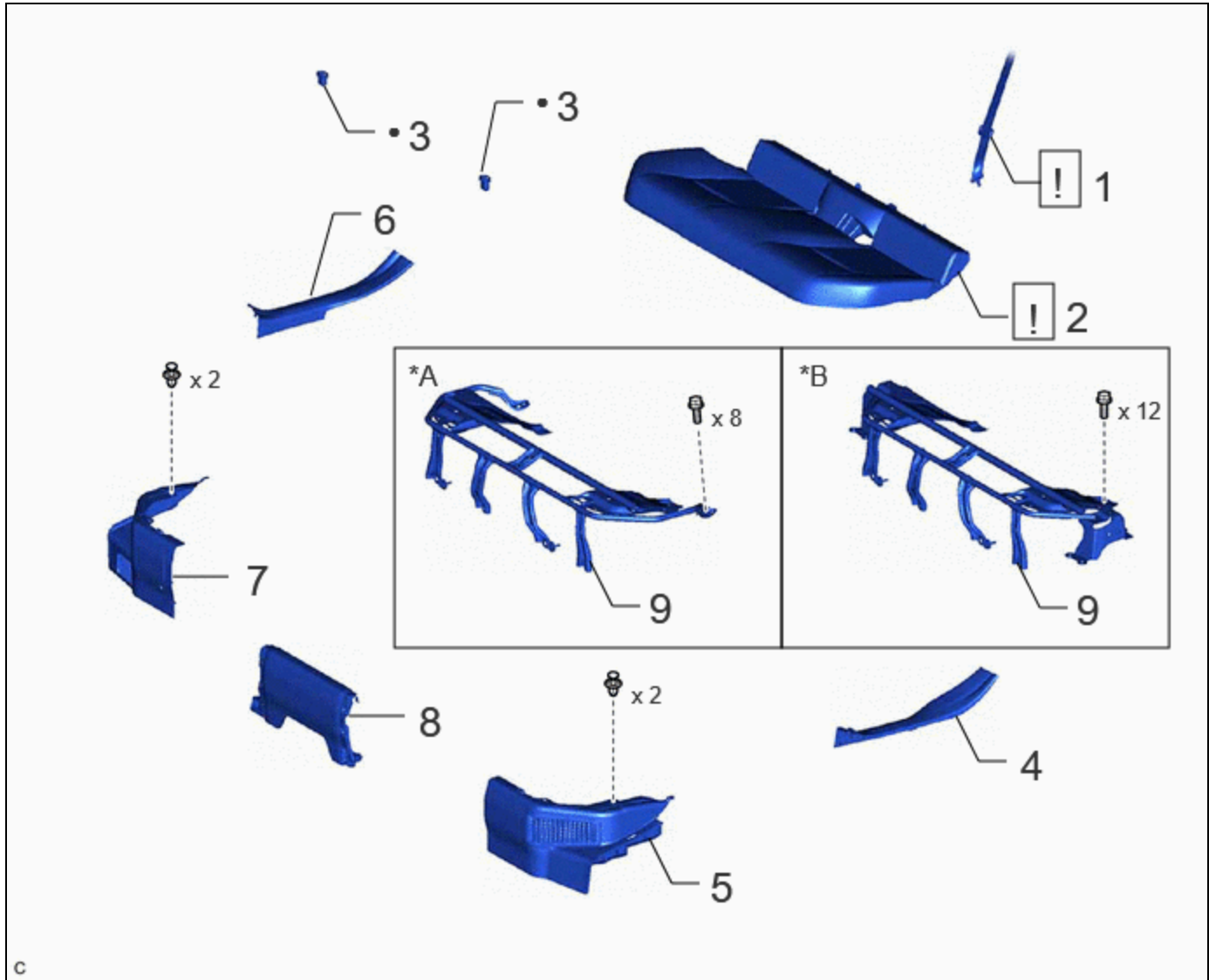


Last Modified: 12-04-2024	6.11:8.1.0	Doc ID: RM1000000029QXG
Model Year Start: 2023	Model: Prius	Prod Date Range: [12/2022 -]
Title: HYBRID / BATTERY CONTROL: BATTERY BLOWER (for HEV Model): REMOVAL; 2023 - 2024 MY Prius [12/2022 -]		




REMOVAL

CAUTION / NOTICE / HINT

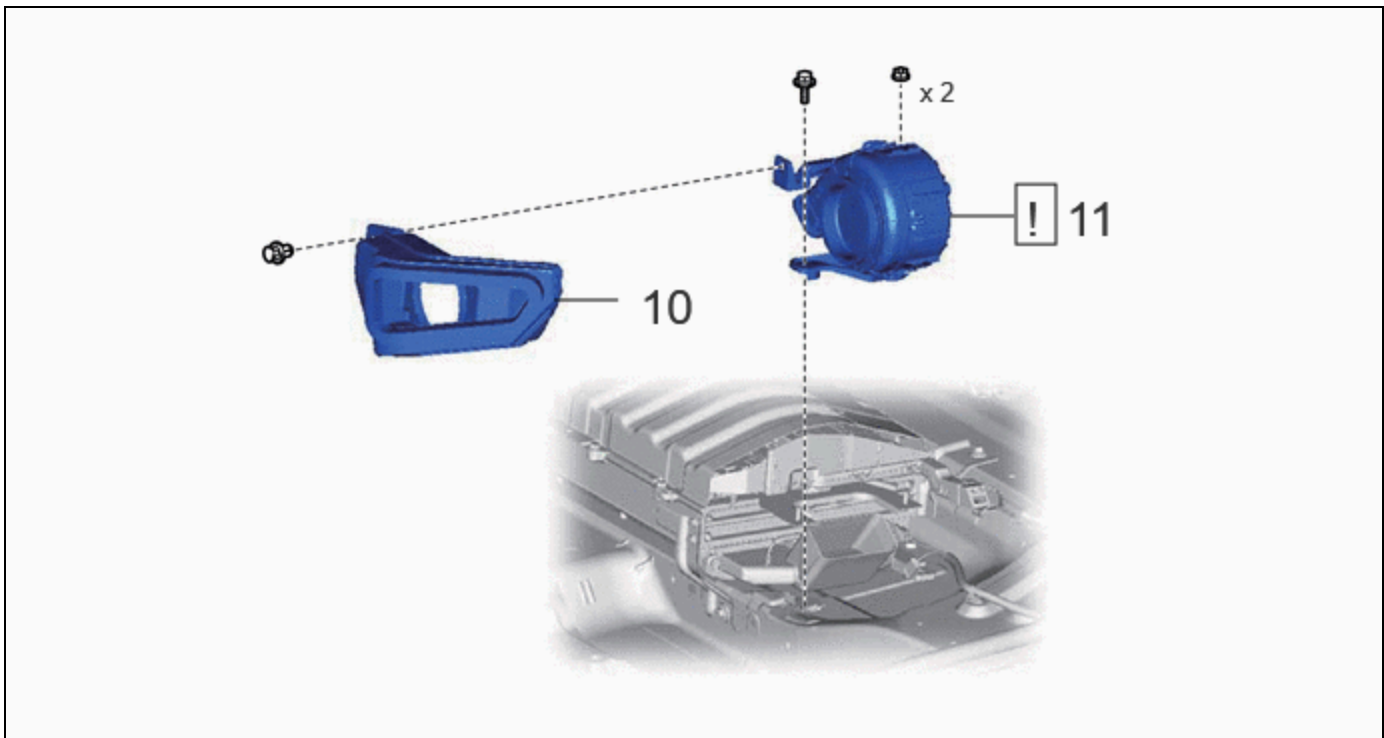
COMPONENTS (REMOVAL)






	PROCEDURE	PART NAME CODE			
1	REAR CENTER SEAT OUTER BELT ASSEMBLY	73350C	INFO	-	-
2	REAR SEAT CUSHION ASSEMBLY	-	INFO	-	-

	PROCEDURE	PART NAME CODE			
3	REAR SEAT CUSHION LOCK HOOK	72693	-	-	-
4	REAR DOOR SCUFF PLATE INSIDE LH	67918E	-	-	-
5	REAR UNDER SIDE COVER LH	76974E	-	-	-
6	REAR DOOR SCUFF PLATE INSIDE RH	67917F	-	-	-
7	REAR UNDER SIDE COVER RH	76973E	-	-	-
8	REAR UNDER COVER	76971F	-	-	-
9	REAR SEAT CUSHION LEG SUB-ASSEMBLY	71033	-	-	-

*A	for Type A	*B	for Type B
•	Non-reusable part	-	-



	PROCEDURE	PART NAME CODE			
10	NO. 1 EV BATTERY INTAKE DUCT	G92D1A	-	-	-
11	BATTERY COOLING BLOWER ASSEMBLY	G9230	INFO	-	-

PROCEDURE

1. DISCONNECT REAR CENTER SEAT OUTER BELT ASSEMBLY



Click here [INFO](#)

2. REMOVE REAR SEAT CUSHION ASSEMBLY



Click here [INFO](#)

3. REMOVE REAR SEAT CUSHION LOCK HOOK

Click here [INFO](#)

4. REMOVE REAR DOOR SCUFF PLATE INSIDE LH

Click here [INFO](#)

5. REMOVE REAR UNDER SIDE COVER LH

Click here [INFO](#)

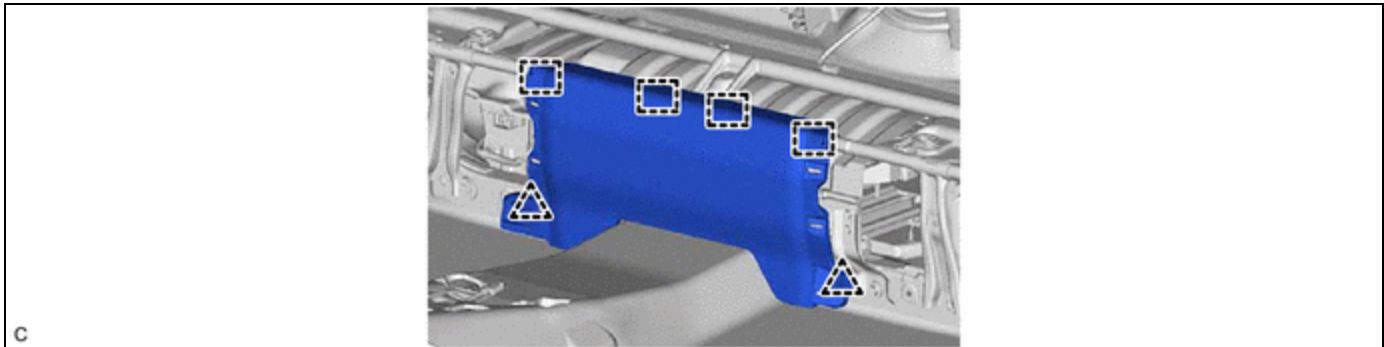
6. REMOVE REAR DOOR SCUFF PLATE INSIDE RH

(a) Use the same procedure as for the LH side.

7. REMOVE REAR UNDER SIDE COVER RH

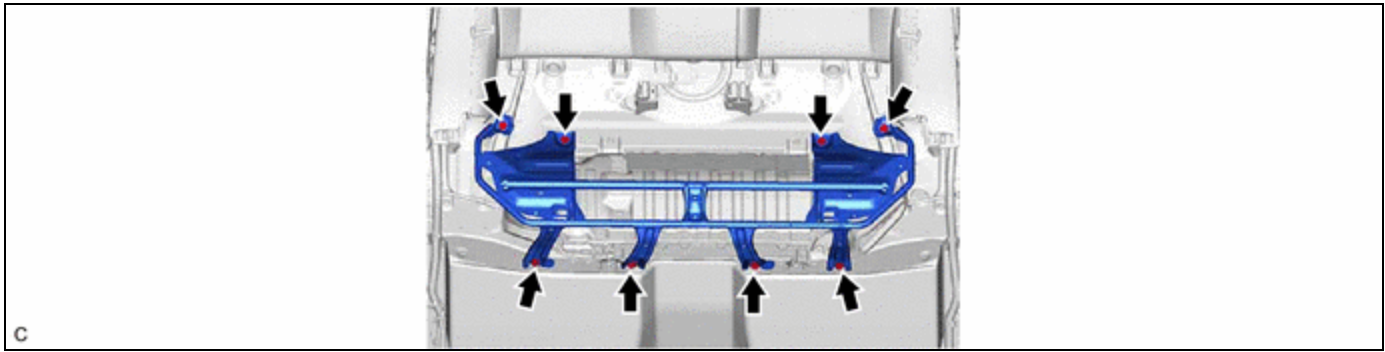
(a) Use the same procedure as for the LH side.

8. REMOVE REAR UNDER COVER

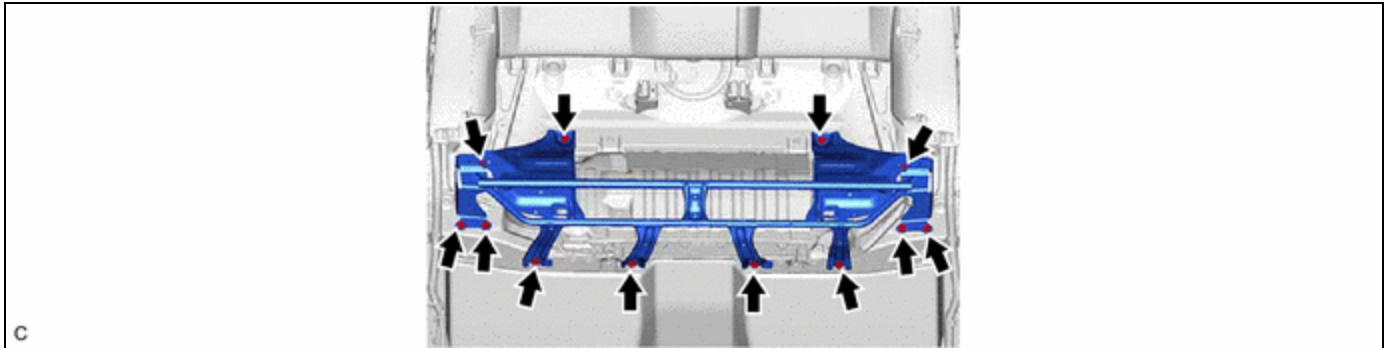


9. REMOVE REAR SEAT CUSHION LEG SUB-ASSEMBLY

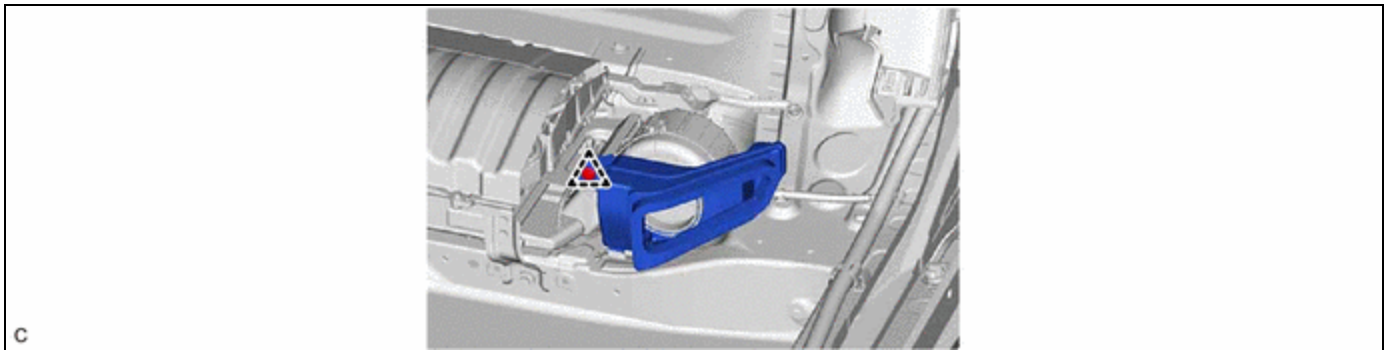
(a) for Type A:



(b) for Type B:



10. REMOVE NO. 1 EV BATTERY INTAKE DUCT

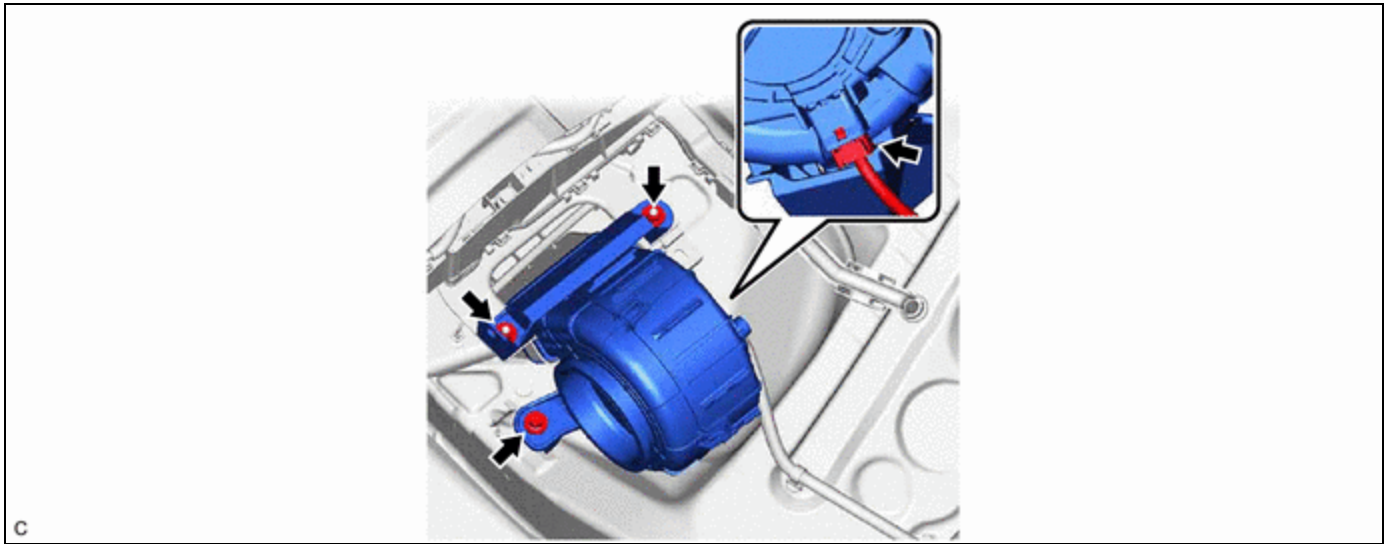


11. REMOVE BATTERY COOLING BLOWER ASSEMBLY



NOTICE:

- Be sure not to touch the fan part of the battery cooling blower assembly.
- Do not lift the battery cooling blower assembly using the wire harness.



c

