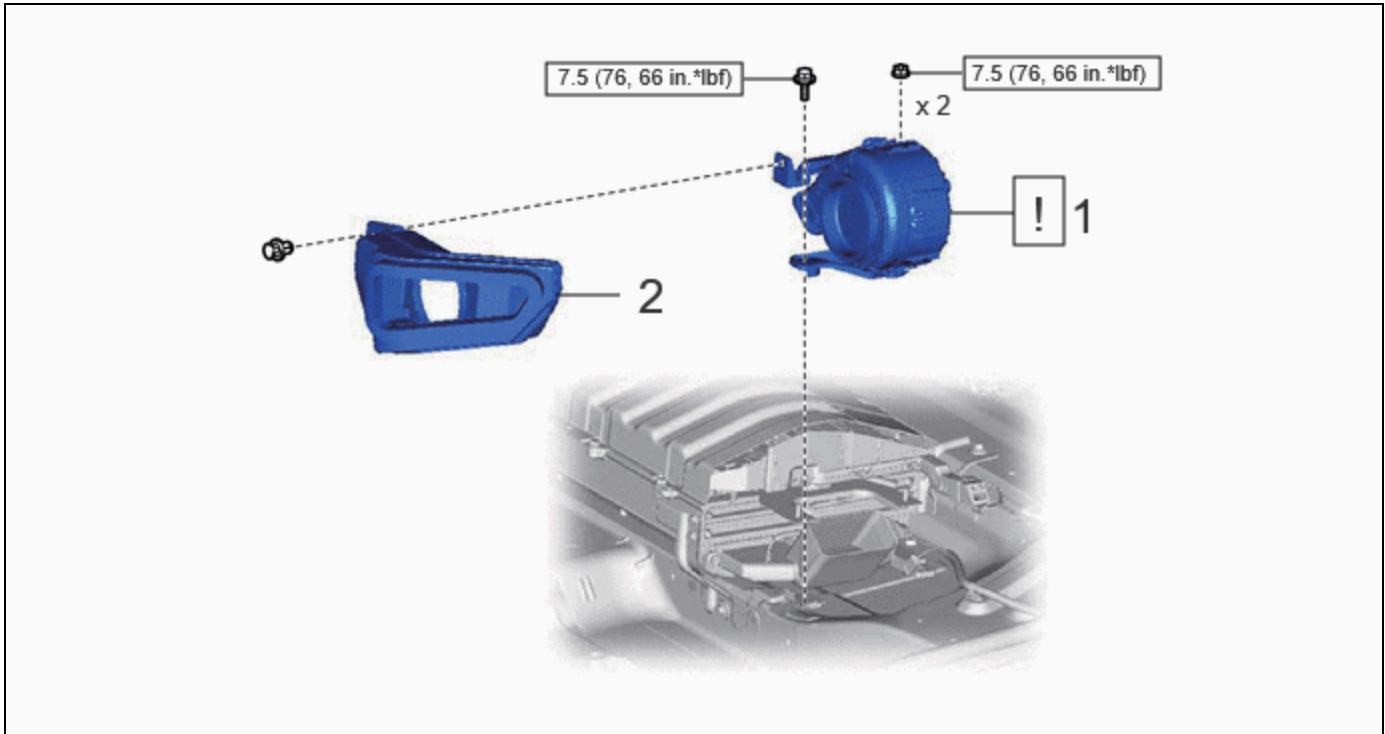


Last Modified: 12-04-2024	6.11:8.1.0	Doc ID: RM1000000029QXH
Model Year Start: 2023	Model: Prius	Prod Date Range: [12/2022 -]
Title: HYBRID / BATTERY CONTROL: BATTERY BLOWER (for HEV Model): INSTALLATION; 2023 - 2024 MY Prius [12/2022 -]		

INSTALLATION

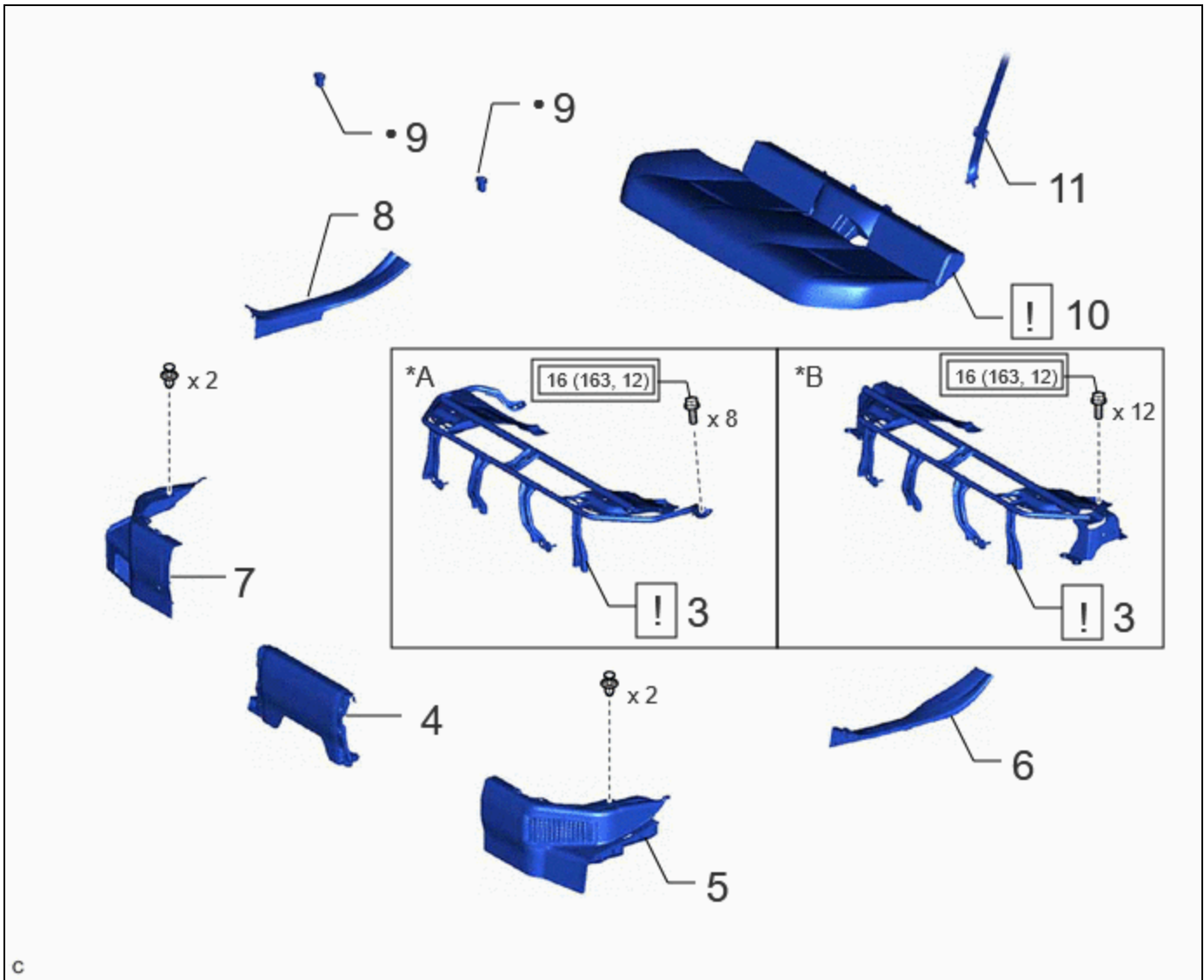
CAUTION / NOTICE / HINT

COMPONENTS (INSTALLATION)




PROCEDURE		PART NAME CODE			
1	BATTERY COOLING BLOWER ASSEMBLY	G9230	INFO	-	-
2	NO. 1 EV BATTERY INTAKE DUCT	G92D1A	-	-	-

	N*m (kgf*cm, ft.*lbf): Specified torque	-	-
--	---	---	---




PROCEDURE		PART NAME CODE			
3	REAR SEAT CUSHION LEG SUB-ASSEMBLY	71033	INFO	-	-
4	REAR UNDER COVER	76971F	-	-	-
5	REAR UNDER SIDE COVER LH	76974E	-	-	-
6	REAR DOOR SCUFF PLATE INSIDE LH	67918F	-	-	-
7	REAR UNDER SIDE COVER RH	76973E	-	-	-
8	REAR DOOR SCUFF PLATE INSIDE RH	67917F	-	-	-
9	REAR SEAT CUSHION LOCK HOOK	72693	-	-	-
10	REAR SEAT CUSHION ASSEMBLY	-	INFO	-	-
11	REAR CENTER SEAT OUTER BELT ASSEMBLY	73350C	-	-	-

*A	for Type A	*B	for Type B
----	------------	----	------------

	<p>Tightening torque for "Major areas involving basic vehicle performance such as moving/turning/stopping" : N*m (kgf*cm, ft.*lbf)</p>	<ul style="list-style-type: none"> • Non-reusable part
---	--	---

PROCEDURE

1. INSTALL BATTERY COOLING BLOWER ASSEMBLY

	<p>NOTICE:</p> <ul style="list-style-type: none"> • Be sure not to touch the fan part of the battery cooling blower assembly. • Do not lift the battery cooling blower assembly using the wire harness.
---	--

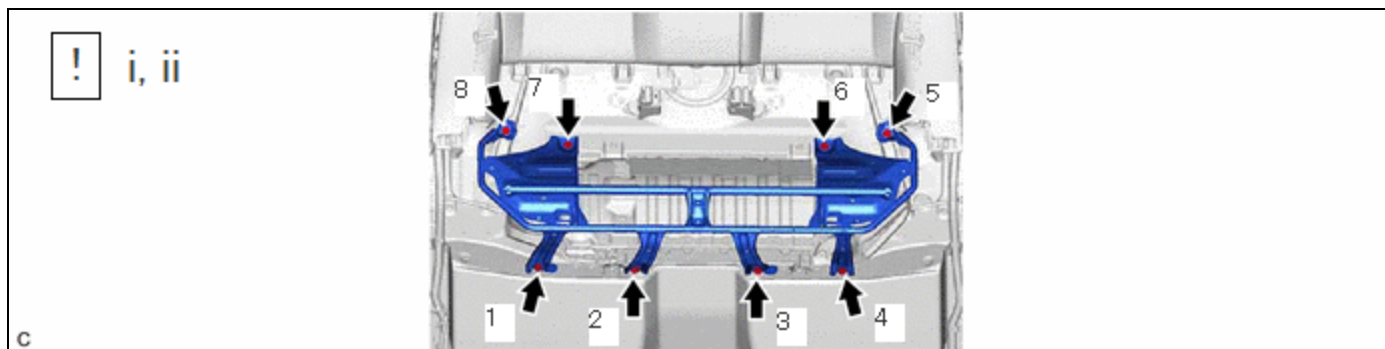
Torque:

7.5 N·m {76 kgf·cm, 66 in·lbf}

2. INSTALL NO. 1 EV BATTERY INTAKE DUCT

3. INSTALL REAR SEAT CUSHION LEG SUB-ASSEMBLY

(a) for Type A:



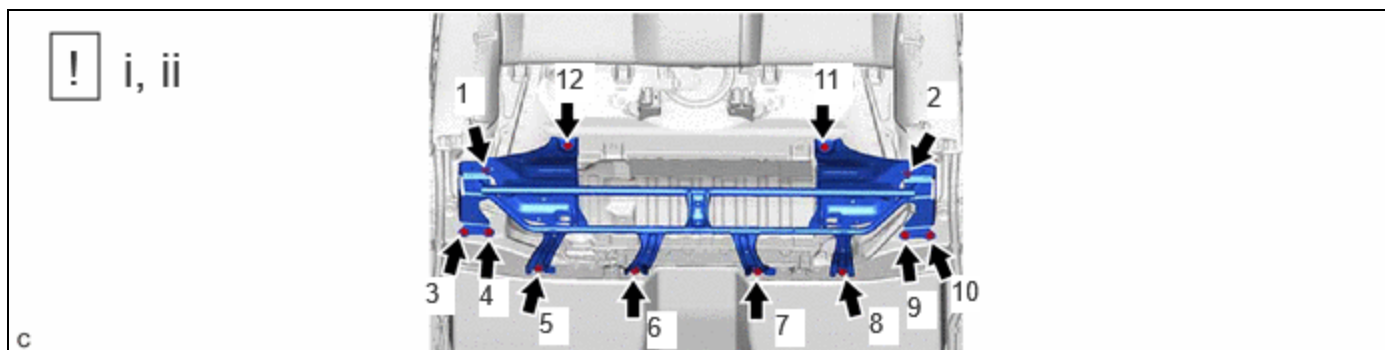
(1) Temporarily install the rear seat cushion leg sub-assembly with the 8 bolts.

(2) Fully tighten the 8 bolts in the order shown in the illustration.

Torque:

16 N·m {163 kgf·cm, 12 ft·lbf}

(b) for Type B:



(1) Temporarily install the rear seat cushion leg sub-assembly with the 12 bolts.

(2) Fully tighten the 12 bolts in the order shown in the illustration.

Torque:

16 N·m {163 kgf·cm, 12 ft·lbf}

4. INSTALL REAR UNDER COVER

5. INSTALL REAR UNDER SIDE COVER LH

6. INSTALL REAR DOOR SCUFF PLATE INSIDE LH

7. INSTALL REAR UNDER SIDE COVER RH

8. INSTALL REAR DOOR SCUFF PLATE INSIDE RH

9. INSTALL REAR SEAT CUSHION LOCK HOOK

10. INSTALL REAR SEAT CUSHION ASSEMBLY



Click here [INFO](#)

11. CONNECT REAR CENTER SEAT OUTER BELT ASSEMBLY

