

<b>Last Modified:</b> 12-04-2024	6.11:8.1.0	<b>Doc ID:</b> RM100000002B7BN
<b>Model Year Start:</b> 2023	<b>Model:</b> Prius Prime	<b>Prod Date Range:</b> [03/2023 - ]
<b>Title:</b> HYBRID / BATTERY CONTROL: HV BATTERY HEATER (for PHEV Model): REMOVAL; 2023 - 2024 MY Prius Prime [03/2023 - ]		

## REMOVAL

### CAUTION / NOTICE / HINT

The necessary procedures (adjustment, calibration, initialization or registration) that must be performed after parts are removed and installed, or replaced during No. 1 traction battery heater removal/installation are shown below.

#### **CAUTION:**

- Orange wire harnesses and connectors indicate high-voltage circuits. To prevent electric shock, always follow



the procedure described in the repair manual.

[Click here](#) 

- To prevent electric shock, wear insulated gloves when working on wire harnesses and components of the high



voltage system.

**NOTICE:**

After turning the ignition switch off, waiting time may be required before disconnecting the cable from the negative (-) auxiliary battery terminal.

Click here [INFO](#)

**HINT:**

When the cable is disconnected / reconnected to the auxiliary battery terminal, systems temporarily stop operating. However, each system has a function that completes learning the first time the system is used.

**Items for which learning is completed by driving the vehicle**

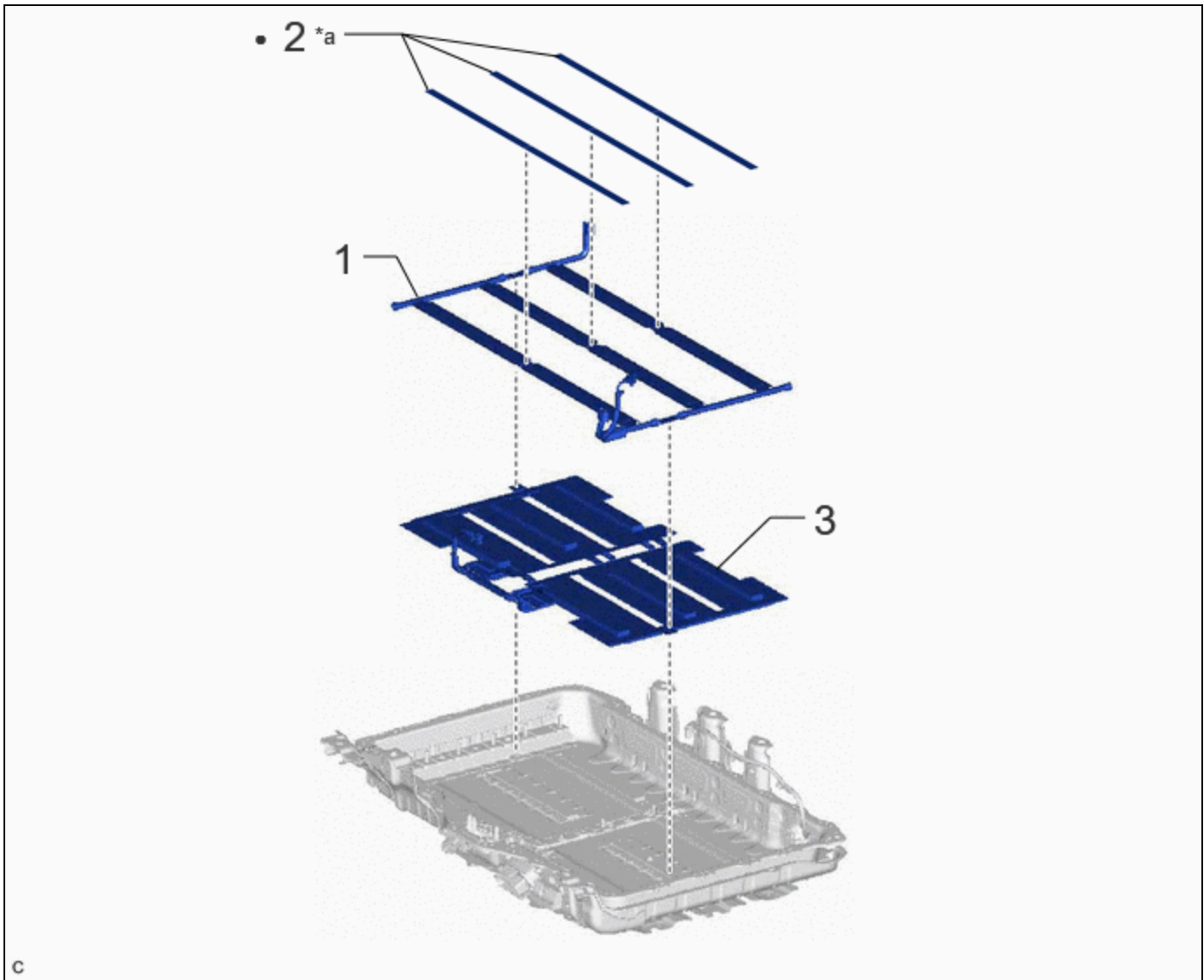
EFFECT/INOPERATIVE FUNCTION WHEN NECESSARY PROCEDURE NOT PERFORMED	NECESSARY PROCEDURE	LINK
Front Camera System	Drive the vehicle straight ahead at 35 km/h (22 mph) or more for 5 seconds or more.	<a href="#">INFO</a>

**Items for which learning is completed by operating the vehicle normally**

EFFECT/INOPERATIVE FUNCTION WHEN NECESSARY PROCEDURE NOT PERFORMED	NECESSARY PROCEDURE	LINK
Power Door Lock Control System*1 <ul style="list-style-type: none"> <li>Back door opener</li> </ul>	Perform door unlock operation with door control switch or electrical key transmitter sub-assembly switch.	<a href="#">INFO</a>
Power Back Door System*2	Reset back door close position	<a href="#">INFO</a>
Air Conditioning System	After the ignition switch is turned to ON, the servo motor and expansion valve standard position is recognized.	-
*1: w/o Power Back Door System		
*2: w/ Power Back Door System		

**CAUTION / NOTICE / HINT**

**COMPONENTS (REMOVAL)**



PROCEDURE		PART NAME CODE			
1	NO. 1 TRACTION BATTERY COOLER CONDUCTOR	-	-	-	-
2	NO. 1 TRACTION BATTERY COOLER SHEET	G96NA	-	-	-
3	NO. 1 TRACTION BATTERY HEATER	04G9H	-	-	-

*a	Parts requiring replacement with new ones when replacing the No. 1 traction battery heater and No. 1 traction battery heater	-	-
•	Non-reusable part	-	-

## PROCEDURE

### 1. REMOVE NO. 1 TRACTION BATTERY COOLER CONDUCTOR

Click here [INFO](#)

### 2. REMOVE NO. 1 TRACTION BATTERY COOLER SHEET

Click here [INFO](#)

### 3. REMOVE NO. 1 TRACTION BATTERY HEATER

