

Last Modified: 12-04-2024	6.11:8.1.0	Doc ID: RM1000000029QWU
Model Year Start: 2023	Model: Prius	Prod Date Range: [12/2022 -]
Title: HYBRID / BATTERY CONTROL: HV BATTERY (for HEV Model): DISCHARGING; 2023 - 2024 MY Prius [12/2022 -]		

DISCHARGING

PROCEDURE

1. DISCHARGING (WHEN USING THE SALT WATER SOLUTION)

CAUTION:

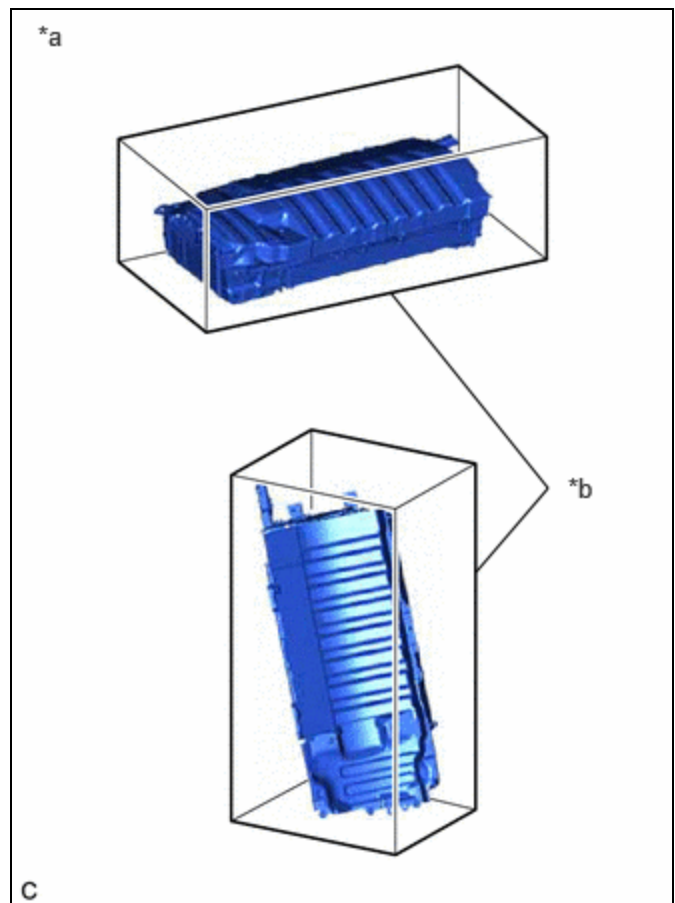
Be sure to wear insulated gloves and protective goggles.

NOTICE:

- When discharging using salt water solution, first add a measured amount of water to the container, and then add the concentrated salt water solution.
- Calculate the salt water concentration based on the measured volume of water in the container so that a 1% salt water solution will be made after adding the concentrated salt water solution to the water in the container where HV battery is set.

(a) Prepare HV battery

(1) Set the HV battery in the container (A).



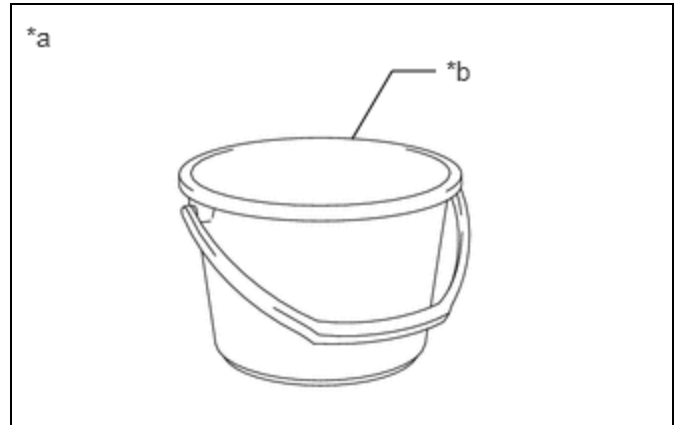
*a	Example
*b	Container A

(b) Prepare to discharge (Add water to container)

(1) Measure the water capacity of the container (B).

HINT:

Water capacity of the container (B) is assumed as X (liter).

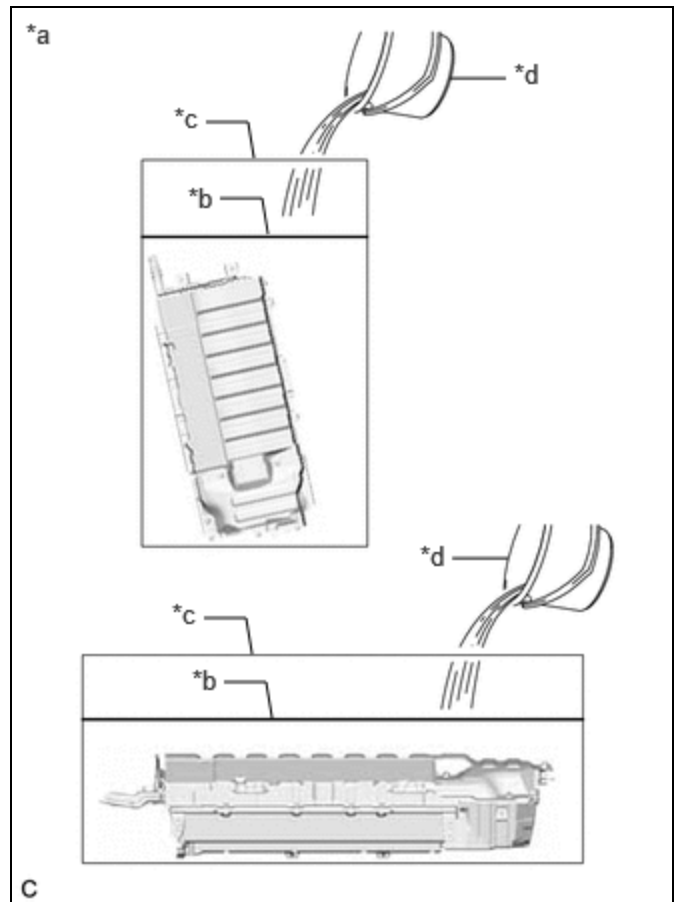


*a	Example
*b	Container B

(2) Using the container (B), add water to the container (A) until the HV battery is completely submerged.

NOTICE:

Make sure to record the times the container (B) was filled with water to add water to the container (A).



*a	Example
*b	Water Surface
*c	Container A
*d	Container B

(3) Using the following formula, calculate the amount of water added to the container (A).

Amount of water added to the container (A):

$Y \text{ (liter)} = \text{Water capacity of the container (B)} \times \text{Number of times the container (B) was filled with water to submerge the HV battery}$

HINT:

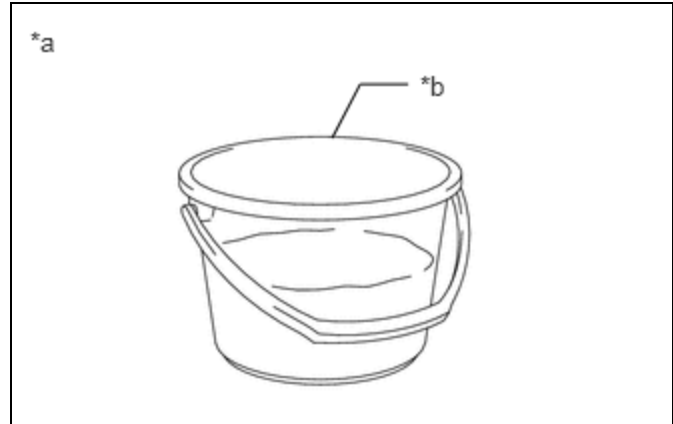
Amount of water added to the container (A) is assumed as Y (liter).

(c) Prepare salt water solution

(1) While measuring the amount of water, fill about half of the container (B) with water.

HINT:

Amount of water added to the container (B) is assumed as Z (liter).



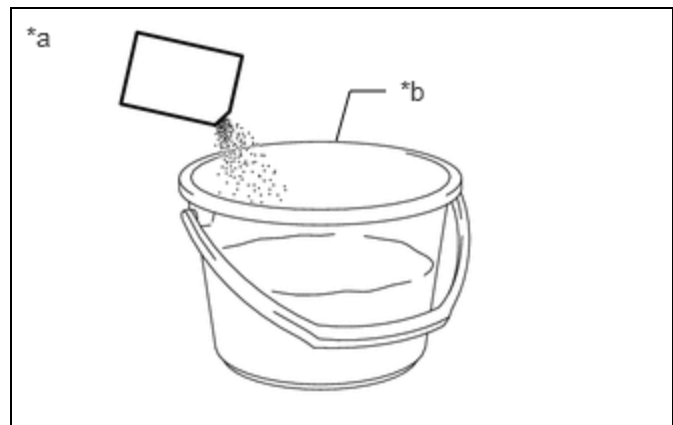
*a	Example
*b	Container B

(2) Calculate the amount of salt to be added to the container (A) so that a 1% salt water solution will be made.

Amount of Salt:

$\text{Amount of salt (kg)} = (Y \text{ (liter)} + Z \text{ (liter)}) \times 0.01$

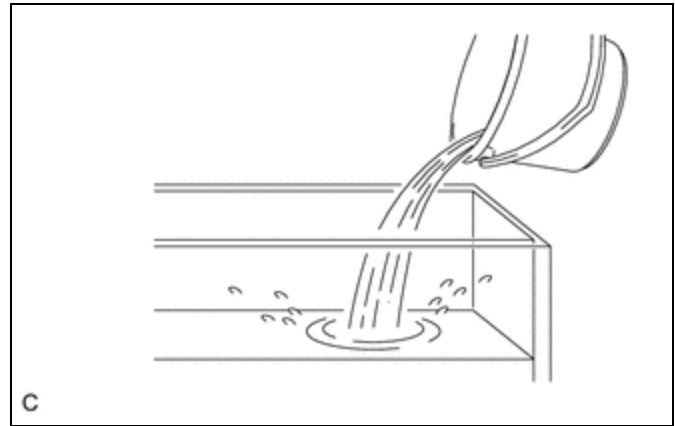
(3) Add the calculated amount of salt to the container (B) and stir it thoroughly.



*a	Example
*b	Container B

(d) Add salt water solution

- (1) Add the concentrated salt water solution to the container (A).



- (e) Discharge

- (1) Leave the HV battery as is for 24 hours or more until discharge is complete.

CAUTION:

- Do not place a lid on the container.
- Make sure to leave the HV battery and container as is for 24 hours or more.
- Display a warning sign to inform others that discharge is being performed.

- (f) Confirm discharge completion

- (1) Check that bubbles are not forming in the container.

NOTICE:

If bubbles are forming, discharge may not be completed yet. Do not place a lid on the container.

- (g) Display a warning sign such as "DO NOT TOUCH! (DISCHARGE BEING PERFORMED)" to inform others. Make a copy of the warning sign and place it near the HV battery being discharged.

DO NOT TOUCH!
 (DISCHARGE BEING PERFORMED)

Discharge start date:

Scheduled discharge completion date:

Person in charge:

DO NOT TOUCH!
 (DISCHARGE BEING PERFORMED)

Discharge start date:

Scheduled discharge completion date:

Person in charge:

