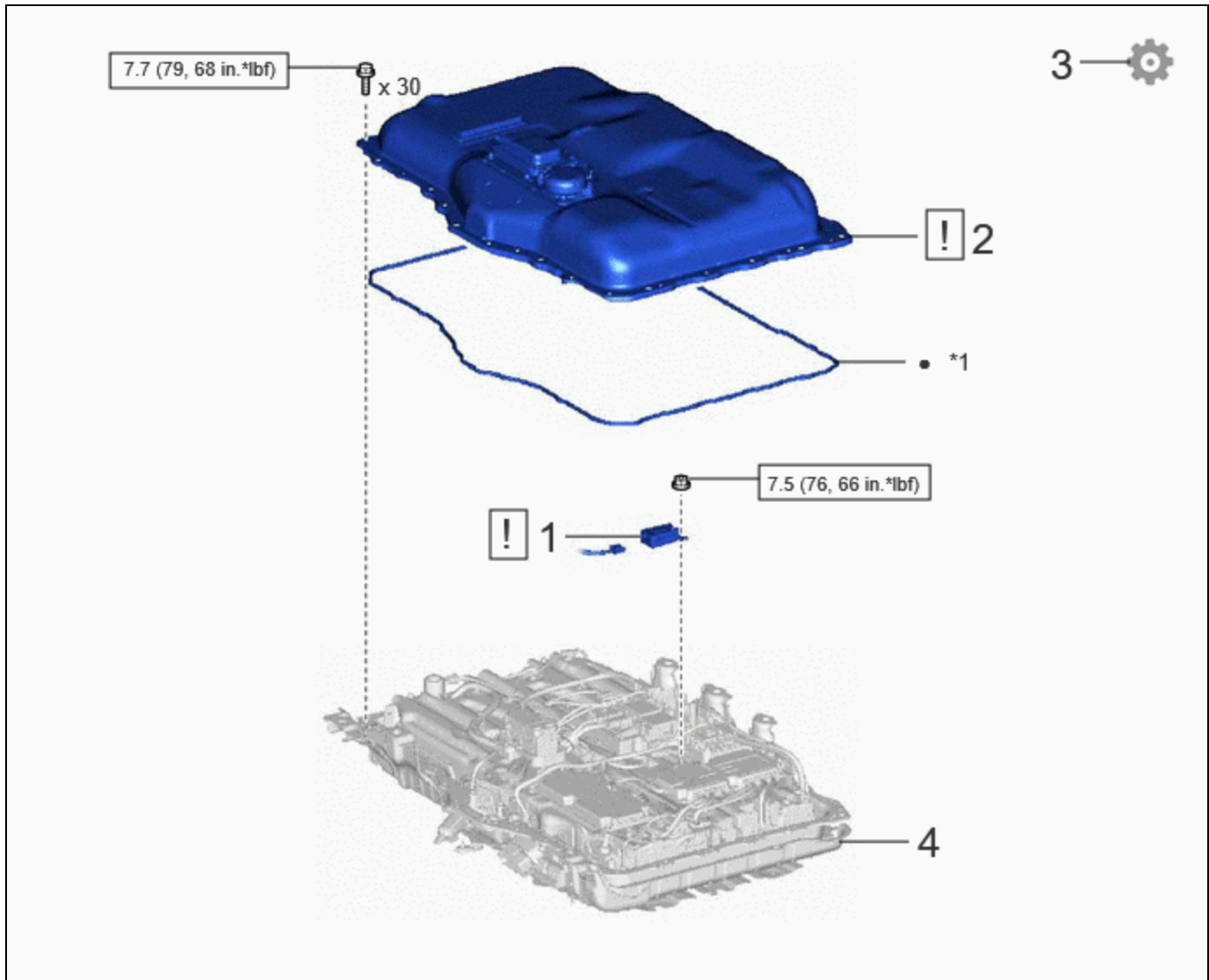


Last Modified: 12-04-2024	6.11:8.1.0	Doc ID: RM100000002B7BH
Model Year Start: 2023	Model: Prius Prime	Prod Date Range: [03/2023 -]
Title: HYBRID / BATTERY CONTROL: HEATER RELAY (for PHEV Model): INSTALLATION; 2023 - 2024 MY Prius Prime [03/2023 -]		




INSTALLATION


CAUTION / NOTICE / HINT

COMPONENTS (INSTALLATION)



	PROCEDURE	PART NAME CODE	!		
1	NO. 1 TRACTION BATTERY HEATER RELAY	G96J1	INFO	-	-
2	NO. 1 TRACTION BATTERY COVER	-	INFO	-	-

	PROCEDURE	PART NAME CODE			
3	CHECK FOR AIRTIGHTNESS	-	-	-	INFO
4	HV SUPPLY BATTERY ASSEMBLY	G9510	-	-	-

*1	NO. 1 HV BATTERY SEAL	-	-
	N*m (kgf*cm, ft.*lbf): Specified torque		<ul style="list-style-type: none"> Non-reusable part

PROCEDURE


1. INSTALL NO. 1 TRACTION BATTERY HEATER RELAY

	<p>CAUTION:</p> <p>Be sure to wear insulated gloves and protective goggles.</p>
---	--

Torque:

7.5 N·m {76 kgf·cm, 66 in·lbf}

2. INSTALL NO. 1 TRACTION BATTERY COVER

	Click here INFO
---	---------------------------------

3. CHECK FOR AIRTIGHTNESS (COMPONENT)

Click here [INFO](#)

4. INSTALL HV SUPPLY BATTERY ASSEMBLY

Click here [INFO](#)

