

Last Modified: 12-04-2024	6.11:8.1.0	Doc ID: RM10000002AMWY
Model Year Start: 2023	Model: Prius Prime	Prod Date Range: [03/2023 -]
Title: HYBRID / BATTERY CONTROL: ELECTRIC VEHICLE CHARGER ASSEMBLY (for PHEV Model): REMOVAL; 2023 - 2024 MY Prius Prime [03/2023 -]		

REMOVAL

CAUTION / NOTICE / HINT

The necessary procedures (adjustment, calibration, initialization or registration) that must be performed after parts are removed and installed, or replaced during electric vehicle charger assembly removal/installation are shown below.

CAUTION:

- Orange wire harnesses and connectors indicate high-voltage circuits. To prevent electric shock, always follow



the procedure described in the repair manual.

Click here [INFO](#)

- To prevent electric shock, wear insulated gloves when working on wire harnesses and components of the high



voltage system.

NOTICE:

After turning the power switch off, waiting time may be required before disconnecting the cable from the negative (-) auxiliary battery terminal.

Click here [INFO](#)

HINT:

When the cable is disconnected / reconnected to the auxiliary battery terminal, systems temporarily stop operating. However, each system has a function that completes learning the first time the system is used.

Items for which learning is completed by driving the vehicle

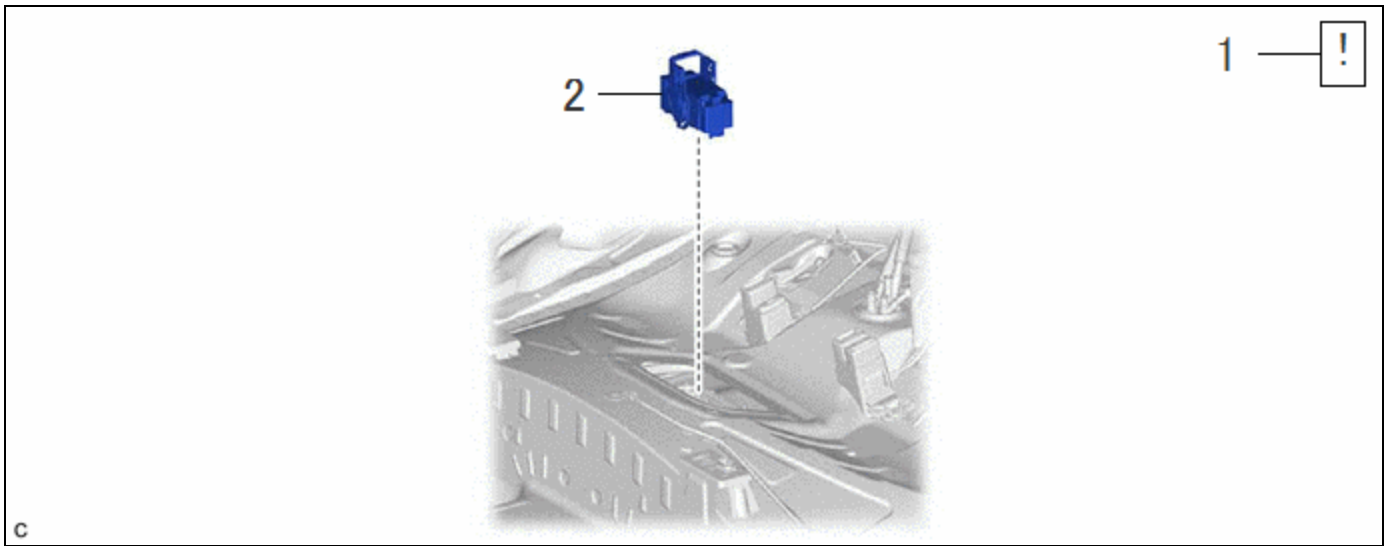
EFFECT/INOPERATIVE FUNCTION WHEN NECESSARY PROCEDURE NOT PERFORMED	NECESSARY PROCEDURE	LINK
Front Camera System	Drive the vehicle straight ahead at 35 km/h (22 mph) or more for 5 seconds or more.	INFO

Items for which learning is completed by operating the vehicle normally

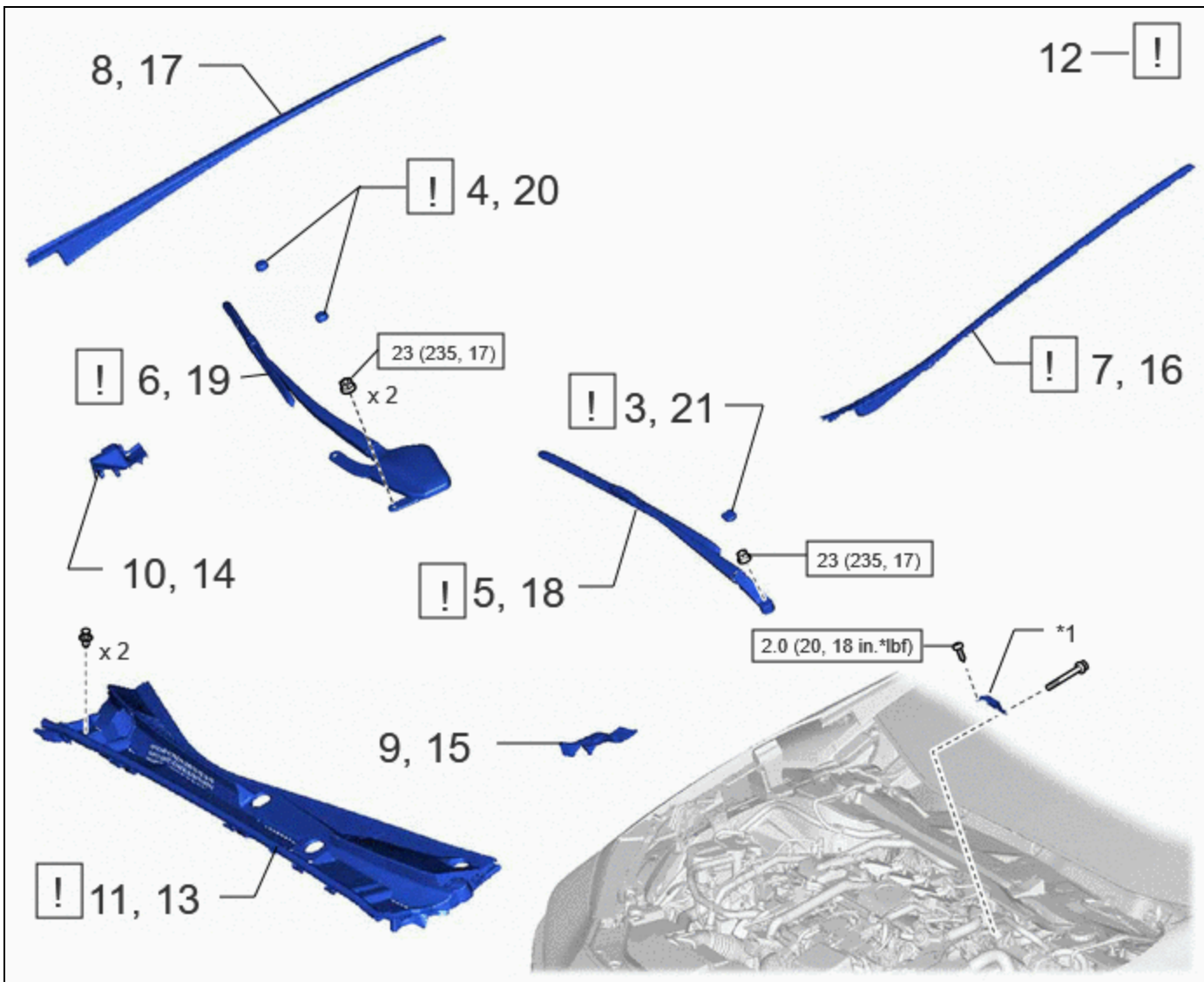
EFFECT/INOPERATIVE FUNCTION WHEN NECESSARY PROCEDURE NOT PERFORMED	NECESSARY PROCEDURE	LINK
Power Door Lock Control System*1 <ul style="list-style-type: none"> Back door opener 	Perform door unlock operation with door control switch or electrical key transmitter sub-assembly switch.	INFO
Power Back Door System*2	Reset back door close position	INFO
Air Conditioning System	After the ignition switch is turned to ON, the servo motor and expansion valve standard position is recognized.	-
*1: w/o Power Back Door System		
*2: w/ Power Back Door System		




CAUTION / NOTICE / HINT






COMPONENTS (REMOVAL)





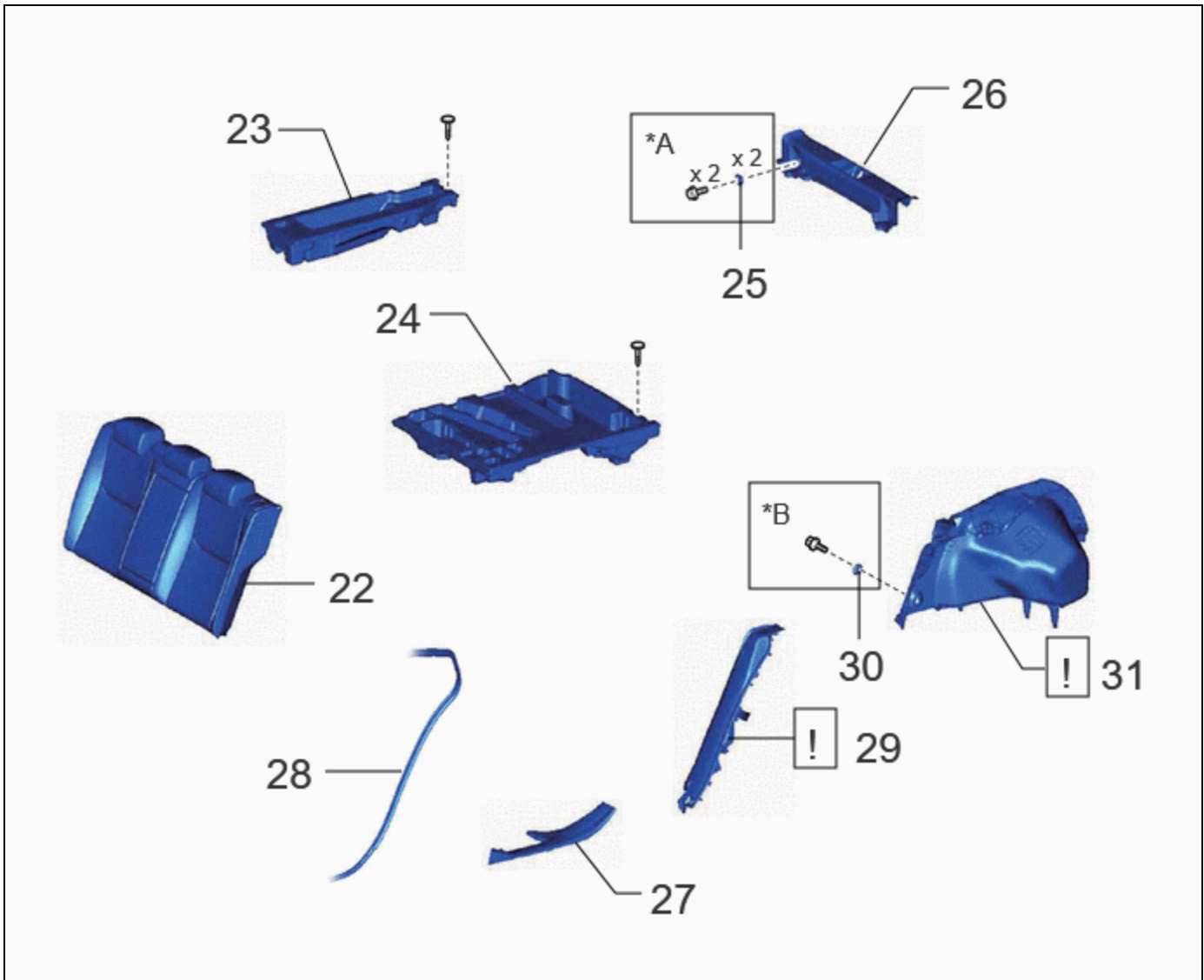
PROCEDURE		PART NAME CODE			
1	PRECAUTION	-	INFO	-	-
2	SERVICE PLUG GRIP	G3834	-	-	-



PROCEDURE		PART NAME CODE			
3	FRONT WIPER ARM HEAD CAP	85292B	INFO	-	-
4	SHIELD CAP	85247	INFO	-	-
5	FRONT WIPER ARM AND BLADE ASSEMBLY LH	-	-	-	-
6	FRONT WIPER ARM AND BLADE ASSEMBLY RH	-	-	-	-
7	WINDSHIELD LOWER OUTSIDE MOULDING LH	75536D	INFO	-	-
8	WINDSHIELD LOWER OUTSIDE MOULDING RH	75535F	-	-	-
9	COWL WATER EXTRACT SHIELD LH	55754F	-	-	-
10	COWL WATER EXTRACT SHIELD RH	55753D	-	-	-
11	COWL TOP VENTILATOR LOUVER SUB-ASSEMBLY	55708	-	-	-
12	CHECK TERMINAL VOLTAGE	-	INFO	-	-
13	COWL TOP VENTILATOR LOUVER SUB-ASSEMBLY	55708	INFO	-	-

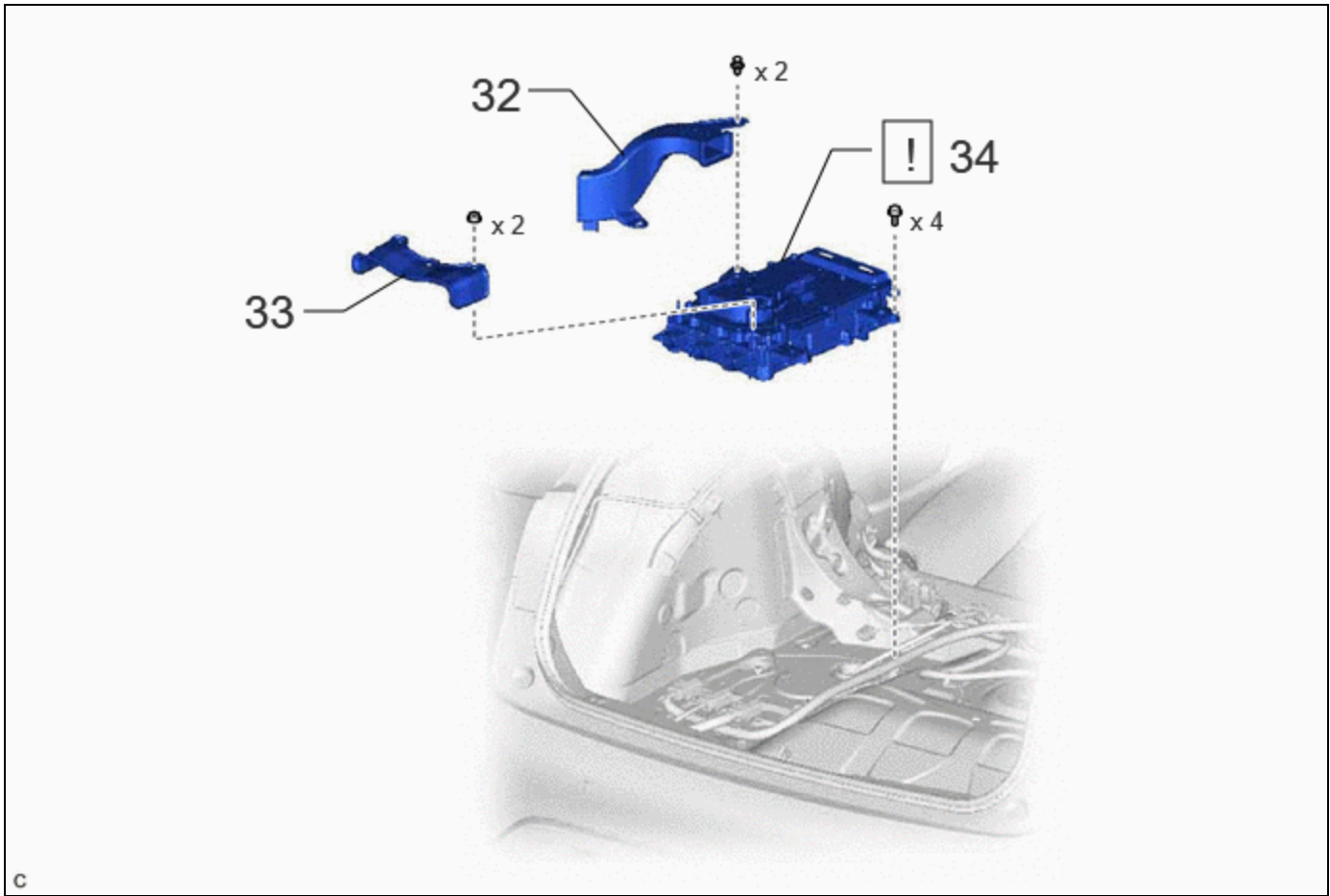
PROCEDURE		PART NAME CODE			
14	COWL WATER EXTRACT SHIELD RH	55753D	-	-	-
15	COWL WATER EXTRACT SHIELD LH	55754F	-	-	-
16	WINDSHIELD LOWER OUTSIDE MOULDING LH	75536D	-	-	-
17	WINDSHIELD LOWER OUTSIDE MOULDING RH	77535F	-	-	-
18	FRONT WIPER ARM AND BLADE ASSEMBLY LH	-		-	-
19	FRONT WIPER ARM AND BLADE ASSEMBLY RH	-		-	-
20	SHIELD CAP	85247	-	-	-
21	FRONT WIPER ARM HEAD CAP	85292B	-	-	-

*1	Connector Cover Assembly	-	-
	Tightening torque for "Major areas involving basic vehicle performance such as moving/turning/stopping": N*m (kgf*cm, ft.*lbf)		N*m (kgf*cm, ft.*lbf): Specified torque

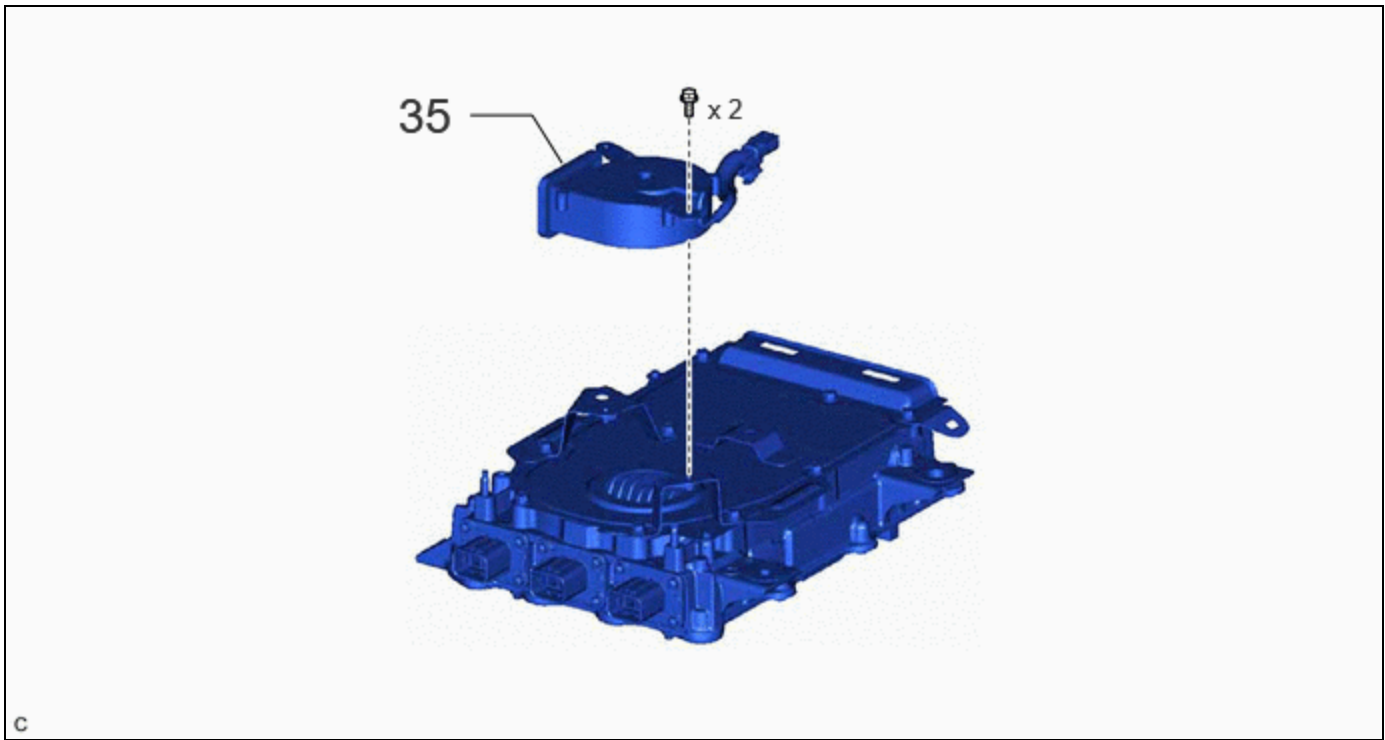





PROCEDURE		PART NAME CODE			
22	REAR SEAT ASSEMBLY	-	-	-	-
23	DECK FLOOR BOX RH	64995	-	-	-
24	DECK FLOOR BOX LH	64997	-	-	-
25	LUGGAGE HOLD BELT STRIKER ASSEMBLY	58460D	-	-	-
26	DECK TRIM COVER REAR	64716D	-	-	-
27	REAR DOOR SCUFF PLATE INSIDE LH	67918F	-	-	-
28	DISCONNECT REAR DOOR OPENING TRIM WEATHERSTRIP LH	62332A	-	-	-
29	REAR SEAT SIDE GARNISH LH	62552F	INFO	-	-
30	LUGGAGE HOLD BELT STRIKER ASSEMBLY	58460D	-	-	-
31	DECK TRIM SIDE PANEL ASSEMBLY LH	64740C	INFO	-	-

*A	for Rear Side	*B	for LH Side
----	---------------	----	-------------




PROCEDURE		PART NAME CODE			
32	EV CHARGER DUCT	G926Q	-	-	-
33	NO. 1 EV CHARGER PROTECTOR	-	-	-	-
34	ELECTRIC VEHICLE CHARGER ASSEMBLY	G9090B		-	-



PROCEDURE	PART NAME CODE			
35 CHARGER COOLING BLOWER	G926V	-	-	-

PROCEDURE


1. PRECAUTION

	Click here INFO
---	---------------------------------


2. REMOVE SERVICE PLUG GRIP

Click here [INFO](#)

3. REMOVE FRONT WIPER ARM HEAD CAP

	Click here INFO
---	---------------------------------

4. REMOVE SHIELD CAP

	Click here INFO
---	---------------------------------

5. REMOVE FRONT WIPER ARM AND BLADE ASSEMBLY LHClick here [INFO](#)**6. REMOVE FRONT WIPER ARM AND BLADE ASSEMBLY RH**Click here [INFO](#)**7. REMOVE WINDSHIELD LOWER OUTSIDE MOULDING LH**

	Click here INFO
---	---------------------------------

8. REMOVE WINDSHIELD LOWER OUTSIDE MOULDING RH

(a) Use the same procedure as for the LH side.

9. REMOVE COWL WATER EXTRACT SHIELD LHClick here [INFO](#)**10. REMOVE COWL WATER EXTRACT SHIELD RH**

(a) Use the same procedure as for the LH side.

11. REMOVE COWL TOP VENTILATOR LOUVER SUB-ASSEMBLYClick here [INFO](#)**12. CHECK TERMINAL VOLTAGE**

	Click here INFO
---	---------------------------------

13. INSTALL COWL TOP VENTILATOR LOUVER SUB-ASSEMBLY

	Click here INFO
---	---------------------------------

14. INSTALL COWL WATER EXTRACT SHIELD RH**15. INSTALL COWL WATER EXTRACT SHIELD LH****16. INSTALL WINDSHIELD LOWER OUTSIDE MOULDING LH**Click here [INFO](#)**17. INSTALL WINDSHIELD LOWER OUTSIDE MOULDING RH**

(a) Use the same procedure as for the LH side.

18. INSTALL FRONT WIPER ARM AND BLADE ASSEMBLY LH



Click here [INFO](#)

19. INSTALL FRONT WIPER ARM AND BLADE ASSEMBLY RH



Click here [INFO](#)

20. INSTALL SHIELD CAP

21. INSTALL FRONT WIPER ARM HEAD CAP

22. REMOVE REAR SEAT ASSEMBLY

Click here [INFO](#)

23. REMOVE DECK FLOOR BOX RH

Click here [INFO](#)

24. REMOVE DECK FLOOR BOX LH

Click here [INFO](#)

25. REMOVE LUGGAGE HOLD BELT STRIKER ASSEMBLY (for Rear Side)

Click here [INFO](#)

26. REMOVE DECK TRIM COVER REAR

Click here [INFO](#)

27. REMOVE REAR DOOR SCUFF PLATE INSIDE LH

Click here [INFO](#)

28. DISCONNECT REAR DOOR OPENING TRIM WEATHERSTRIP LH

Click here [INFO](#)

29. REMOVE REAR SEAT SIDE GARNISH LH



Click here [INFO](#)

30. REMOVE LUGGAGE HOLD BELT STRIKER ASSEMBLY (for LH Side)

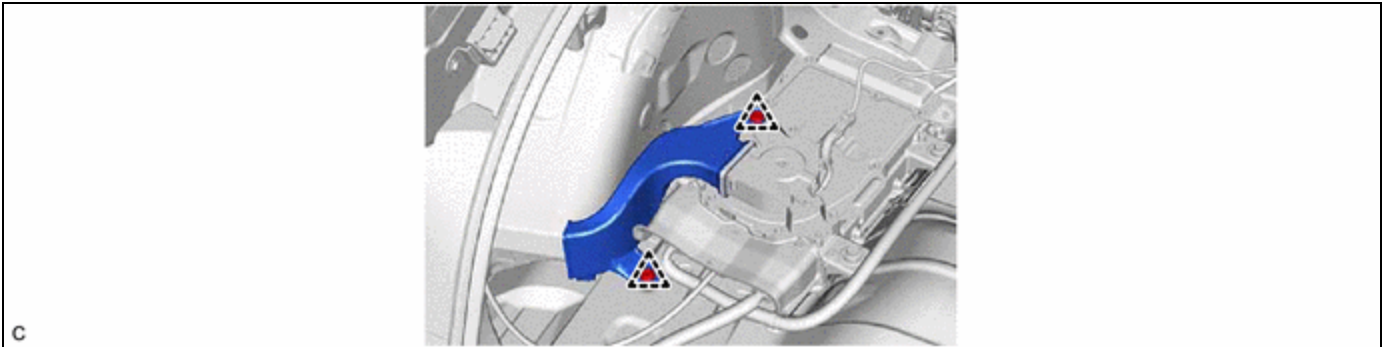
Click here [INFO](#)

31. REMOVE DECK TRIM SIDE PANEL ASSEMBLY LH

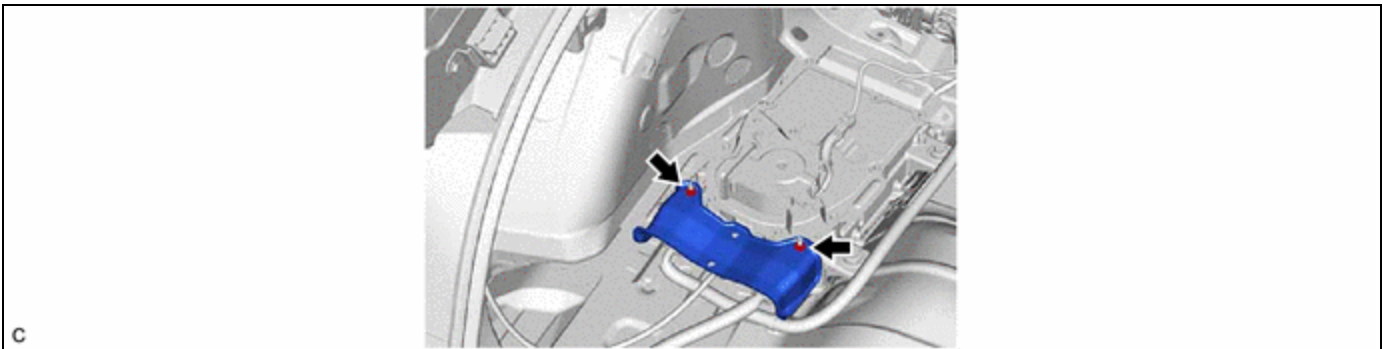


Click here [INFO](#)

32. REMOVE EV CHARGER DUCT



33. REMOVE NO. 1 EV CHARGER PROTECTOR

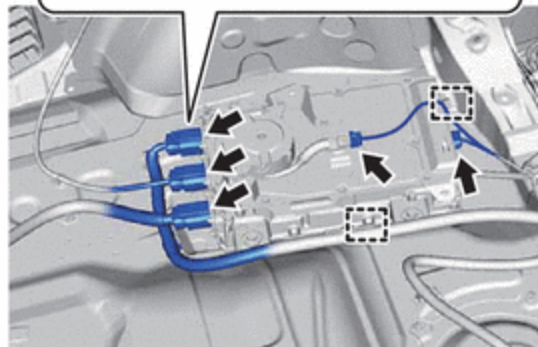
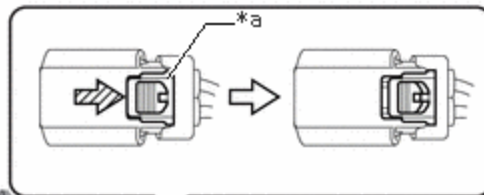


34. REMOVE ELECTRIC VEHICLE CHARGER ASSEMBLY




CAUTION:
Be sure to wear insulated gloves.

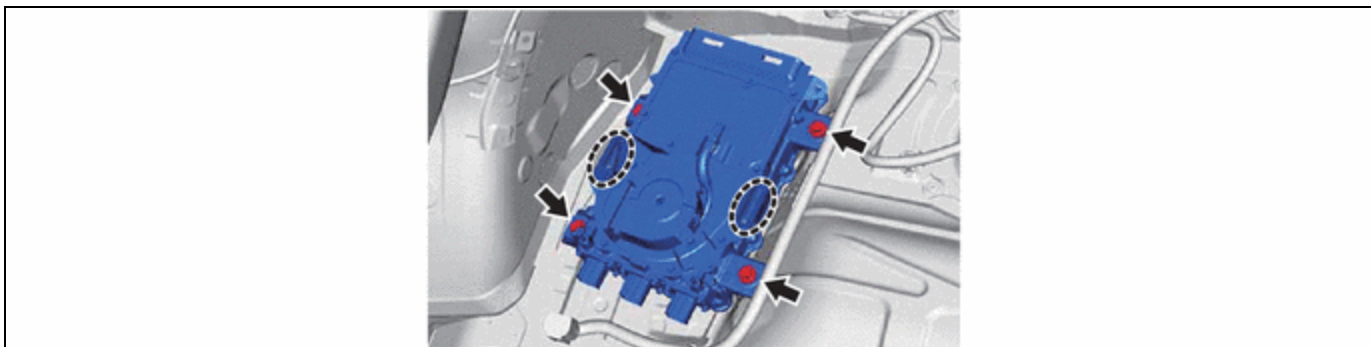
i, ii, iii




*a	Green-colored Lock	-	-
----	--------------------	---	---

	Slide	-	-
---	-------	---	---

- (1) Disengage the 2 clamps.
- (2) Disconnect the 2 connectors.
- (3) Using a screwdriver, slide the green-colored lock of the connector as shown in the illustration to release it and disconnect the 3 connectors.



	Place Hand Here	-	-
---	-----------------	---	---

35. REMOVE CHARGER COOLING BLOWER

