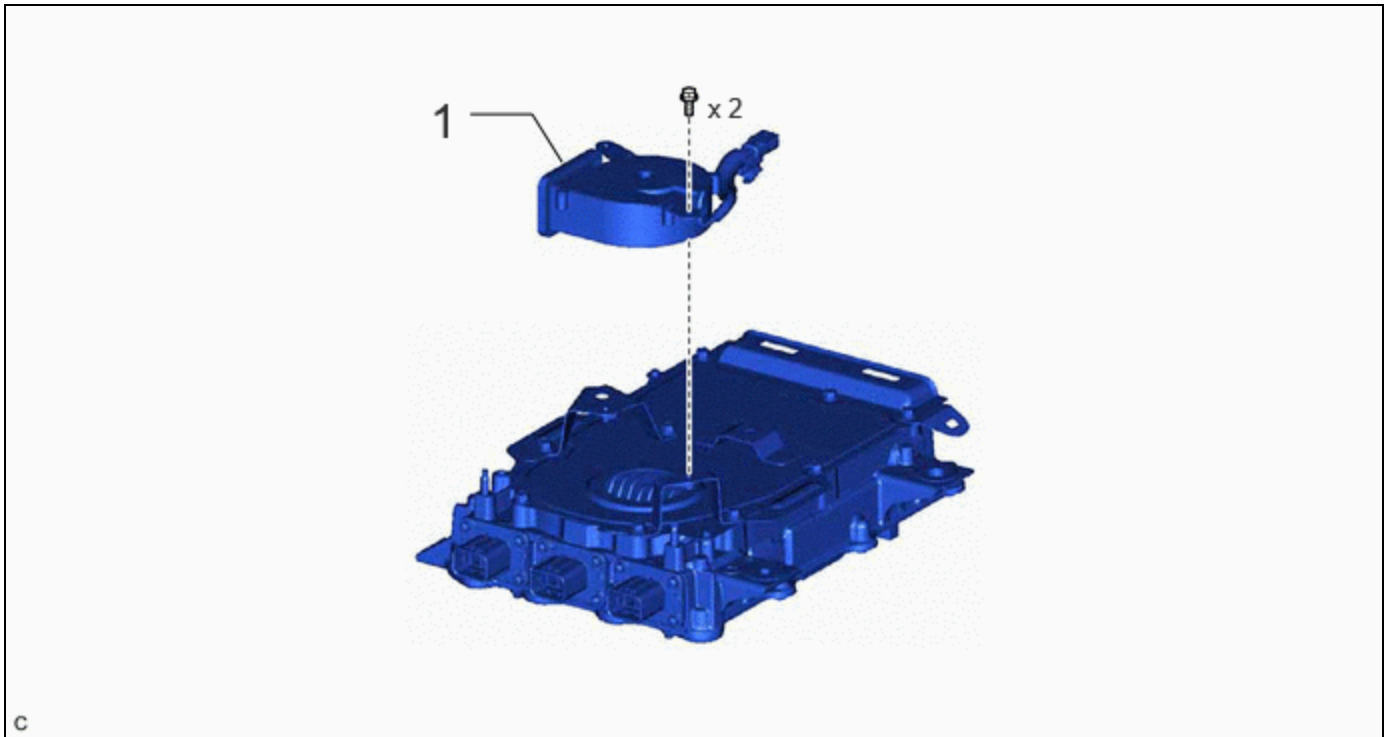


<b>Last Modified:</b> 12-04-2024	6.11:8.1.0	<b>Doc ID:</b> RM10000002AMWZ
<b>Model Year Start:</b> 2023	<b>Model:</b> Prius Prime	<b>Prod Date Range:</b> [03/2023 - ]
<b>Title:</b> HYBRID / BATTERY CONTROL: ELECTRIC VEHICLE CHARGER ASSEMBLY (for PHEV Model): INSTALLATION; 2023 - 2024 MY Prius Prime [03/2023 - ]		

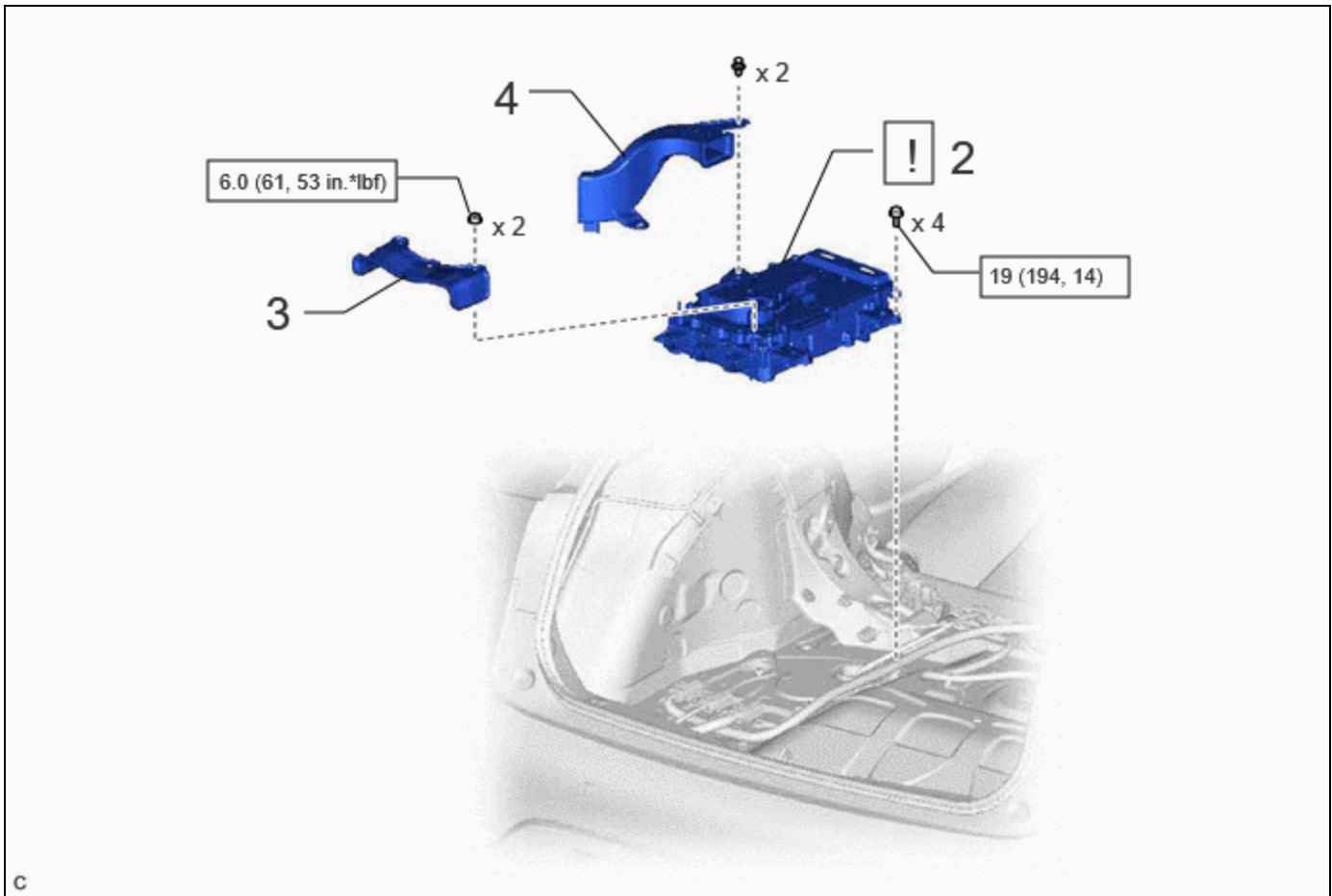
## INSTALLATION

### CAUTION / NOTICE / HINT

#### COMPONENTS (INSTALLATION)



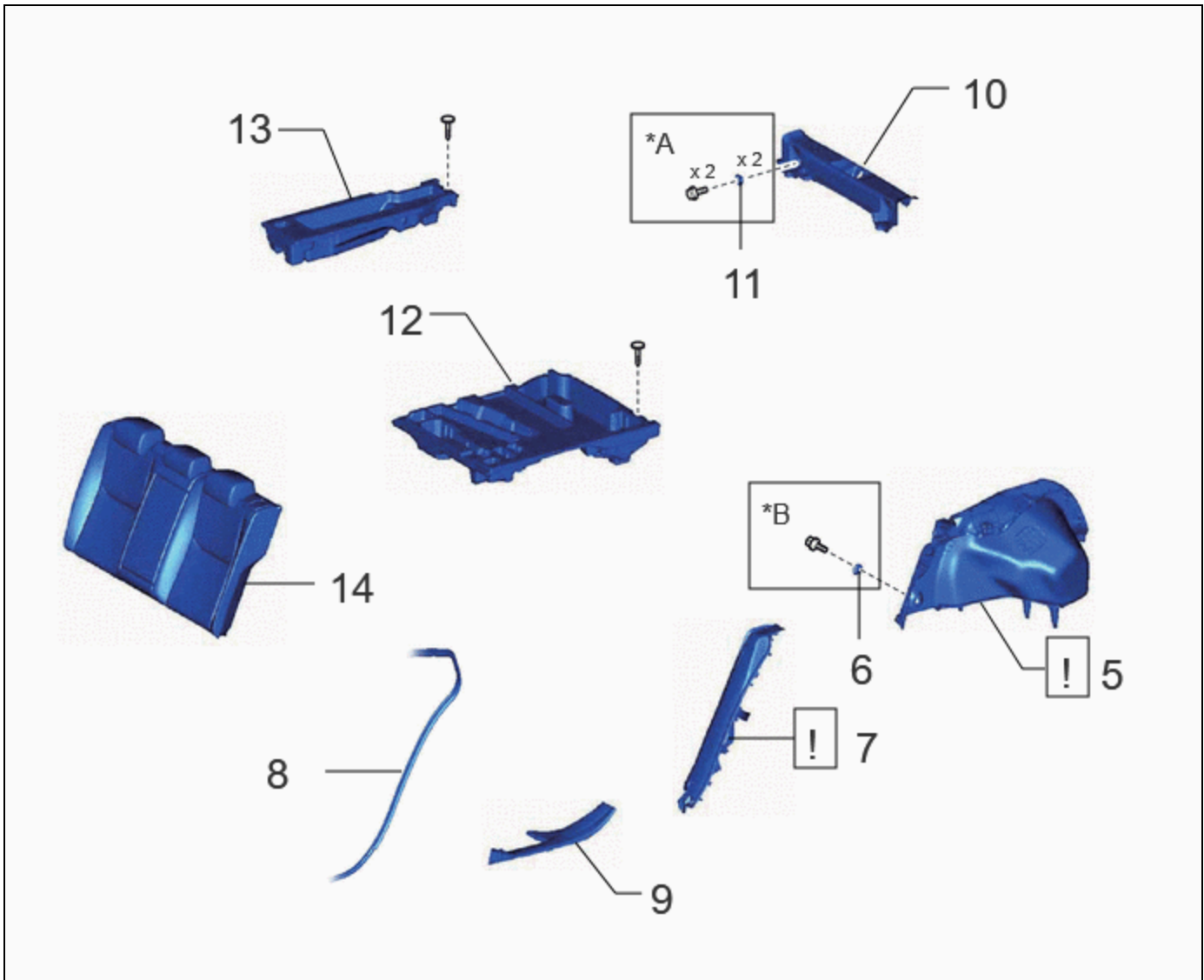
PROCEDURE		PART NAME CODE			
1	CHARGER COOLING BLOWER	G926V	-	-	-






c

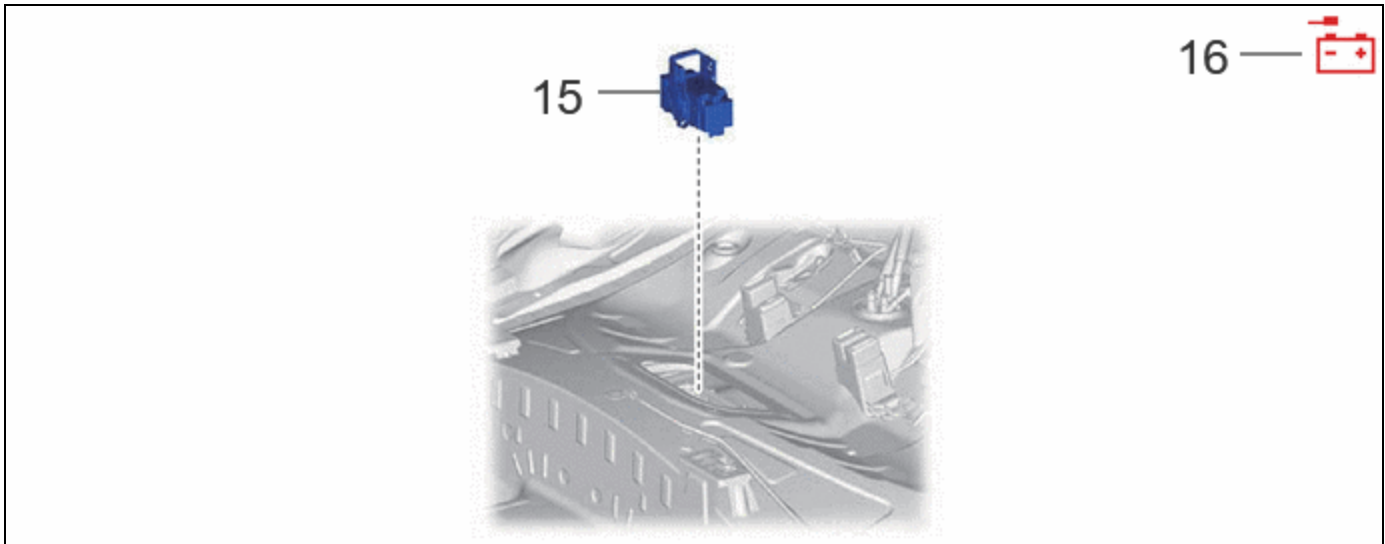
	PROCEDURE	PART NAME CODE			
2	ELECTRIC VEHICLE CHARGER ASSEMBLY	G9090B	<a href="#">INFO</a>	-	-
3	NO. 1 EV CHARGER PROTECTOR	-	-	-	-
4	EV CHARGER DUCT	G926Q	-	-	-

	N*m (kgf*cm, ft.*lbf): Specified torque	-	-
--	---	---	---



PROCEDURE		PART NAME CODE			
5	DECK TRIM SIDE PANEL ASSEMBLY LH	64740C	-	-	-
6	LUGGAGE HOLD BELT STRIKER ASSEMBLY	58460D	-	-	-
7	REAR SEAT SIDE GARNISH LH	62552F	-	-	-
8	CONNECT REAR DOOR OPENING TRIM WEATHERSTRIP LH	62332A	-	-	-
9	REAR DOOR SCUFF PLATE INSIDE LH	67918F	-	-	-
10	DECK TRIM COVER REAR	64716D	-	-	-
11	LUGGAGE HOLD BELT STRIKER ASSEMBLY	58460D	-	-	-
12	DECK FLOOR BOX LH	64997	-	-	-
13	DECK FLOOR BOX RH	64995	-	-	-
14	REAR SEAT ASSEMBLY	-	-	-	-

*A	for Rear Side	*B	for LH Side
----	---------------	----	-------------

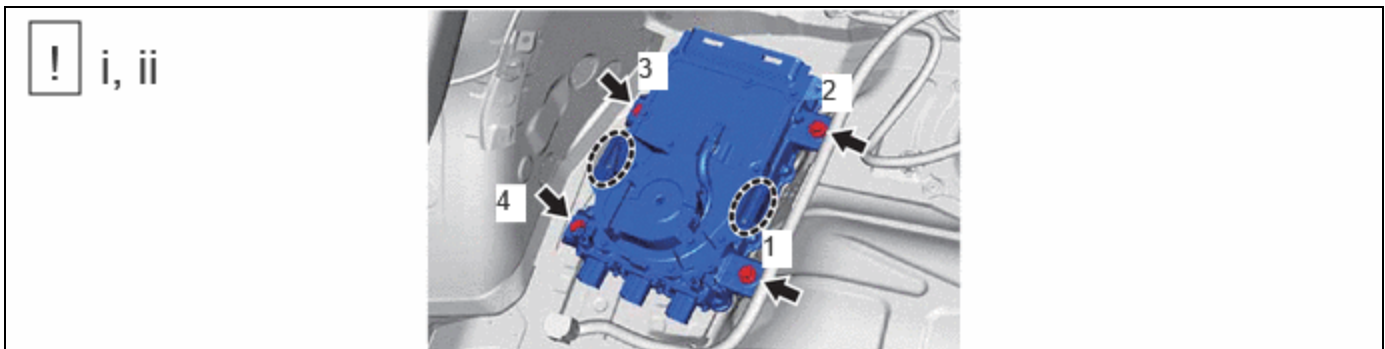



PROCEDURE		PART NAME CODE			
15	SERVICE PLUG GRIP	G3834	-	-	-
16	INITIALIZATION AFTER RECONNECTING BATTERY TERMINAL	-	-	-	-

## PROCEDURE

1. INSTALL CHARGER COOLING BLOWER
2. INSTALL ELECTRIC VEHICLE CHARGER ASSEMBLY

	<p><b>CAUTION:</b></p> <p>Be sure to wear insulated gloves.</p>
--	---

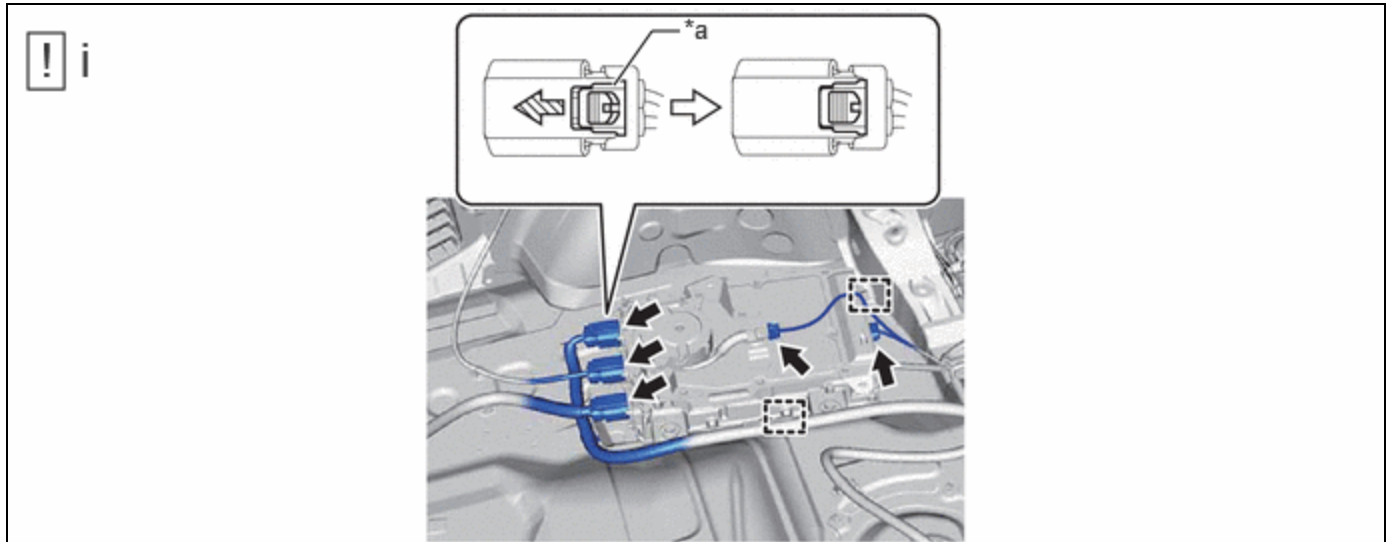



	Place Hand Here	-	-
---	-----------------	---	---

(1) Fully tighten the 4 bolts in the order shown in the illustration.

**Torque:**

**19 N·m {194 kgf·cm, 14 ft·lbf}**



*a	Green-colored Lock	-	-
	Slide	-	-

(1) Connect the 3 electric vehicle charger assembly connectors and slide the green-colored lock as shown in the illustration to lock it securely.

**NOTICE:**

Make sure that the connectors are connected securely.

(2) Engage the 2 clamps.

(3) Connect the 2 electric vehicle charger assembly connectors.

**3. INSTALL NO. 1 EV CHARGER PROTECTOR**

**Torque:**

**6.0 N·m {61 kgf·cm, 53 in·lbf}**

**4. INSTALL EV CHARGER DUCT**

**5. INSTALL DECK TRIM SIDE PANEL ASSEMBLY LH**

**6. INSTALL LUGGAGE HOLD BELT STRIKER ASSEMBLY (for LH Side)**

**7. INSTALL REAR SEAT SIDE GARNISH LH**

**8. CONNECT REAR DOOR OPENING TRIM WEATHERSTRIP LH**

**9. INSTALL REAR DOOR SCUFF PLATE INSIDE LH**

**10. INSTALL DECK TRIM COVER REAR**

**11. INSTALL LUGGAGE HOLD BELT STRIKER ASSEMBLY (for Rear Side)****12. INSTALL DECK FLOOR BOX LH****13. INSTALL DECK FLOOR BOX RH****14. INSTALL REAR SEAT ASSEMBLY**

Click here [INFO](#)

**15. INSTALL SERVICE PLUG GRIP**

Click here [INFO](#)

**16. INITIALIZATION AFTER RECONNECTING BATTERY TERMINAL****HINT:**

When disconnecting and reconnecting the battery, there is an automatic learning function that completes learning when the respective system is used.

Click here [INFO](#)

