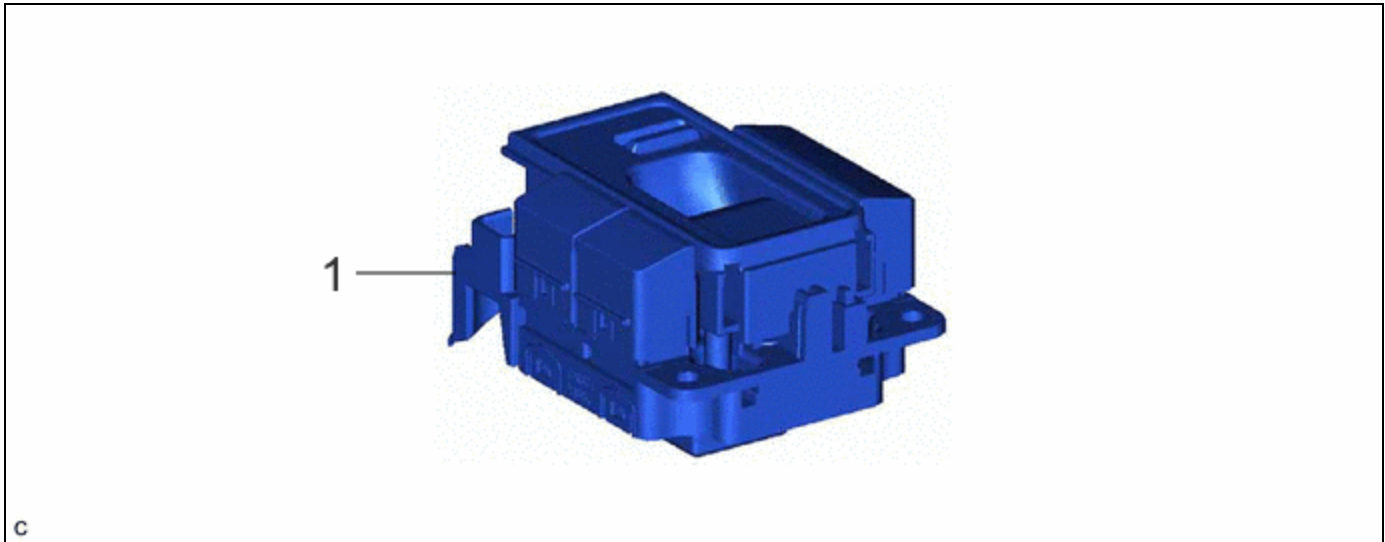


Last Modified: 12-04-2024	6.11:8.1.0	Doc ID: RM1000000029QXB
Model Year Start: 2023	Model: Prius Prime	Prod Date Range: [12/2022 -]
Title: HYBRID / BATTERY CONTROL: COMBINATION SWITCH: INSTALLATION; 2023 - 2024 MY Prius Prius Prime [12/2022 -]		

INSTALLATION

CAUTION / NOTICE / HINT

COMPONENTS (INSTALLATION)



PROCEDURE		PART NAME CODE			
1	ELECTRIC PARKING BRAKE SWITCH ASSEMBLY	84390B	-	-	-

PROCEDURE

1. INSTALL ELECTRIC PARKING BRAKE SWITCH ASSEMBLY

Click here [INFO](#)

