

Last Modified: 12-04-2024	6.11:8.1.0	Doc ID: RM100000002B2JL
Model Year Start: 2023	Model: Prius Prime	Prod Date Range: [03/2023 -]
Title: M20A-FXS (COOLING): RADIATOR (for PHEV Model): REMOVAL; 2023 - 2024 MY Prius Prime [03/2023 -]		

REMOVAL

CAUTION / NOTICE / HINT

The necessary procedures (adjustment, calibration, initialization or registration) that must be performed after parts are removed and installed, or replaced during radiator removal/installation are shown below.

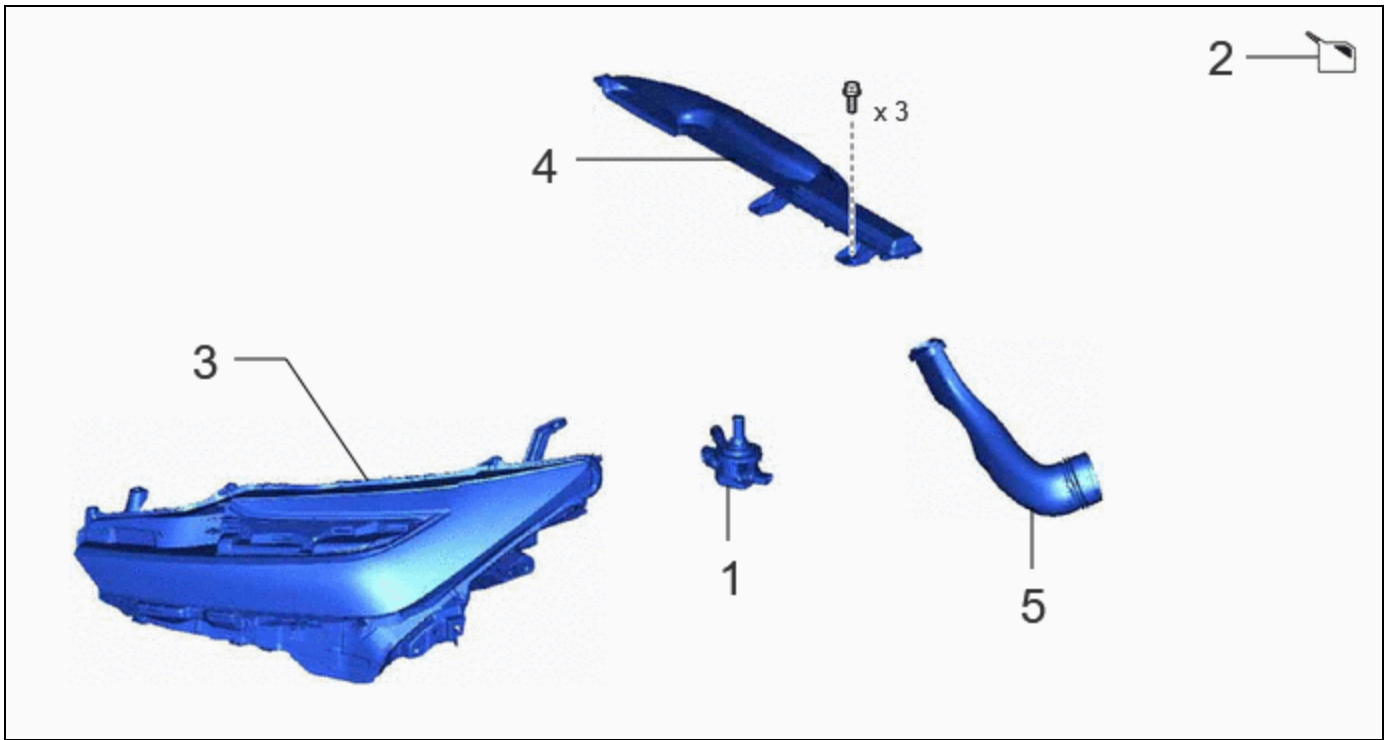
Necessary Procedures After Parts Removed/Installed/Replaced

REPLACED PART OR PERFORMED PROCEDURE	NECESSARY PROCEDURES	EFFECT/INOPERATIVE FUNCTION WHEN NECESSARY PROCEDURES ARE NOT PERFORMED	LINK
Front bumper assembly*1	Front television camera view adjustment	Panoramic View Monitor System	INFO
		Advanced Park	INFO
Replacement or removal and installation of 2 or more parts: <ul style="list-style-type: none"> • Front television camera assembly, Radiator grille or Front bumper assembly • Rear television camera assembly • Side television camera assembly LH, Parking assist light LH or Outer rear view mirror assembly LH • Side television camera assembly RH, Parking assist light RH or Outer rear view mirror assembly RH 	Television camera view adjustment	Panoramic View Monitor System	INFO

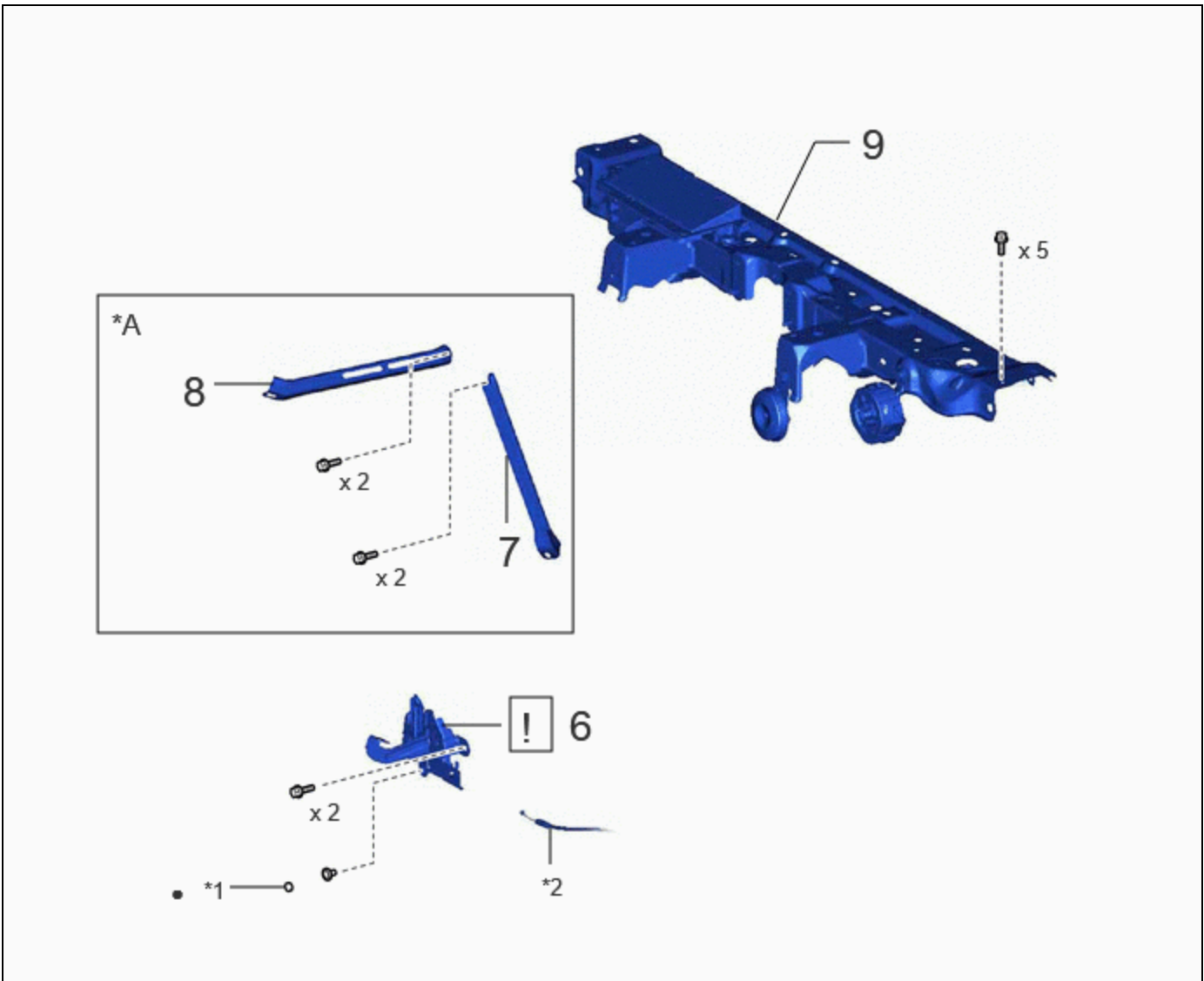
*1: Even when not replacing the part, it is necessary to perform the specified necessary procedures after installation.

CAUTION / NOTICE / HINT

COMPONENTS (REMOVAL)

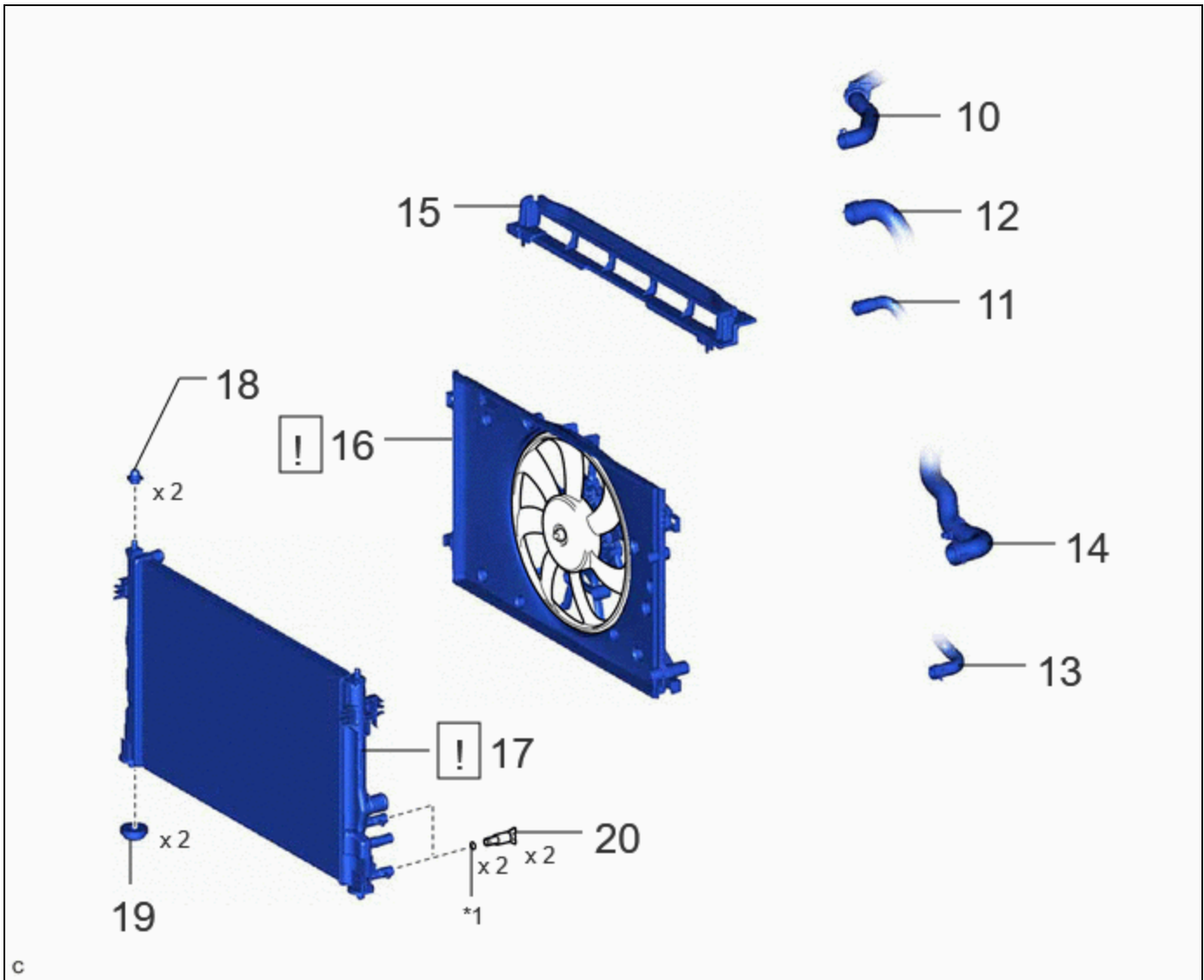


	PROCEDURE	PART NAME CODE			
1	INVERTER WATER PUMP WITH MOTOR ASSEMBLY	G9040	-	-	-
2	DRAIN ENGINE COOLANT (for Engine)	-	-	INFO	-
3	HEADLIGHT ASSEMBLY	-	-	-	-
4	INLET NO. 1 AIR CLEANER	17751	-	-	-
5	INLET NO. 2 AIR CLEANER	17752	-	-	-



	PROCEDURE	PART NAME CODE			
6	HOOD LOCK ASSEMBLY	53510	INFO	-	-
7	RADIATOR MOUNTING BRACKET UPPER LH	53254A	-	-	-
8	RADIATOR MOUNTING BRACKET UPPER RH	53253D	-	-	-
9	UPPER RADIATOR SUPPORT SUB-ASSEMBLY	53205	-	-	-

*A	w/ Bracket	-	-
*1	HOOD LOCK NUT CAP	*2	HOOD LOCK CONTROL CABLE ASSEMBLY
●	Non-reusable part	-	-



PROCEDURE		PART NAME CODE			
10	NO. 1 WATER BY-PASS HOSE	16261	-	-	-
11	INLET HYBRID RADIATOR HOSE	G922H	-	-	-
12	NO. 2 RADIATOR HOSE	16572D	-	-	-
13	INLET NO. 1 INVERTER COOLING HOSE	G922AA	-	-	-
14	NO. 1 RADIATOR HOSE	16571C	-	-	-
15	NO. 2 RADIATOR AIR GUIDE	16594A	-	-	-
16	FAN WITH MOTOR ASSEMBLY	-	INFO	-	-
17	RADIATOR ASSEMBLY	16400	INFO	-	-
18	RADIATOR SUPPORT CUSHION	16523A	-	-	-
19	RADIATOR SUPPORT GROMMET	16533C	-	-	-
20	RADIATOR DRAIN COCK PLUG	16400B	-	-	-

*1	O-RING	-	-
----	--------	---	---

PROCEDURE

1. REMOVE INVERTER WATER PUMP WITH MOTOR ASSEMBLY

Click here [INFO](#)

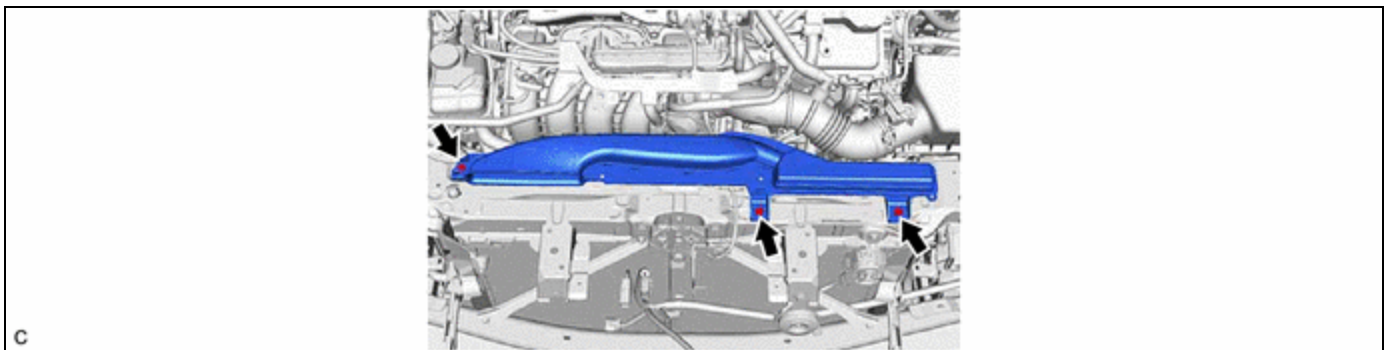
2. DRAIN ENGINE COOLANT (for Engine)

Click here [INFO](#)

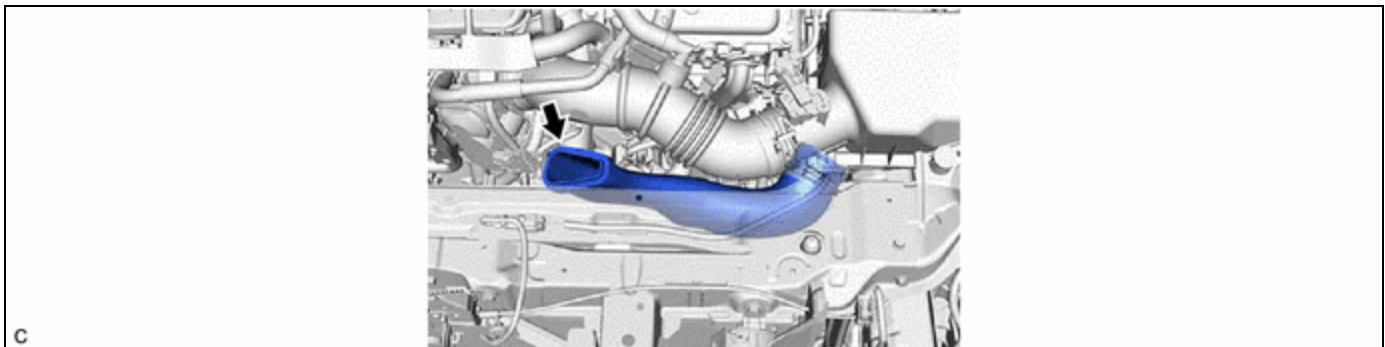
3. REMOVE HEADLIGHT ASSEMBLY

Click here [INFO](#)

4. REMOVE INLET NO. 1 AIR CLEANER



5. REMOVE INLET NO. 2 AIR CLEANER



6. REMOVE HOOD LOCK ASSEMBLY

	Click here INFO
--	---------------------------------

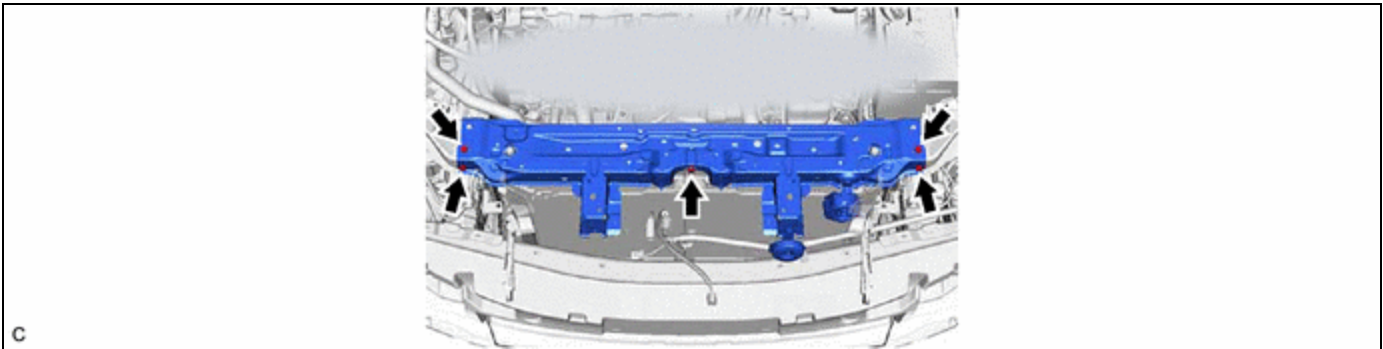
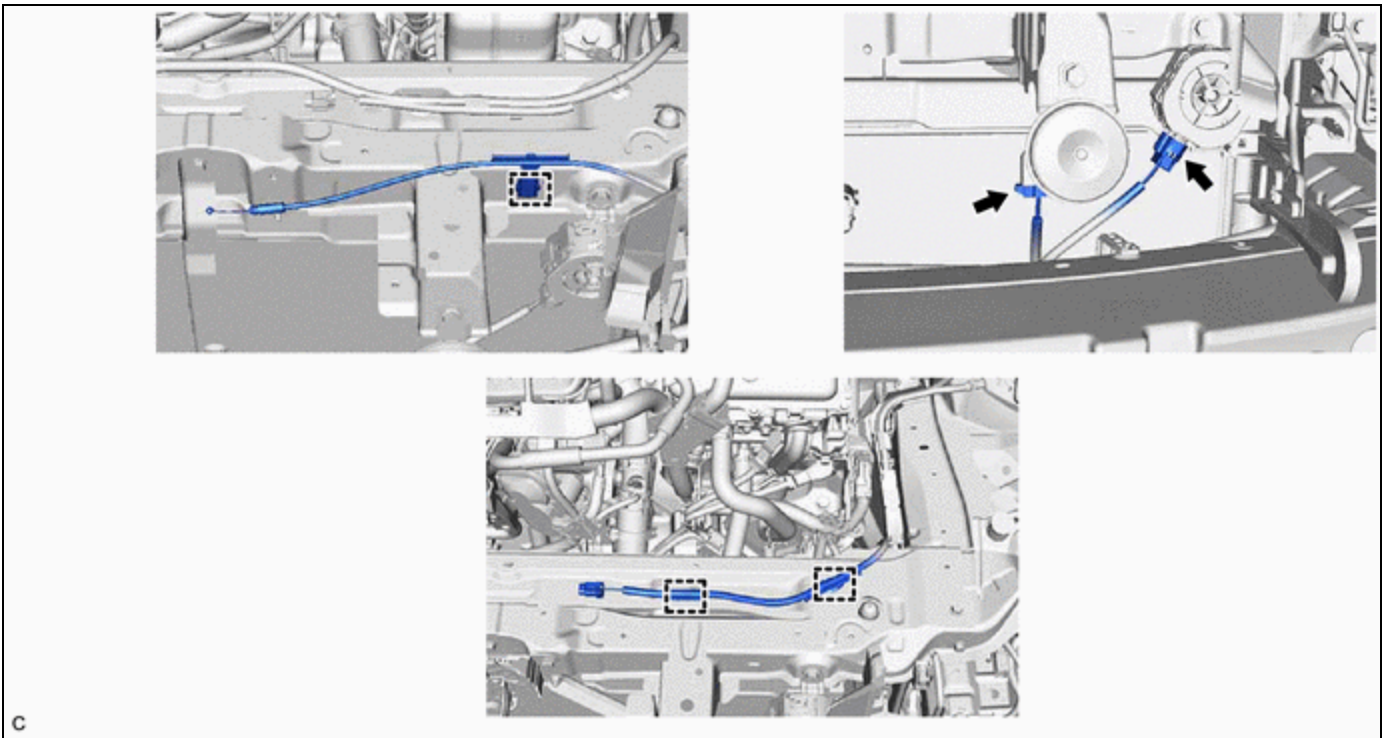
7. REMOVE RADIATOR MOUNTING BRACKET UPPER LH (w/ Bracket)

Click here [INFO](#)

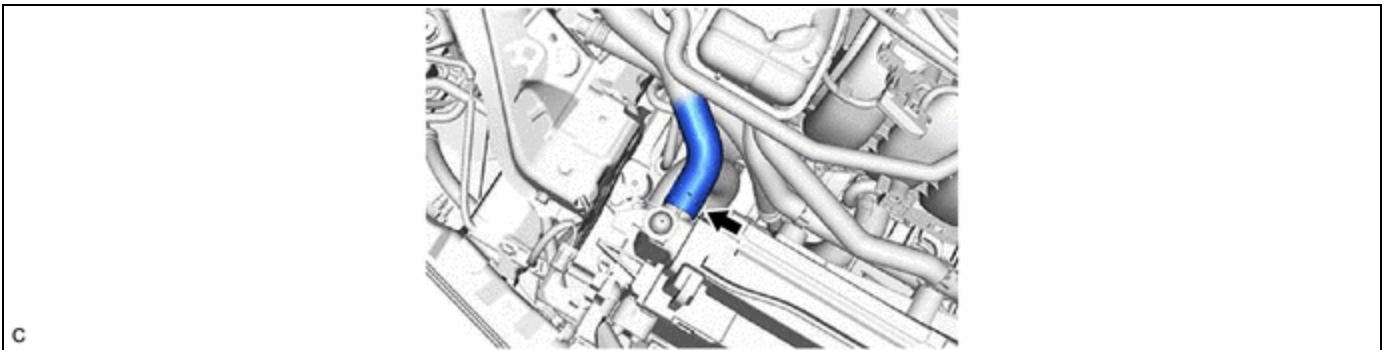
8. REMOVE RADIATOR MOUNTING BRACKET UPPER RH (w/ Bracket)

Click here [INFO](#)

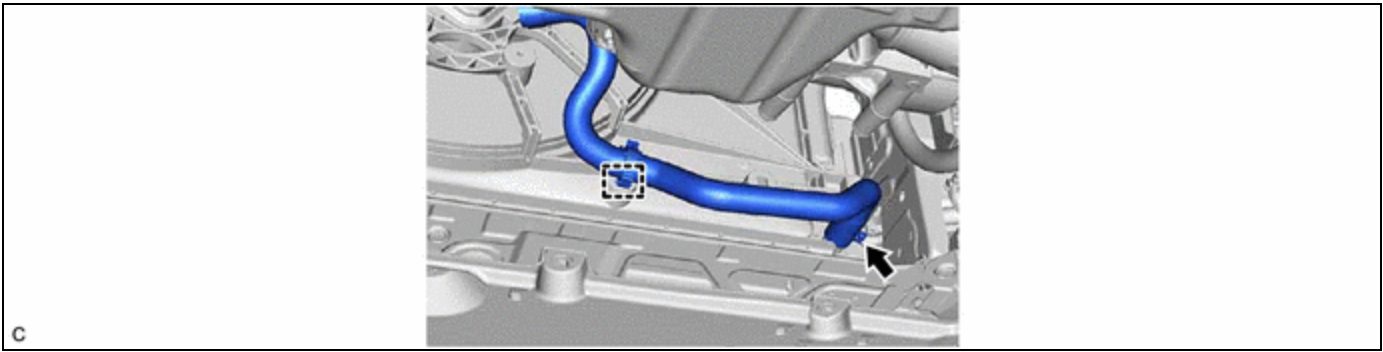
9. REMOVE UPPER RADIATOR SUPPORT SUB-ASSEMBLY



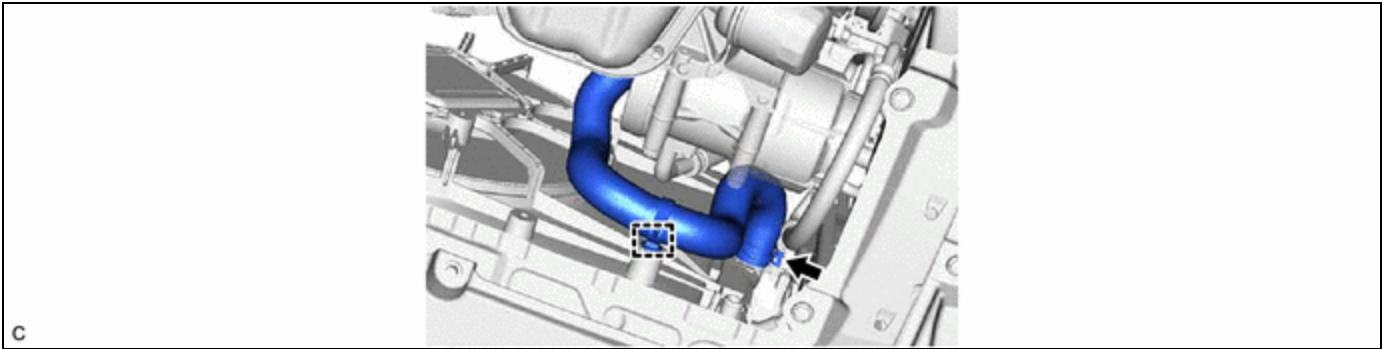
10. DISCONNECT NO. 1 WATER BY-PASS HOSE



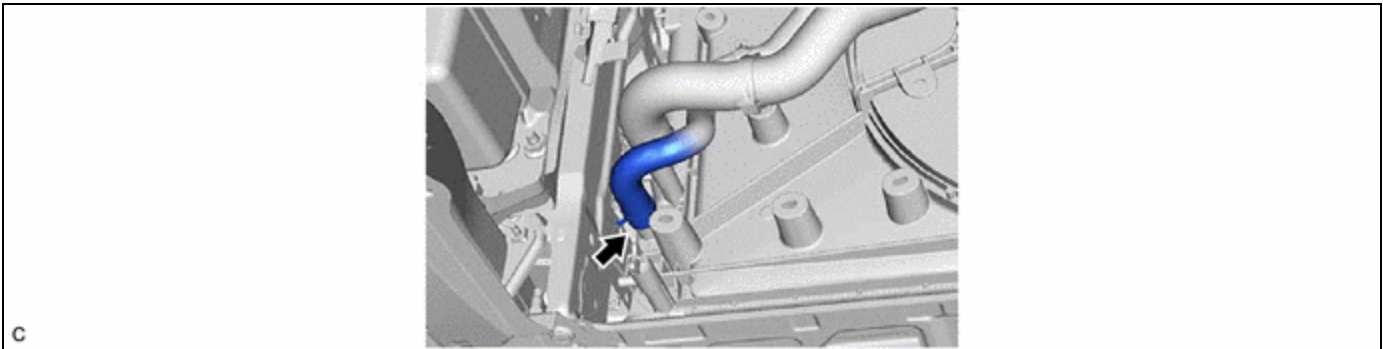
11. DISCONNECT INLET HYBRID RADIATOR HOSE



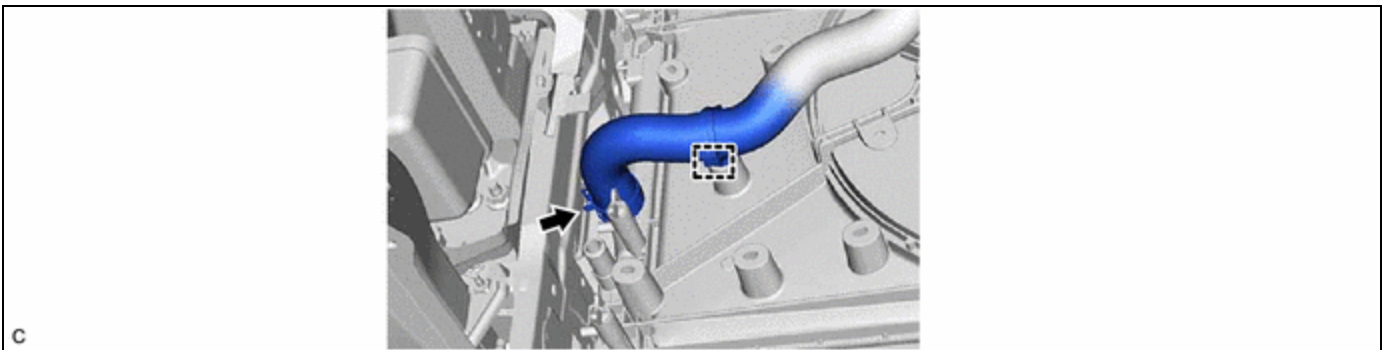
12. DISCONNECT NO. 2 RADIATOR HOSE



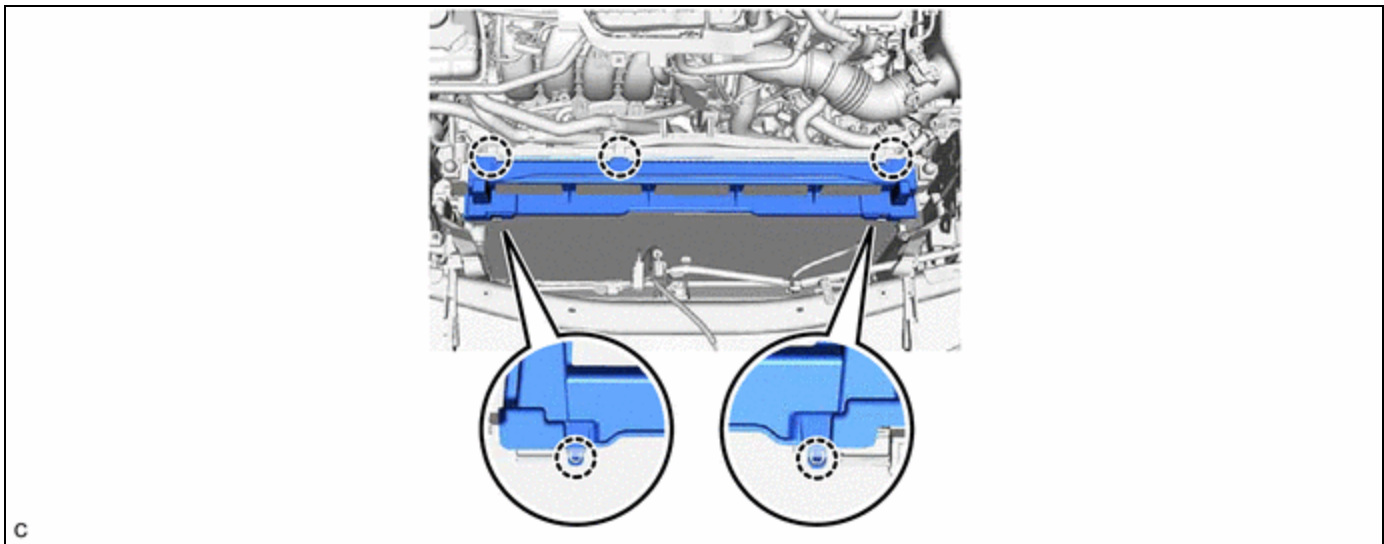
13. DISCONNECT INLET NO. 1 INVERTER COOLING HOSE



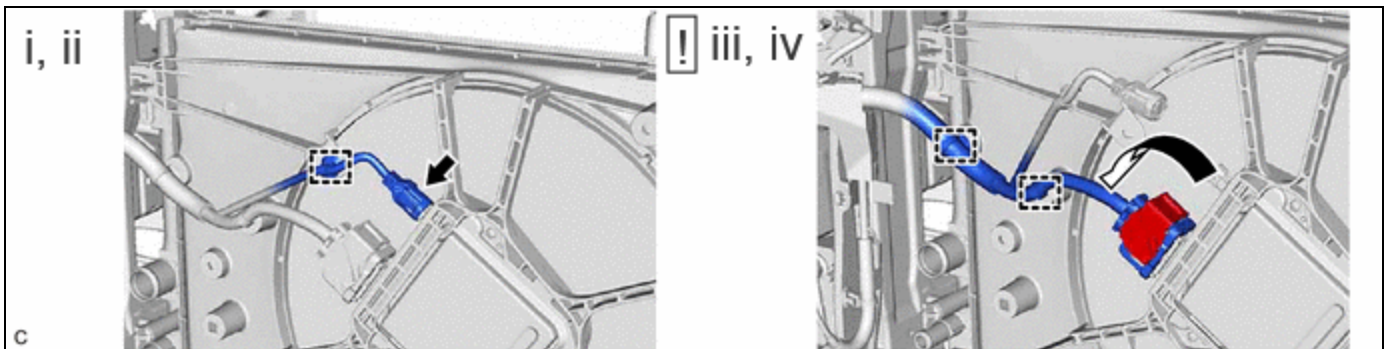
14. DISCONNECT NO. 1 RADIATOR HOSE



15. REMOVE NO. 2 RADIATOR AIR GUIDE



16. REMOVE FAN WITH MOTOR ASSEMBLY

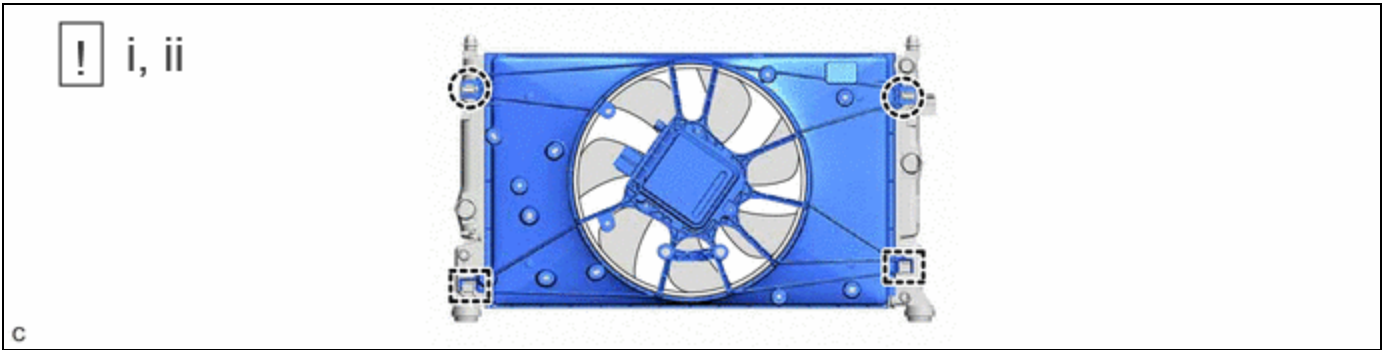
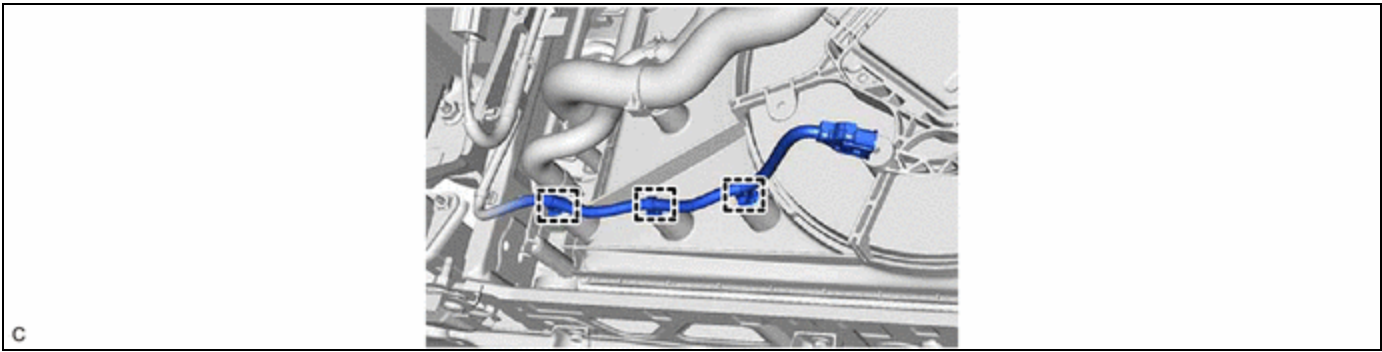


- (1) Disconnect the cooling fan motor connector.
- (2) Disengage the clamp to disconnect the wire harness from the fan with motor assembly.
- (3) Rotate the lever while pushing the lock, and disconnect the cooling fan motor connector.

NOTICE:

After disconnecting the cooling fan motor connector, make sure that dirt, water or other foreign matter does not contact the connecting parts of the cooling fan motor connector.

- (4) Disengage the 2 clamps to disconnect the wire harness from the fan with motor assembly.

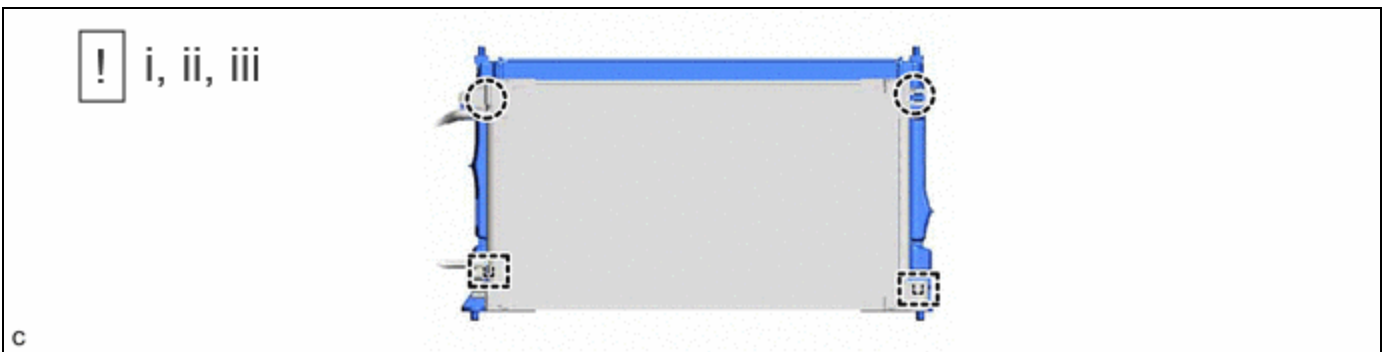


- (1) Disengage the 2 claws.
- (2) Disengage the 2 guides to remove the fan with motor assembly from the radiator assembly.

NOTICE:

Do not damage the radiator assembly when removing the fan with motor assembly.

17. REMOVE RADIATOR ASSEMBLY



- (1) Disengage the 2 claws.
- (2) Disengage the 2 guides to separate the cooler condenser assembly from the radiator assembly.

NOTICE:

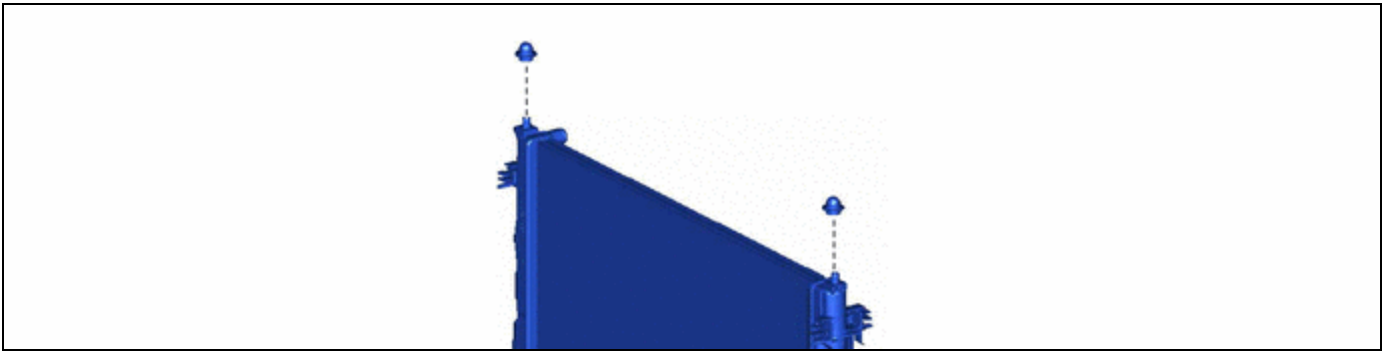
Make sure not to damage the cooler condenser assembly when separating the cooler condenser assembly.

- (3) Remove the radiator assembly from the vehicle body.

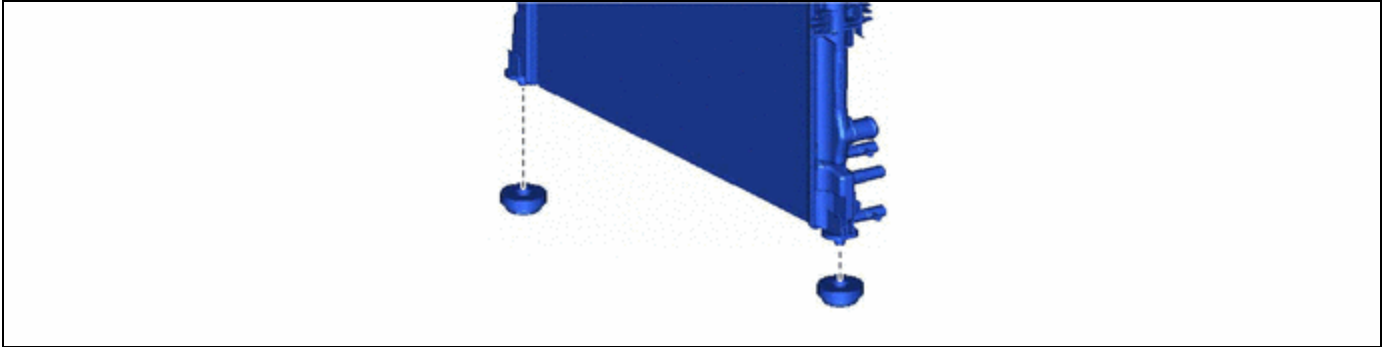
NOTICE:

Do not apply excessive force to the cooler condenser assembly or pipe when removing the radiator assembly.

18. REMOVE RADIATOR SUPPORT CUSHION



19. REMOVE RADIATOR SUPPORT GROMMET



20. REMOVE RADIATOR DRAIN COCK PLUG

