

Last Modified: 12-04-2024	6.11:8.1.0	Doc ID: RM1000000029ITJ
Model Year Start: 2023	Model: Prius	Prod Date Range: [12/2022 -]
Title: M20A-FXS (COOLING): RADIATOR: REMOVAL; 2023 - 2024 MY Prius [12/2022 -]		

REMOVAL

CAUTION / NOTICE / HINT

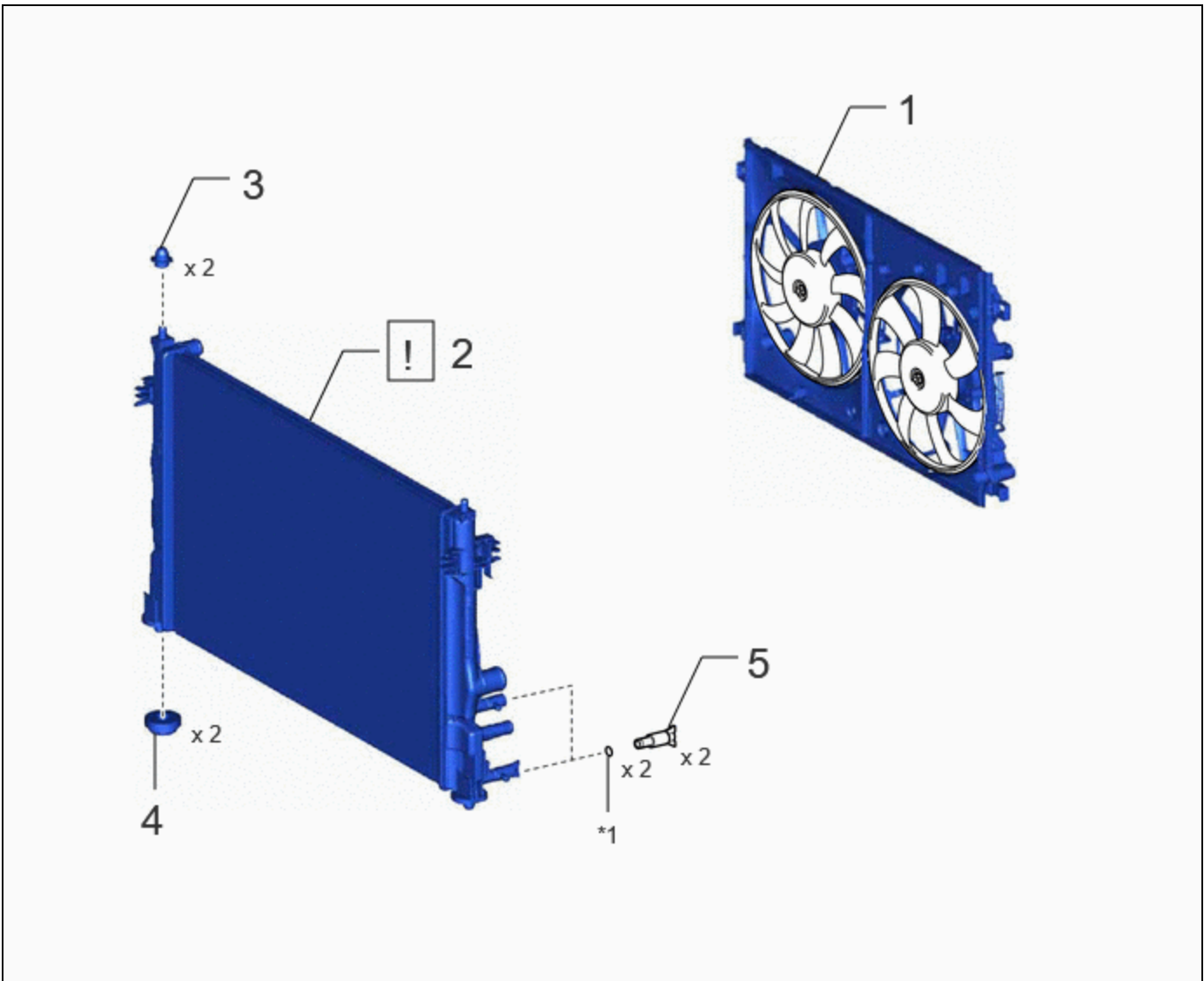
The necessary procedures (adjustment, calibration, initialization or registration) that must be performed after parts are removed and installed, or replaced during radiator assembly removal/installation are shown below.

Necessary Procedures After Parts Removed/Installed/Replaced

REPLACED PART OR PERFORMED PROCEDURE	NECESSARY PROCEDURES	EFFECT/INOPERATIVE FUNCTION WHEN NECESSARY PROCEDURES ARE NOT PERFORMED	LINK
Front bumper assembly*1	Front television camera view adjustment	Panoramic View Monitor System	INFO
		Advanced Park	INFO
Replacement or removal and installation of 2 or more parts: <ul style="list-style-type: none"> • Front television camera assembly, Radiator grille or Front bumper assembly • Rear television camera assembly • Side television camera assembly LH, Parking assist light LH or Outer rear view mirror assembly LH • Side television camera assembly RH, Parking assist light RH or Outer rear view mirror assembly RH 	Television camera view adjustment	Panoramic View Monitor System	INFO
*1: Even when not replacing the part, it is necessary to perform the specified necessary procedures after installation.			

CAUTION / NOTICE / HINT

COMPONENTS (REMOVAL)



PROCEDURE		PART NAME CODE			
1	FAN WITH MOTOR ASSEMBLY	-	-	-	-
2	RADIATOR ASSEMBLY	16400	INFO	-	-
3	RADIATOR SUPPORT CUSHION	16523A	-	-	-
4	RADIATOR SUPPORT GROMMET	16533C	-	-	-
5	RADIATOR DRAIN COCK PLUG	16400B	-	-	-

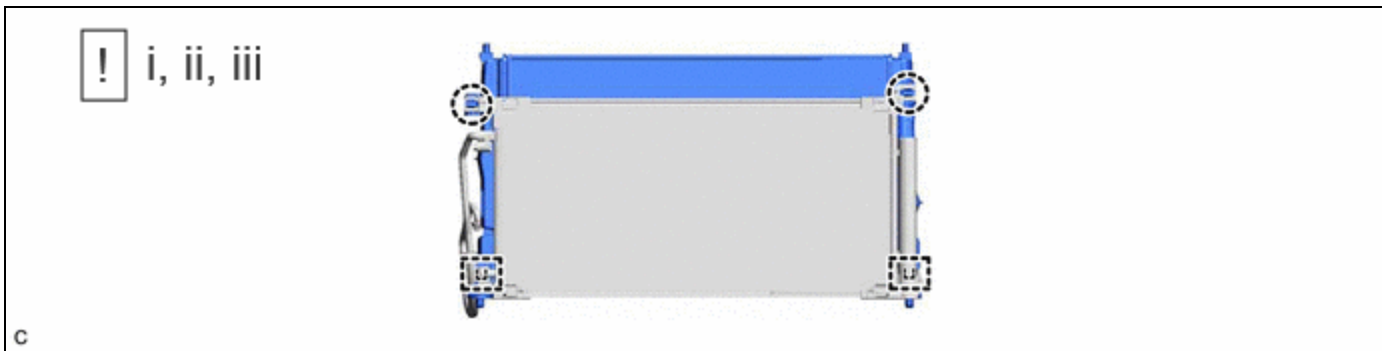
*1	O-RING	-	-
----	--------	---	---

PROCEDURE

1. REMOVE FAN WITH MOTOR ASSEMBLY

Click here **INFO**

2. REMOVE RADIATOR ASSEMBLY



(1) Disengage the 2 claws.

(2) Disengage the 2 guides to separate the cooler condenser assembly from the radiator assembly.

NOTICE:

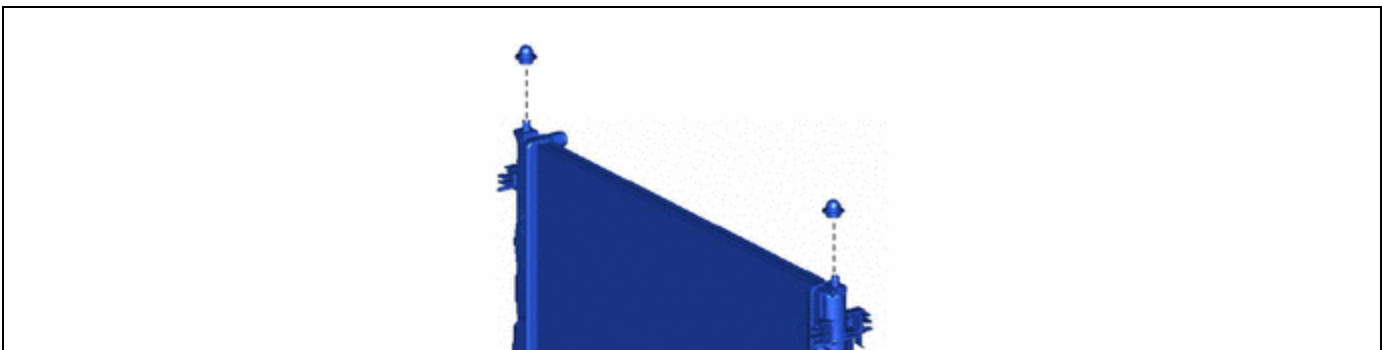
Make sure not to damage the cooler condenser assembly when separating the cooler condenser assembly.

(3) Remove the radiator assembly from the vehicle body.

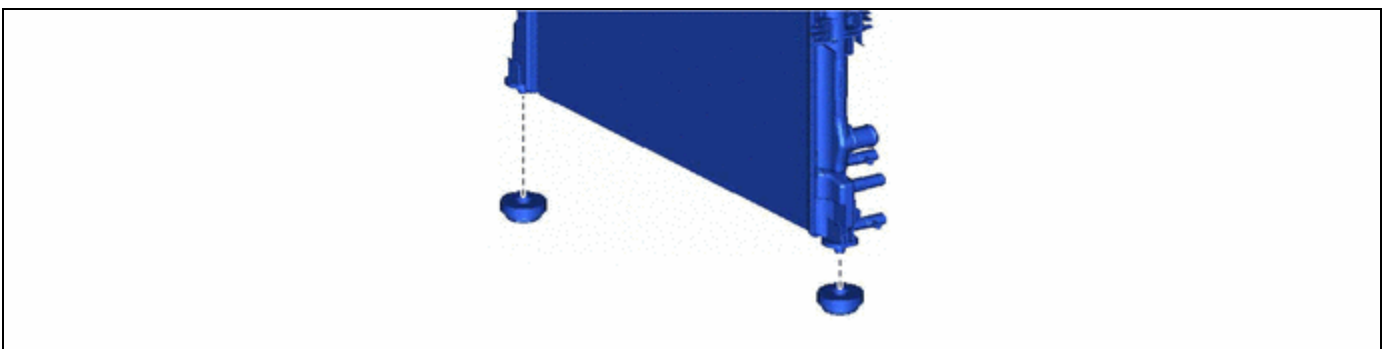
NOTICE:

Do not apply excessive force to the cooler condenser assembly or pipe when removing the radiator assembly.

3. REMOVE RADIATOR SUPPORT CUSHION



4. REMOVE RADIATOR SUPPORT GROMMET



5. REMOVE RADIATOR DRAIN COCK PLUG

