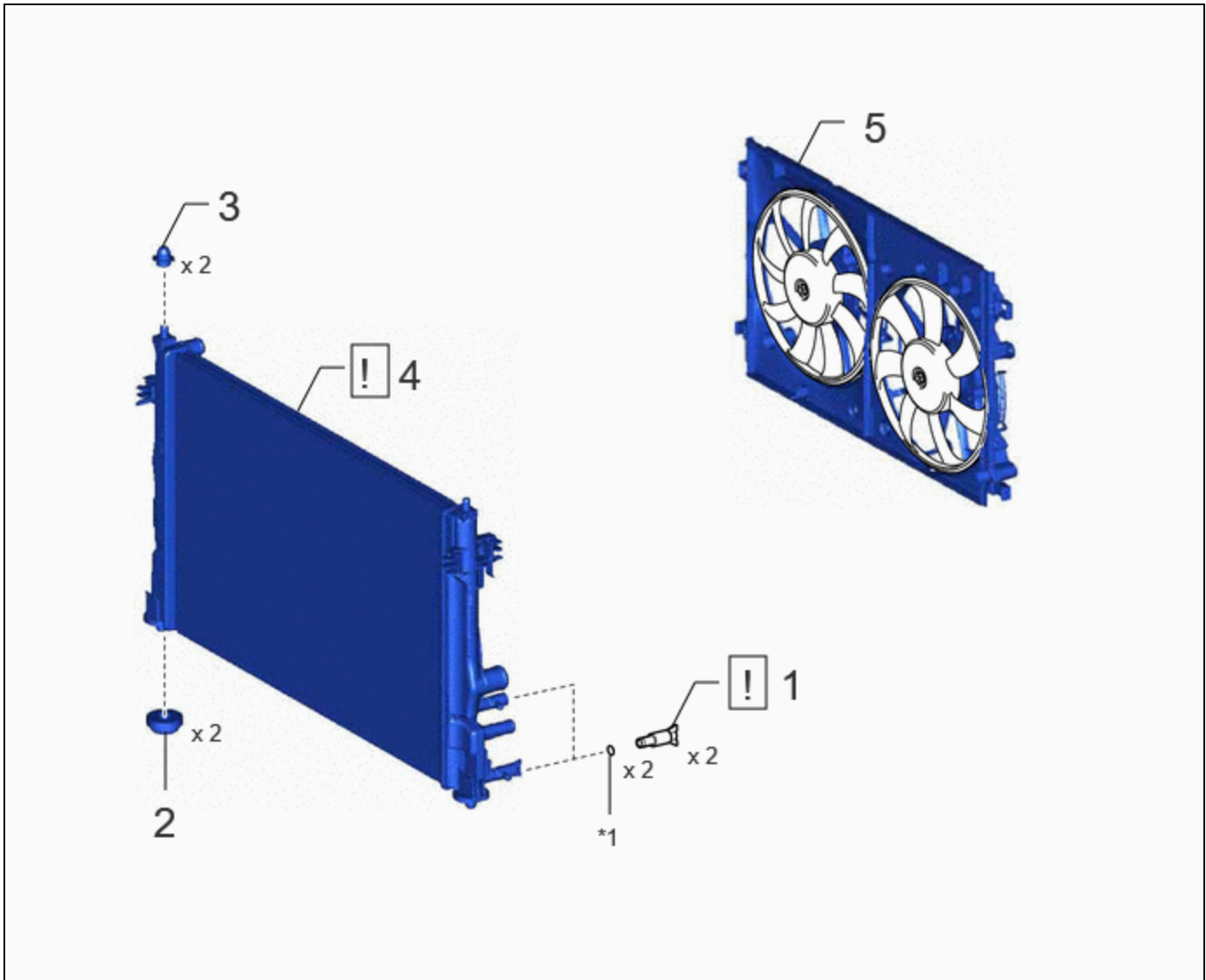


<b>Last Modified:</b> 12-04-2024	6.11:8.1.0	<b>Doc ID:</b> RM1000000029ITK
<b>Model Year Start:</b> 2023	<b>Model:</b> Prius	<b>Prod Date Range:</b> [12/2022 - ]
<b>Title:</b> M20A-FXS (COOLING): RADIATOR: INSTALLATION; 2023 - 2024 MY Prius [12/2022 - ]		




## INSTALLATION

### CAUTION / NOTICE / HINT

#### COMPONENTS (INSTALLATION)



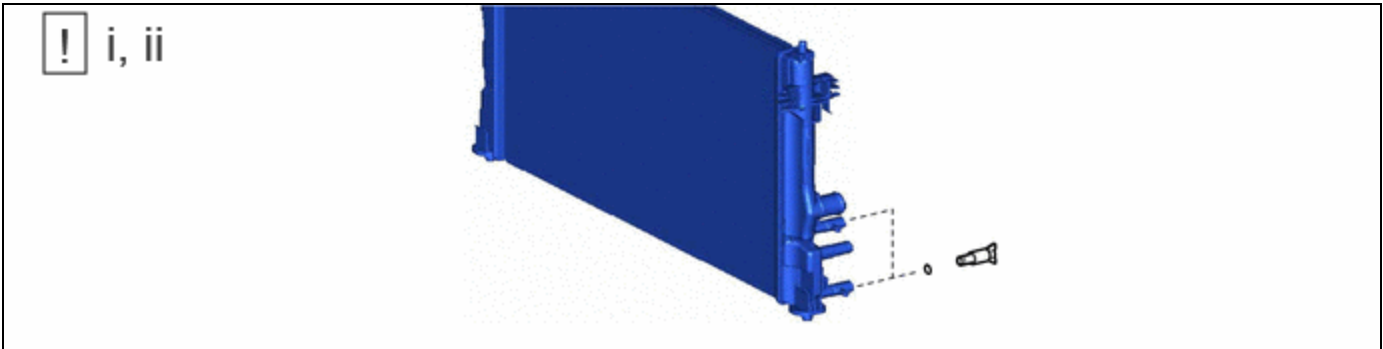
PROCEDURE		PART NAME CODE	!	📄	⚙️
1	RADIATOR DRAIN COCK PLUG	16400B	INFO	-	-
2	RADIATOR SUPPORT GROMMET	16533C	-	-	-
3	RADIATOR SUPPORT CUSHION	16523A	-	-	-

	PROCEDURE	PART NAME CODE			
4	RADIATOR ASSEMBLY	16400	<b>INFO</b>	-	-
5	FAN WITH MOTOR ASSEMBLY	-	-	-	-

*1	O-RING	-	-
----	--------	---	---

## PROCEDURE

### 1. INSTALL RADIATOR DRAIN COCK PLUG



(1) Install the O-ring to each radiator drain cock plug.

**NOTICE:**

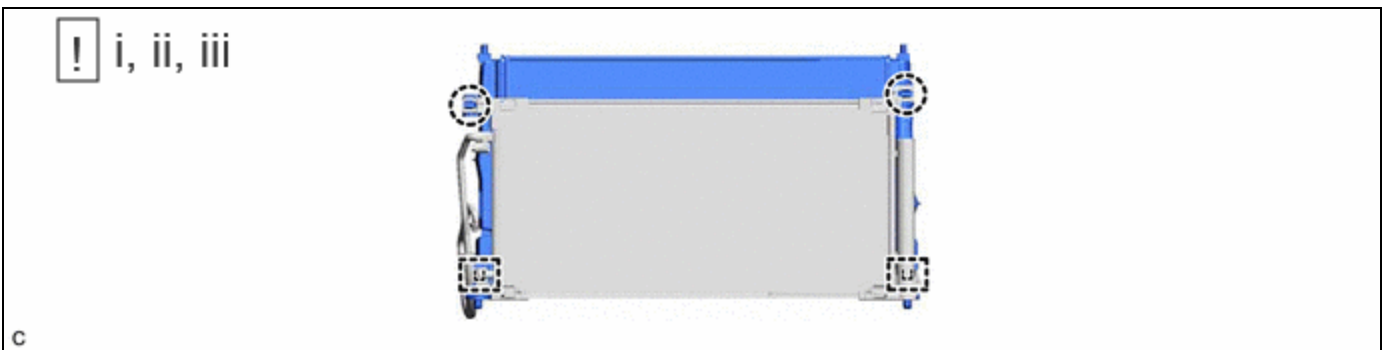
Replace the O-ring if it is damaged.

(2) Install the 2 radiator drain cock plugs.

### 2. INSTALL RADIATOR SUPPORT GROMMET

### 3. INSTALL RADIATOR SUPPORT CUSHION

### 4. INSTALL RADIATOR ASSEMBLY



(1) Install the radiator assembly to the vehicle body.

**NOTICE:**

Do not apply excessive force to the cooler condenser assembly or pipe when installing the radiator assembly.

(2) Engage the 2 guides.

(3) Engage the 2 claws to install the cooler condenser assembly to the radiator assembly.

**NOTICE:**

Do not damage the cooler condenser assembly when installing the cooler condenser assembly.

**5. INSTALL FAN WITH MOTOR ASSEMBLY**

Click here [INFO](#)

