

| | | |
|--|---------------------------|--------------------------------------|
| Last Modified: 12-04-2024 | 6.11:8.1.0 | Doc ID: RM1000000028XB2 |
| Model Year Start: 2023 | Model: Prius Prime | Prod Date Range: [12/2022 -] |
| Title: M20A-FXS (LUBRICATION): OIL PRESSURE SWITCHING VALVE: REMOVAL; 2023 - 2024 MY Prius Prius Prime [12/2022 -] | | |

REMOVAL

CAUTION / NOTICE / HINT

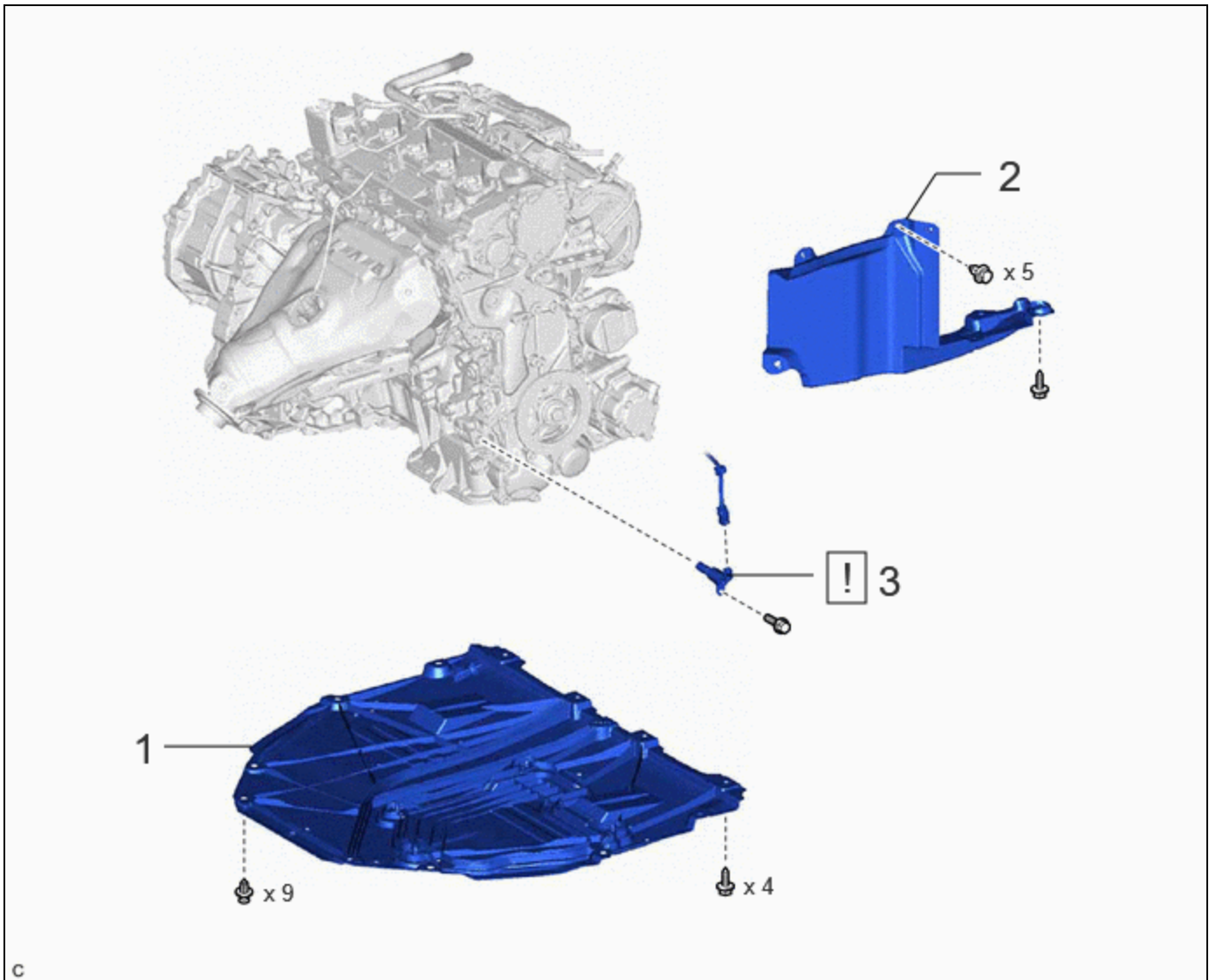
NOTICE:




This procedure includes the removal of small-head bolts. Refer to Small-Head Bolts of Basic Repair Hint to identify the small-head bolts.

Click here [INFO](#)

CAUTION / NOTICE / HINT

COMPONENTS (REMOVAL)



| | PROCEDURE | PART NAME CODE |  |  |  |
|---|-------------------------------------|----------------|---|---|---|
| 1 | NO. 1 ENGINE UNDER COVER ASSEMBLY | 51410 | - | - | - |
| 2 | REAR ENGINE UNDER COVER RH | 51443C | - | - | - |
| 3 | OIL PRESSURE CONTROL VALVE ASSEMBLY | 15250 | INFO | - | - |

PROCEDURE

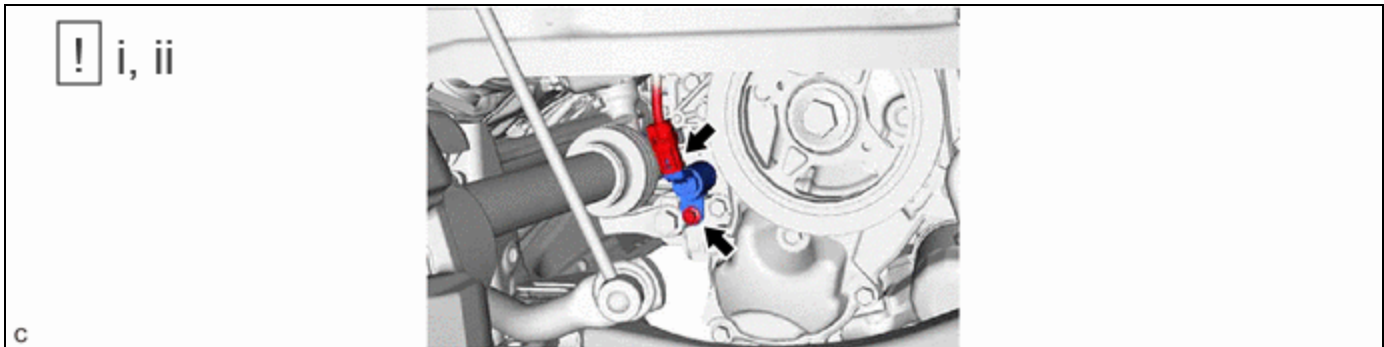
1. REMOVE NO. 1 ENGINE UNDER COVER ASSEMBLY

Click here [INFO](#)

2. REMOVE REAR ENGINE UNDER COVER RH

Click here [INFO](#)

3. REMOVE OIL PRESSURE CONTROL VALVE ASSEMBLY



- (1) Disconnect the oil pressure control valve assembly connector.
- (2) Using an 8 mm socket wrench, remove the bolt and oil pressure control valve assembly from the No. 2 timing chain cover assembly.

NOTICE:

If the oil pressure control valve assembly is dropped or subjected to a strong impact, replace it with a new one.

