

<b>Last Modified:</b> 12-04-2024	6.11:8.1.0	<b>Doc ID:</b> RM1000000028XB3
<b>Model Year Start:</b> 2023	<b>Model:</b> Prius Prime	<b>Prod Date Range:</b> [12/2022 - ]
<b>Title:</b> M20A-FXS (LUBRICATION): OIL PRESSURE SWITCHING VALVE: INSTALLATION; 2023 - 2024 MY Prius Prius Prime [12/2022 - ]		

## INSTALLATION

### CAUTION / NOTICE / HINT

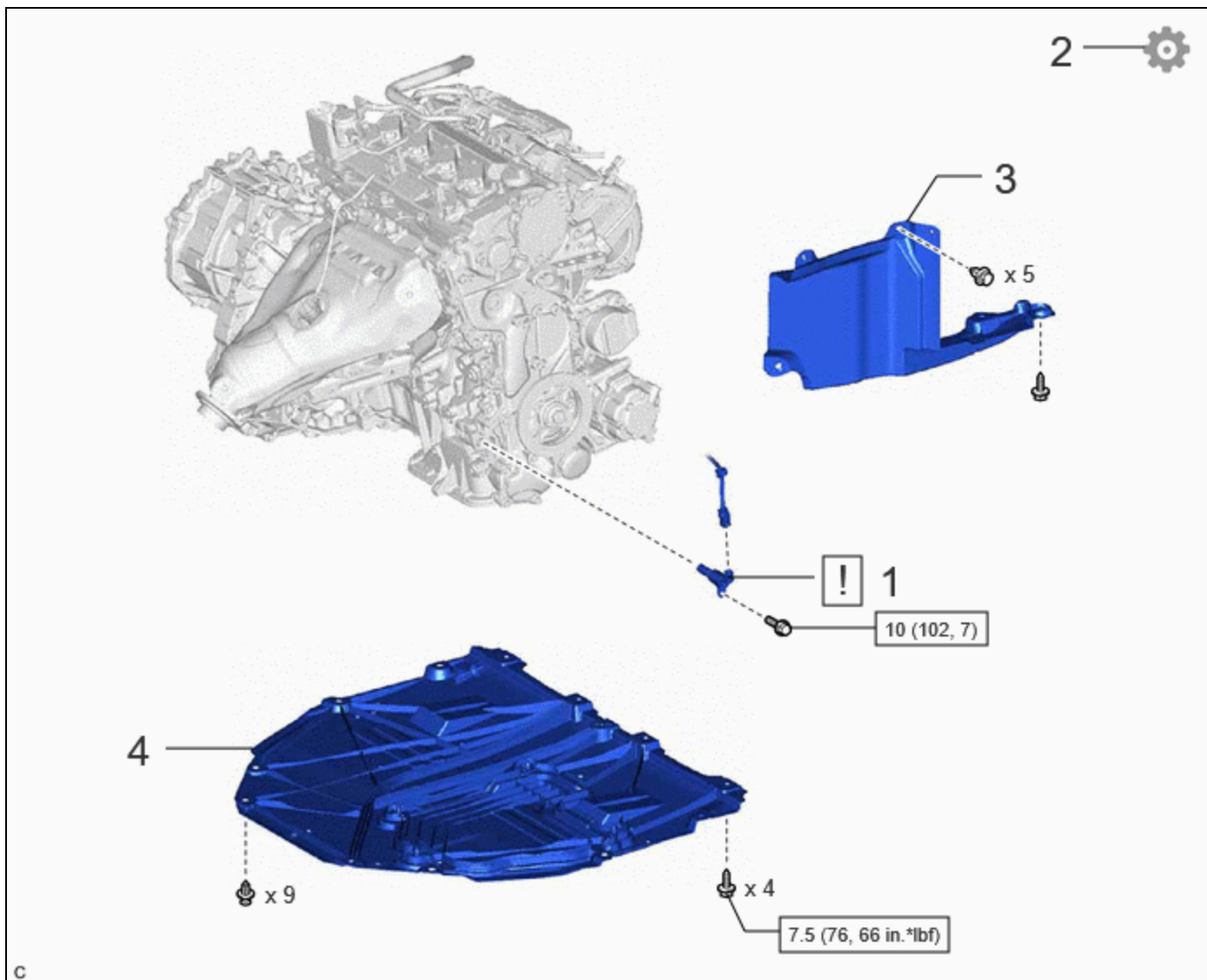
#### NOTICE:




This procedure includes the installation of small-head bolts. Refer to Small-Head Bolts of Basic Repair Hint to identify the small-head bolts.

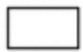
Click here [INFO](#)

### CAUTION / NOTICE / HINT

#### COMPONENTS (INSTALLATION)

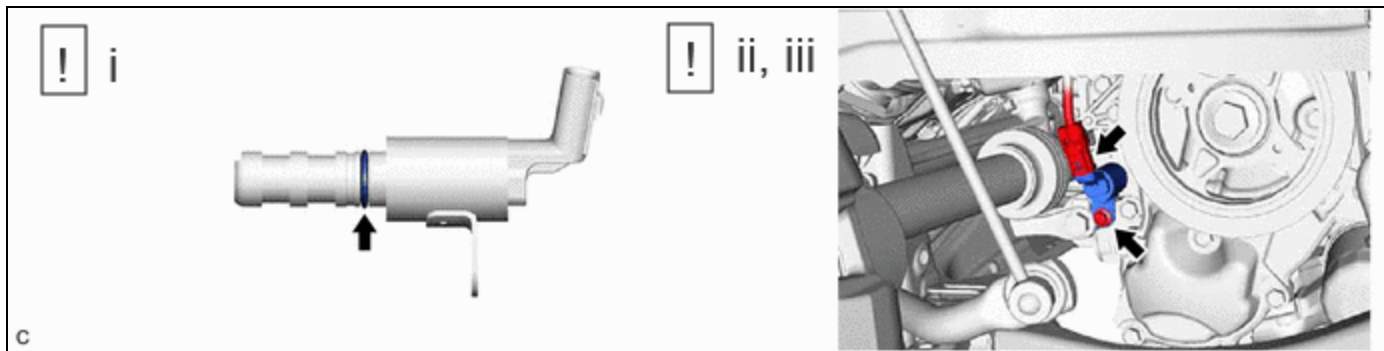


PROCEDURE	PART NAME CODE			
1 OIL PRESSURE CONTROL VALVE ASSEMBLY	15250	<a href="#">INFO</a>	-	-
2 INSPECT FOR ENGINE OIL LEAK	-	-	-	<a href="#">INFO</a>
3 REAR ENGINE UNDER COVER RH	51443C	-	-	-
4 NO. 1 ENGINE UNDER COVER ASSEMBLY	51410	-	-	-

	N*m (kgf*cm, ft.*lbf): Specified torque	-	-
---	---	---	---

## PROCEDURE

### 1. INSTALL OIL PRESSURE CONTROL VALVE ASSEMBLY



- (1) Apply a small amount of engine oil to the O-ring of the oil pressure control valve assembly.
- (2) Using an 8 mm socket wrench, install the oil pressure control valve assembly to the No. 2 timing chain cover assembly with the bolt.

**Torque:**

**10 N·m {102 kgf·cm, 7 ft·lbf}**

**NOTICE:**

- When reusing the oil pressure control valve assembly, inspect the O-ring.
- Make sure that the O-ring is not cracked or does not move out of place during installation.
- If the oil pressure control valve assembly is dropped or subjected to a strong impact, replace it with a new one.

- (3) Connect the oil pressure control valve assembly connector.

### 2. INSPECT FOR ENGINE OIL LEAK

Click here [INFO](#)

### 3. INSTALL REAR ENGINE UNDER COVER RH

### 4. INSTALL NO. 1 ENGINE UNDER COVER ASSEMBLY

Click here [INFO](#)

