

Last Modified: 12-04-2024	6.11:8.1.0	Doc ID: RM1000000028XB7
Model Year Start: 2023	Model: Prius Prime	Prod Date Range: [12/2022 -]
Title: M20A-FXS (LUBRICATION): OIL PAN AND OIL LEVEL SENSOR: INSPECTION; 2023 - 2024 MY Prius Prius Prime [12/2022 -]		

INSPECTION

PROCEDURE

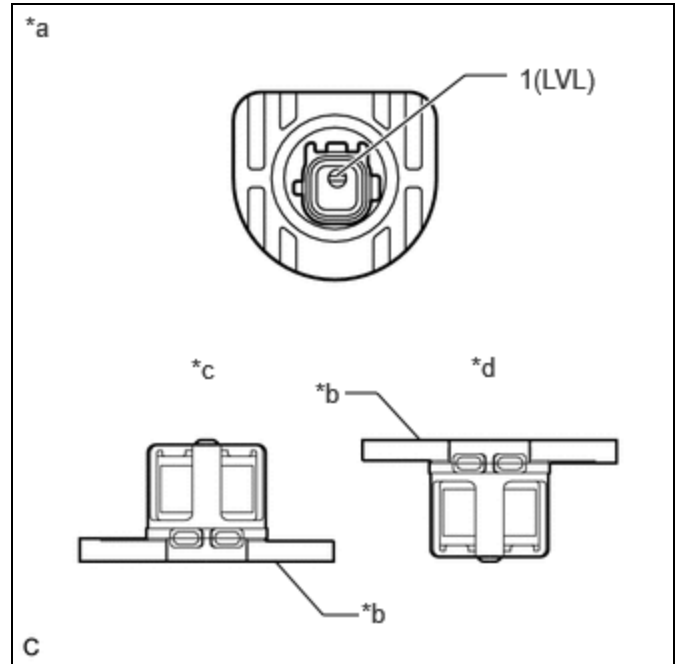
1. INSPECT ENGINE OIL LEVEL SENSOR

(a) Measure the resistance according to the value(s) in the table below.

Standard Resistance:

TESTER CONNECTION	CONDITION	SPECIFIED CONDITION	RESULT
1(LVL) - Engine oil level sensor body	ON	Below 1 Ω	Ω
1(LVL) - Engine oil level sensor body	OFF	10 kΩ or higher	kΩ

If the result is not as specified, replace the engine oil level sensor.



*a	Component without harness connected (Engine Oil Level Sensor)
*b	Engine Oil Level Sensor Body
*c	ON
*d	OFF

