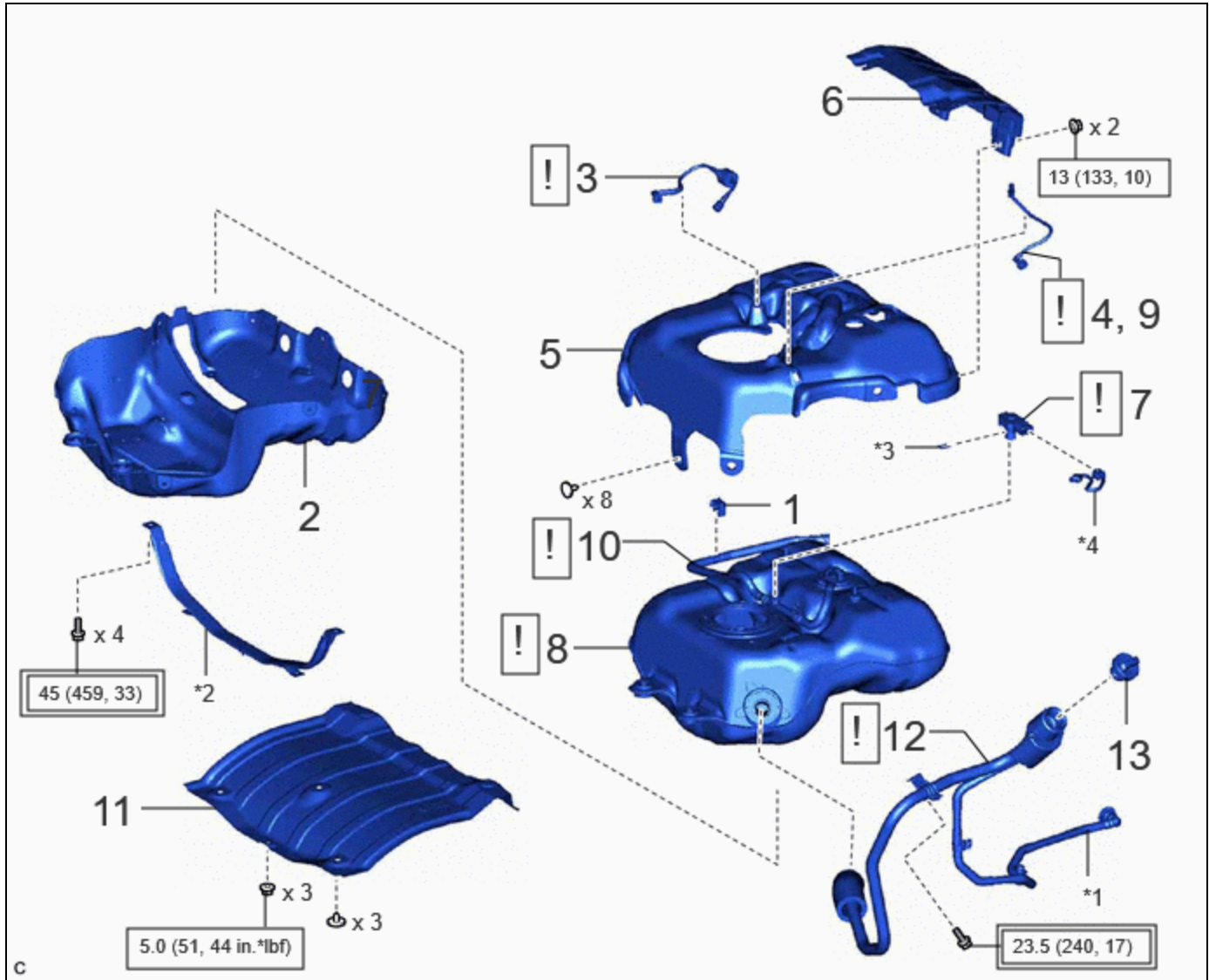


Last Modified: 12-04-2024	6.11:8.1.0	Doc ID: RM100000002B0HX
Model Year Start: 2023	Model: Prius Prime	Prod Date Range: [03/2023 -]
Title: M20A-FXS (FUEL): FUEL TANK (for PHEV Model): INSTALLATION; 2023 - 2024 MY Prius Prime [03/2023 -]		




INSTALLATION



CAUTION / NOTICE / HINT

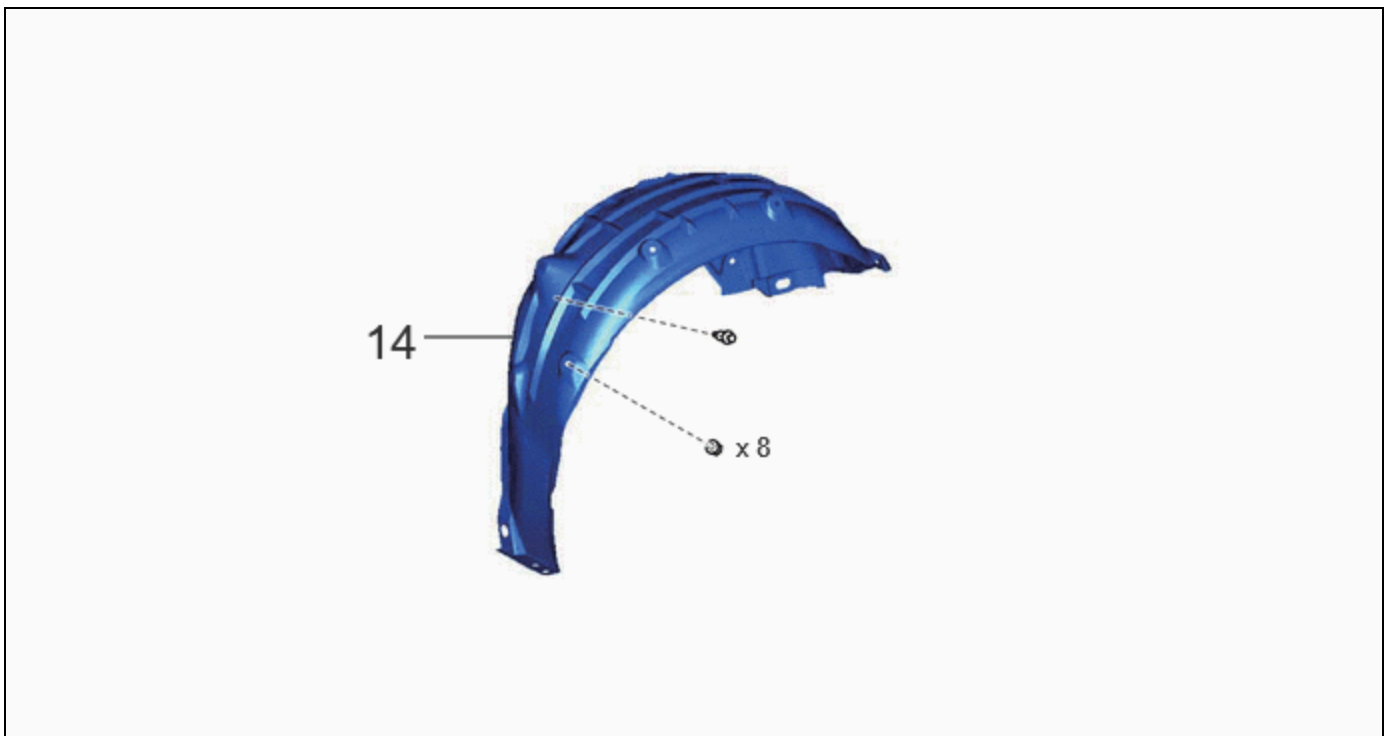
COMPONENTS (INSTALLATION)






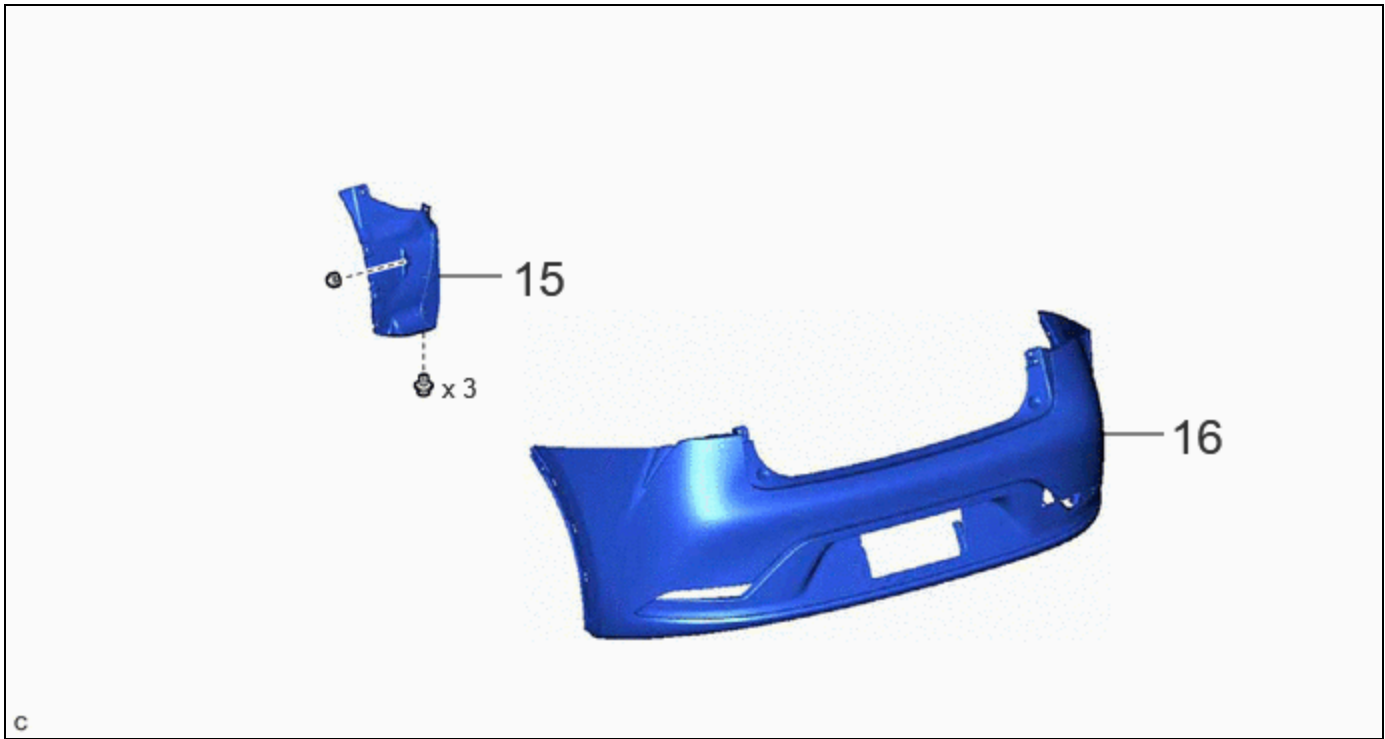
PROCEDURE		PART NAME CODE	!	📄	⚙️
1	NO. 2 EVAPORATION VENT TUBE CLAMP	77197F	-	-	-
2	NO. 1 FUEL TANK PROTECTOR SUB-ASSEMBLY	77606	-	-	-




	PROCEDURE	PART NAME CODE			
3	FUEL TANK EVAPORATION VENT TUBE SUB-ASSEMBLY	77018E	INFO	-	-
4	INSTALL FUEL TANK MAIN TUBE SUB-ASSEMBLY	77209F	-	-	-
5	UPPER FUEL TANK COVER	77611F	-	-	-
6	NO. 2 FUEL TANK PROTECTOR SUB-ASSEMBLY	77607C	-	-	-
7	FUEL TANK PRESSURE SENSOR (VAPOR PRESSURE SENSOR)	89461	INFO	-	-
8	FUEL TANK SUB-ASSEMBLY	77100U	INFO	-	-
9	CONNECT FUEL TANK MAIN TUBE SUB-ASSEMBLY	77209F	INFO	-	-
10	NO. 2 FUEL TANK BREATHER TUBE SUB-ASSMBLY	-	INFO	-	-
11	UPPER MAIN MUFFLER HEAT INSULATOR	58327D	-	-	-
12	FUEL TANK FILLER PIPE ASSEMBLY	77210	INFO	-	-
13	FUEL TANK CAP ASSEMBLY	77310A	-	-	-

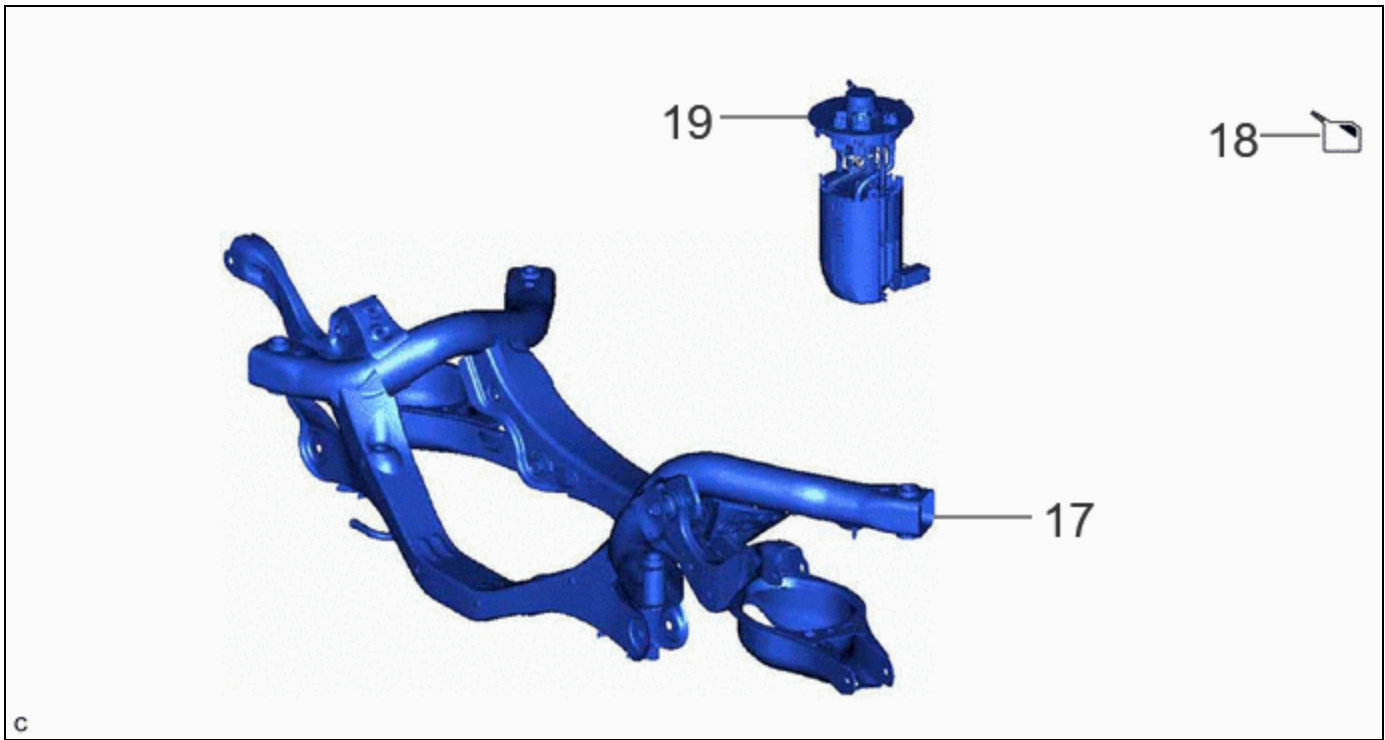
*1	NO. 6 FUEL TANK BREATHER TUBE	*2	FUEL TANK BAND SUB-ASSEMBLY
*3	TUBE JOINT CLIP	*4	FUEL GAUGE WIRE
	Tightening torque for "Major areas involving basic vehicle performance such as moving/turning/stopping": N*m (kgf*cm, ft.*lbf)		N*m (kgf*cm, ft.*lbf): Specified torque



PROCEDURE		PART NAME CODE			
14	REAR WHEEL HOUSE LINER LH	65638	-	-	-



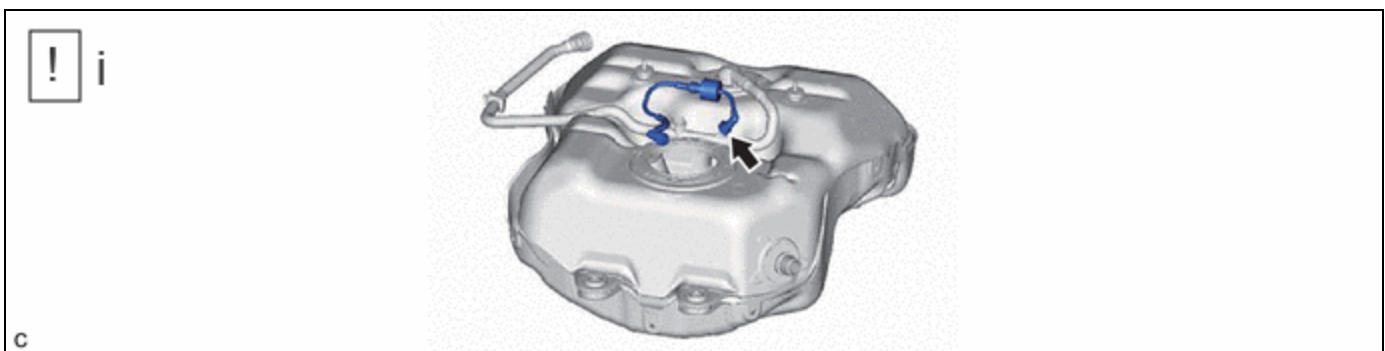
PROCEDURE		PART NAME CODE			
15	REAR BUMPER SIDE SEAL LH	52592	-	-	-
16	REAR BUMPER ASSEMBLY	-	-	-	-



PROCEDURE		PART NAME CODE			
17	REAR SUSPENSION MEMBER SUB-ASSEMBLY	51206A	-	-	-
18	ADD FUEL	-	-	INFO	-
19	FUEL SUCTION TUBE WITH PUMP AND GAUGE ASSEMBLY	77020A	-	-	-

PROCEDURE

1. INSTALL NO. 2 EVAPORATION VENT TUBE CLAMP
2. INSTALL NO. 1 FUEL TANK PROTECTOR SUB-ASSEMBLY
3. CONNECT FUEL TANK EVAPORATION VENT TUBE SUB-ASSEMBLY



(1) Connect the fuel tank evaporation vent tube sub-assembly to the No. 2 fuel tank breather tube sub-assembly.

Click here [INFO](#)

4. INSTALL FUEL TANK MAIN TUBE SUB-ASSEMBLY

5. INSTALL UPPER FUEL TANK COVER

6. INSTALL NO. 2 FUEL TANK PROTECTOR SUB-ASSEMBLY


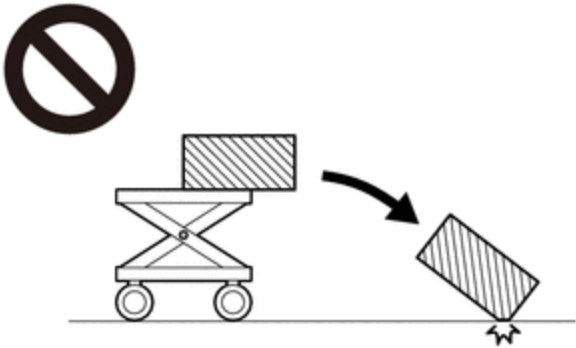
Torque:

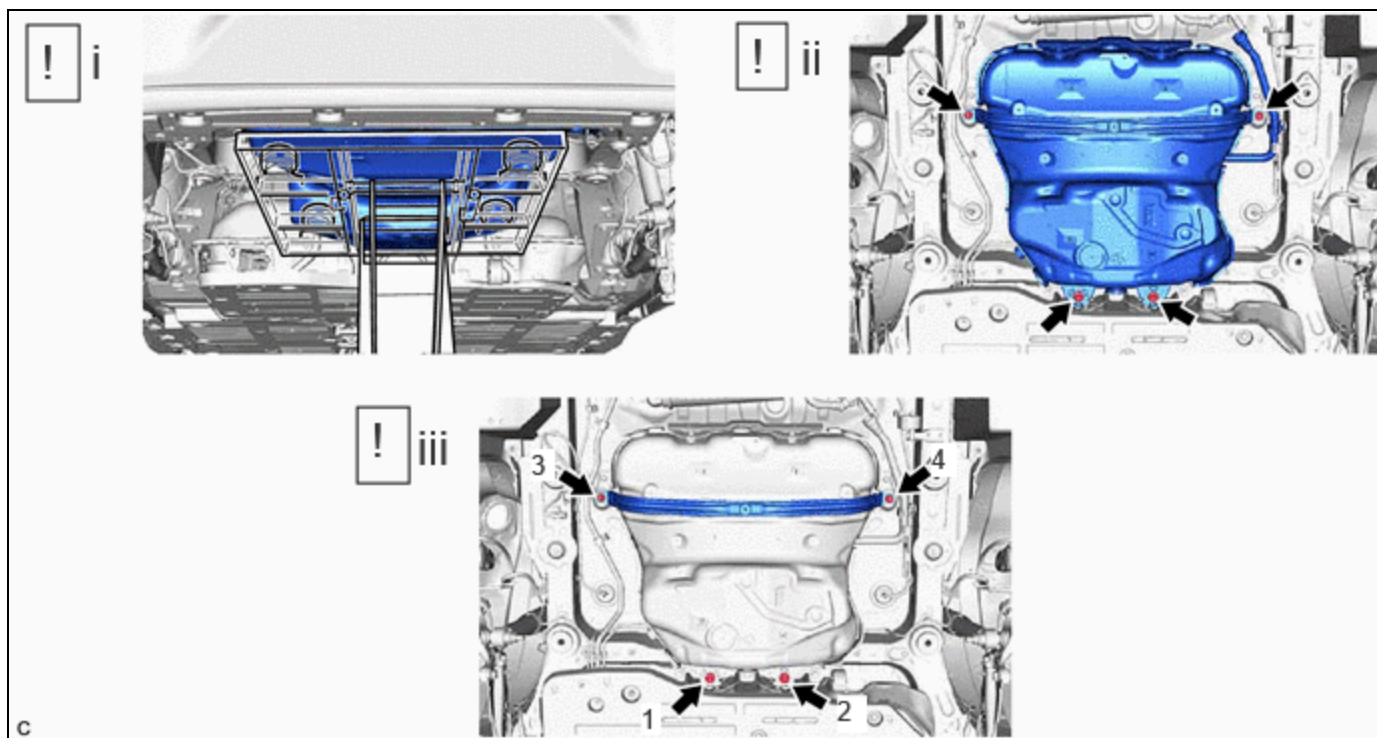
13 N·m {133 kgf·cm, 10 ft·lbf}

7. INSTALL FUEL TANK PRESSURE SENSOR (VAPOR PRESSURE SENSOR)

	Click here INFO
---	---------------------------------

8. INSTALL FUEL TANK SUB-ASSEMBLY

	<p>CAUTION:</p> <p>The fuel tank sub-assembly is very heavy. Be sure to follow the procedure described in the repair manual, or the fuel tank sub-assembly may fall off the engine lifter.</p>  <p>c</p>
--	---



(1) Set the fuel tank sub-assembly on an engine lifter.

NOTICE:

Using height adjustment attachments and plate lift attachments, keep the fuel tank sub-assembly horizontal.

(2) Using the engine lifter, slowly raise the fuel tank sub-assembly, and then temporarily install the fuel tank sub-assembly and the fuel tank band sub-assembly with the 4 bolts.

NOTICE:

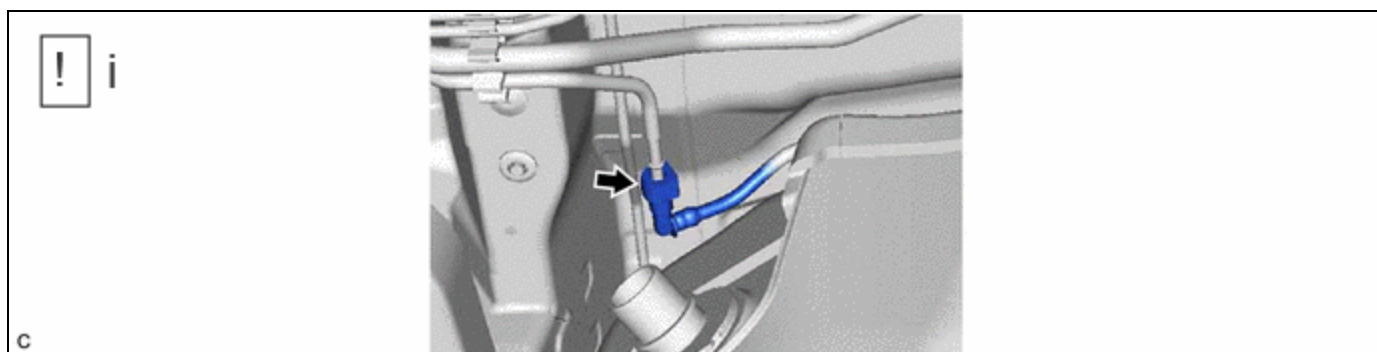
- Be careful not to drop the fuel tank sub-assembly.
- When installing the fuel tank sub-assembly, tilt it slightly to prevent it from interfering with the surrounding parts.

(3) Tighten the 4 bolts in the order shown in the illustration.

Torque:

45 N·m {459 kgf·cm, 33 ft·lbf}

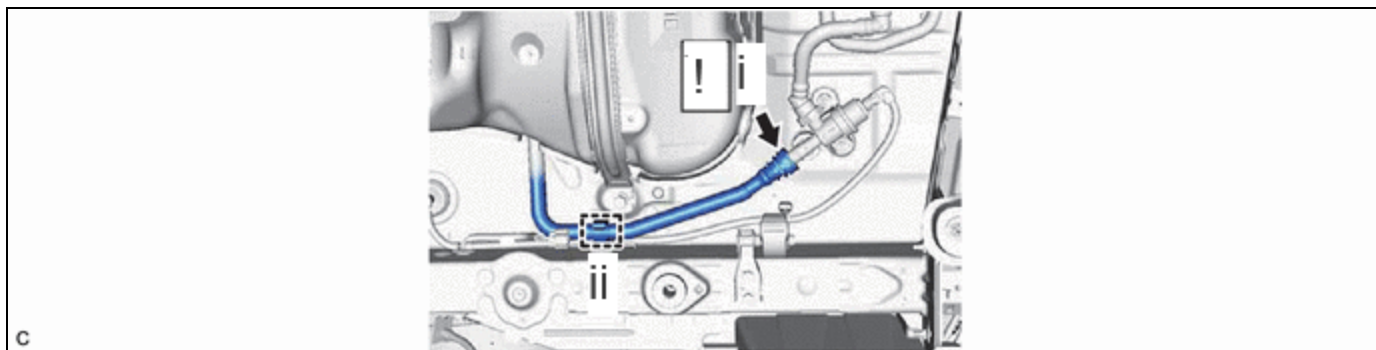
9. CONNECT FUEL TANK MAIN TUBE SUB-ASSEMBLY



(1) Connect the fuel tank main tube sub-assembly to the fuel pipe.

Click here [INFO](#)

10. CONNECT NO. 2 FUEL TANK BREATHER TUBE SUB-ASSMBLY



- (1) Connect the No. 2 fuel tank breather tube sub-assembly to the fuel vapor containment valve (close tank with bolt valve assembly).

Click here [INFO](#)

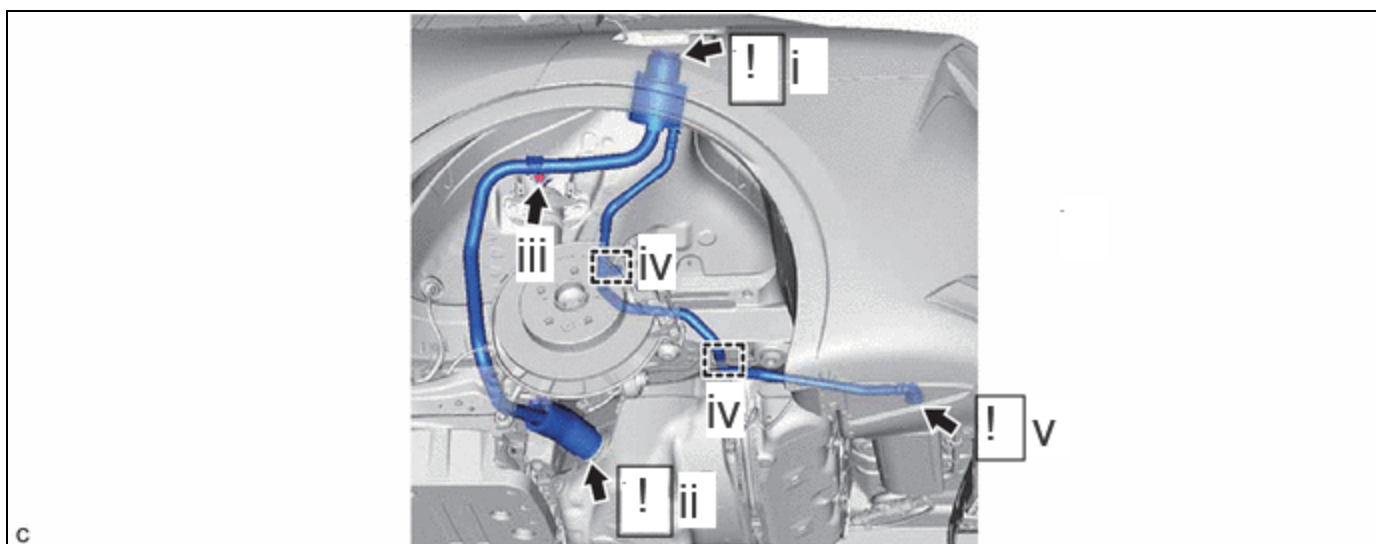
- (2) Engage the clamp.

11. INSTALL UPPER MAIN MUFFLER HEAT INSULATOR

Torque:

5.0 N·m {51 kgf·cm, 44 in·lbf}

12. INSTALL FUEL TANK FILLER PIPE ASSEMBLY



- (1) Engage the location shown in the illustration, and install the fuel tank filler pipe assembly to the vehicle body.
- (2) Connect the fuel tank filler pipe assembly to the fuel tank sub-assembly.

Click here [INFO](#)

- (3) Install the bolt.

Torque:

23.5 N·m {240 kgf·cm, 17 ft·lbf}

- (4) Engage the 2 clamps.
- (5) Connect the No. 6 fuel tank breather tube to the charcoal canister assembly.

Click here [INFO](#)

13. INSTALL FUEL TANK CAP ASSEMBLY

14. INSTALL REAR WHEEL HOUSE LINER LH

15. INSTALL REAR BUMPER SIDE SEAL LH

16. INSTALL REAR BUMPER ASSEMBLY

Click here [INFO](#)

17. INSTALL REAR SUSPENSION MEMBER SUB-ASSEMBLY

Click here [INFO](#)

18. ADD FUEL

19. INSTALL FUEL SUCTION TUBE WITH PUMP AND GAUGE ASSEMBLY

Click here [INFO](#)

